

SP.NO.

# Yamatake Corporation

# 製品仕様書 SPECIFICATIONS

Power Supply Voltage and Frequency:

Model No.	Voltage	Frequency	Shutter Voltage
C7012E1245	120V	50/60Hz	120V
C7012E1146	208V	50/60Hz	120V
C7012E1211	100V	50/60Hz	100V

Note: Model number with suffix letter D or T are sub-standard models with the followings.

---- D; Data attached

---- T; With varnish coated PWB and rust proof grease coated terminal

Allowable Voltage Range: 85% to 110%

Power Consumption: 7.0W max. at 60Hz

Temperature Range: Case ambient temperature; -29°C to +79°C

Temperature of flange surface; +79°C max.

Dielectric Strength: The device shall withstand a potential of AC1500V 50-60Hz applied for 1 minute between black leadwire and the case and between white leadwire and the case without breakdown.

Insulation Resistance: Insulation resistance between black leadwire and the case and between white leadwire and the case shall be more than 50MΩ with a DC500V megger.

Mounting: 3/4-14NPT (sighting pipe)

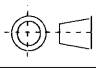
Leadwires: Six 2.4m long heat resistive vinyl leadwires

Case Material: Aluminum die cast

Devices used with (example): R4075C (Amplifier; R7247C)

R4332A/B, R4334A (Amplifier; R7247C)

RM7890A, RM7895A (Amplifier; R7847C)

作成DR. I.Harada		尺度 SCALE ~	記入のない公差TOL.UNLESS NOTED ~
検図CH	形番 MODEL	C7012E	
認可APPD. Seki	名称 NAME	Solid State UV Flame Detector	
日付DATE 8-6-96	図番 NO.	AD12263E	改番REV 01
頁 改番	REV.	RECORD	1/3

3 00

01

JEO03-0097

1-30-03

Harada Kadoya

2 00

改番

来歴

日付

担当

検閱

日付DATE

図番

AD12263E

改番REV

1/3

頁 改番

REV.

RECORD

DATE

BY

APPD.

8-6-96

NO.

01

SP.NO.

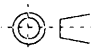
# Yamatake Corporation

## 製品仕様書 SPECIFICATIONS

Weight (Mass): Approx. 1.9kg  
 Standard for Housing: NEMA4 Watertight  
 Approval Standards: UL, CSA, FM

Caution in Use:

- (1) Confirm wiring after wiring connection. Miswiring may result in breakdown or misoperation.
- (2) Disconnect power supply before beginning wiring to terminals.
- (3) Power supply line and high tension cable of ignition transformer should be wired away from flame signal line.
- (4) When using the detection system under external light sources or environments as follows, take complete countermeasure for them.
  - Hot refractory above 1260°C
  - Welding arcs
  - Ignition transformers
  - Lightning
  - Sun lamps
  - Germicidal lamps
  - Flashlight
  - Diffraction analyzers
  - Radiographic X-ray machines
  - Electron microscopes
  - High voltage condensers
  - High voltage vacuum switches
  - Radioisotopes
  - Vapors
  - Soot
  - Vaporized oil
- (5) Do not install this device where,
  - Special chemicals or those vapors exist (sulfur, chlorine, acid, etc.)
  - exposed to high temperature
  - vibration continues for a long period of time
- (6) Mount the detector so that the arrow mark indicates downward.

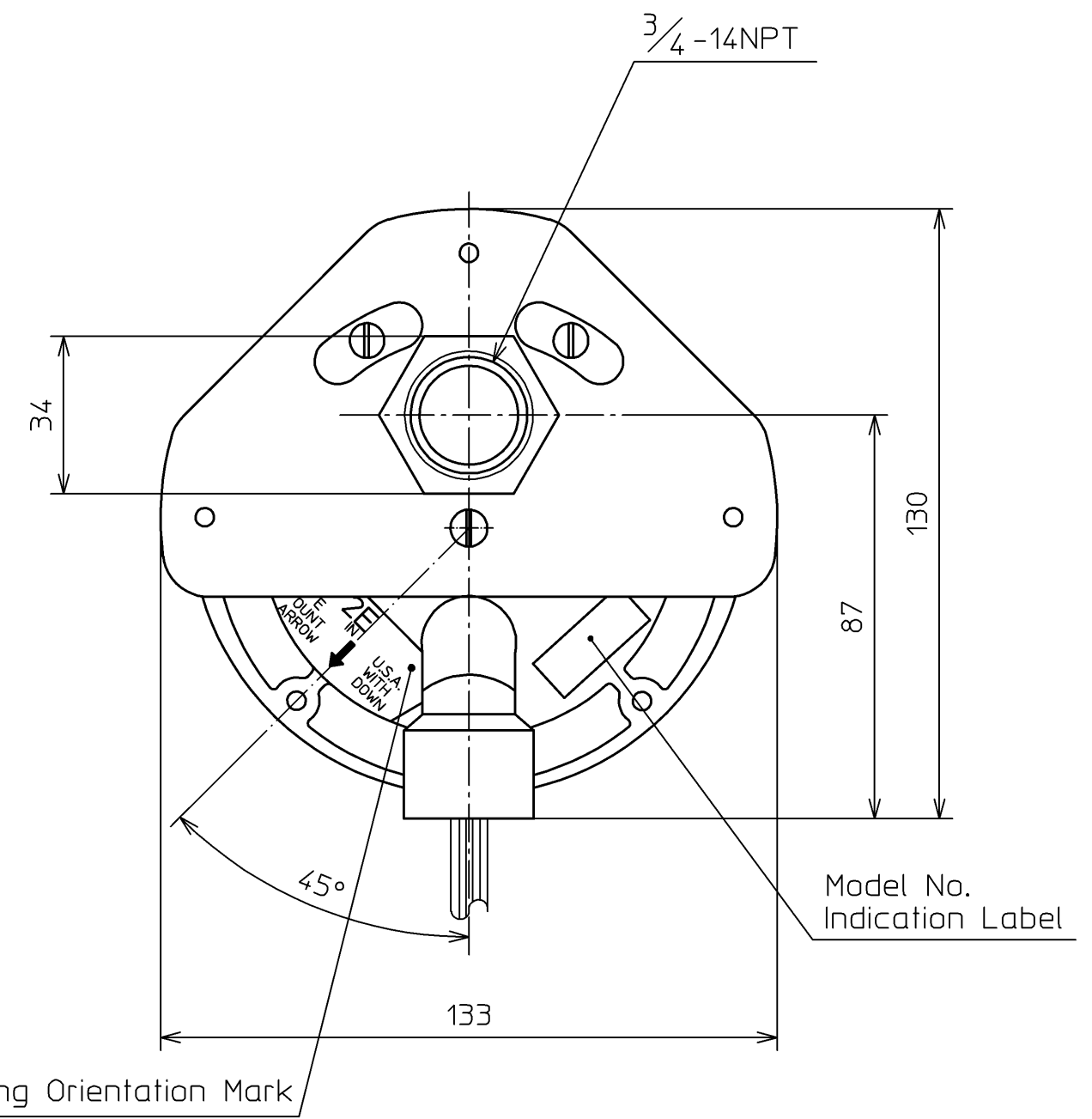
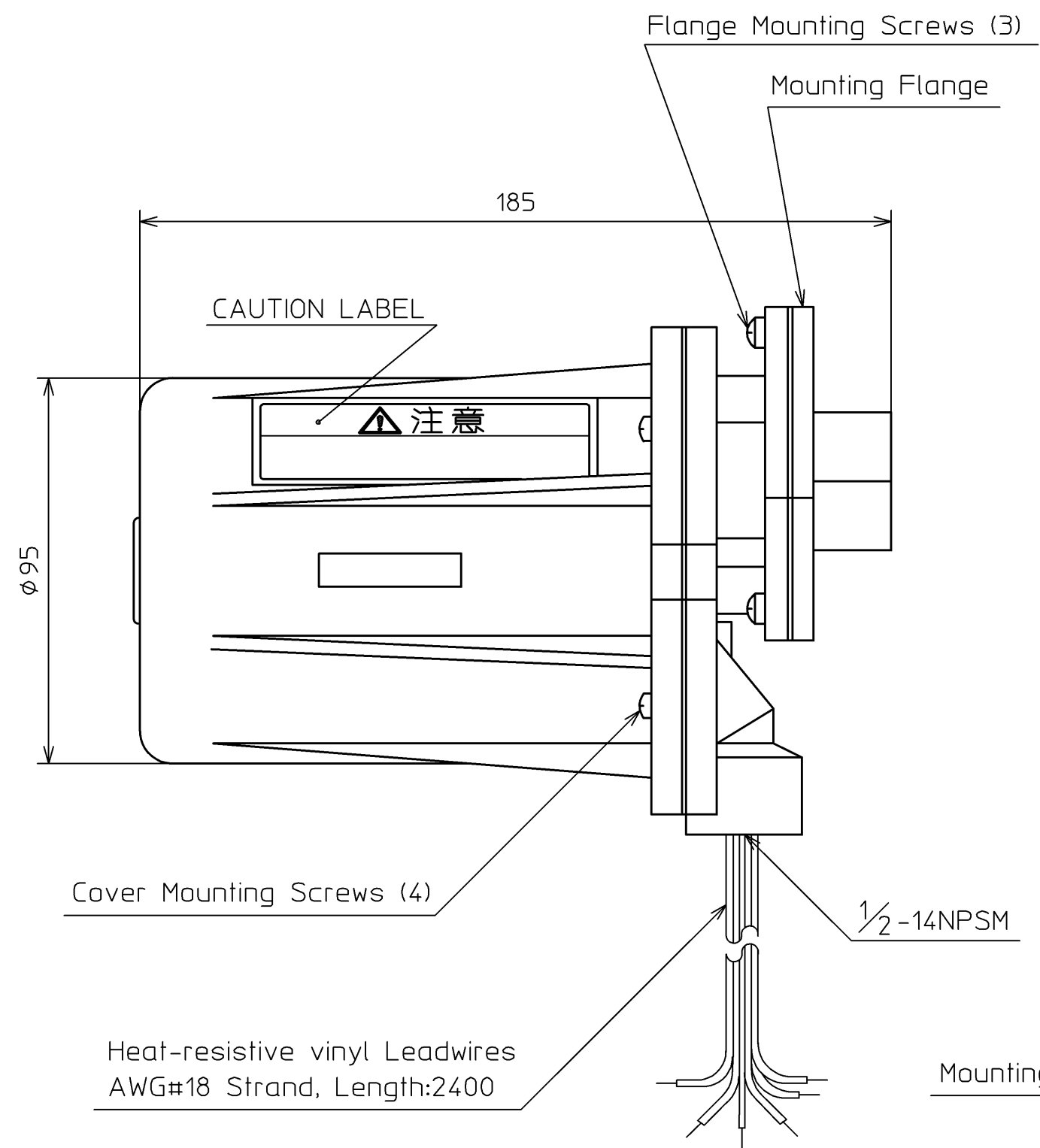
作成DR. I.Harada		尺度 SCALE ~	記入のない公差TOL.UNLESS NOTED ~
検図CHK	形番 MODEL	C7012E	
認可APPD. Seki	名称 NAME	Solid State UV Flame Detector	
日付DATE 8-6-96	図番 NO.	AD12263E	改番REV 00 / 2/3

頁	改番	REV.	記録 RECORD	日付 DATE	担当 BY	検図 APPD.
---	----	------	--------------	------------	----------	-------------

SP. No.

Yamatake Corporation

製品仕様書  
SPECIFICATIONS



頁  
PAGE

改番  
REV.

作成DR. S.Nakanishi 8.5.'96	尺度SCALE UN	記入のない公差 TOL. UNLESS NOTED
検図CHK. M.Ogido 8.5.'96	形番 MODEL	C7012E1146,E1211,E1245
認可APPD K.Murata 8.5.'96	名称 NAME	Solid State UV Flame Detector
日付DATE 8.5.'96	図番 NO.	AD12263E
	改番REV.	3/3

来歴  
RECORD

日付  
DATE

担当  
BY

検閲  
APPD.

SP.NO.

**Yamatake Corporation**

製品仕様書  
**SPECIFICATIONS**

“RESTRICTIONS ON USE”

This product has been designed, developed and manufactured for general-purpose application in machinery and equipment.

Accordingly, when used in applications outlined below, special care should be taken to implement a fail-safe and/or redundant design concept as well as a periodic maintenance program.

- Safety devices for plant worker protection
- Start/stop control devices for transportation and material handling machines
- Aeronautical/aerospace machines
- Control devices for nuclear reactors

Never use this product in applications where human safety may be put at risk.

1	00	00	First issue	12-2-02	Harada	Miura
頁	改番	改番	来歴	日付	担当	検閲
	REV.	REV.	RECORD	DATE	BY	APPD.