

SP.NO.

Yamatake Corporation

製品仕様書
SPECIFICATIONS

The C7012E is an ultraviolet flame detector for the low temperature application.

Power Supply Voltage and Frequency:

Model No.	Voltage	Frequency	Shutter Voltage
C7012E1120	120V	50 - 60Hz	120V

Allowable Voltage Range: 85% to 110%

Power Consumption: 7.0W max. at 60Hz

Temperature Range: Case ambient temperature; -40°C to +79°C
Temperature of flange surface; +79°C max.

Dielectric Strength: The device shall withstand a potential of AC1500V 50-60Hz applied for 1 minute between each black leadwire and the case without breakdown.

Insulation Resistance: Insulation resistance between each black leadwire and the case shall be more than 50MΩ with a DC500V megger.

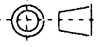
Mounting: 1-11 1/2NPT (sighting pipe)

Leadwires: Four 2.4m long heat resistive vinyl leadwires

Case Material: Aluminum die cast

Devices used with (example): R4075C (Amplifier; R7247C)

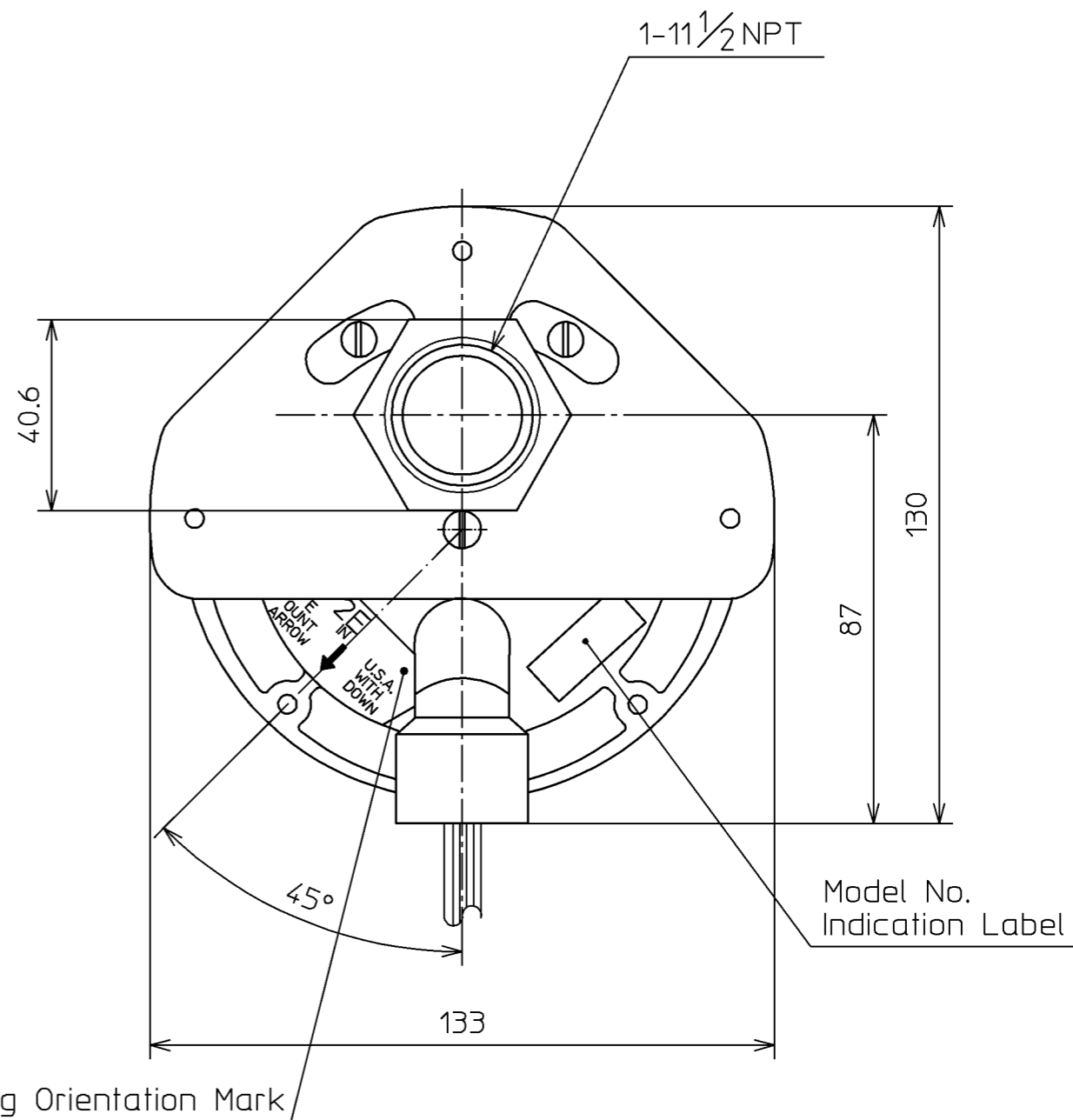
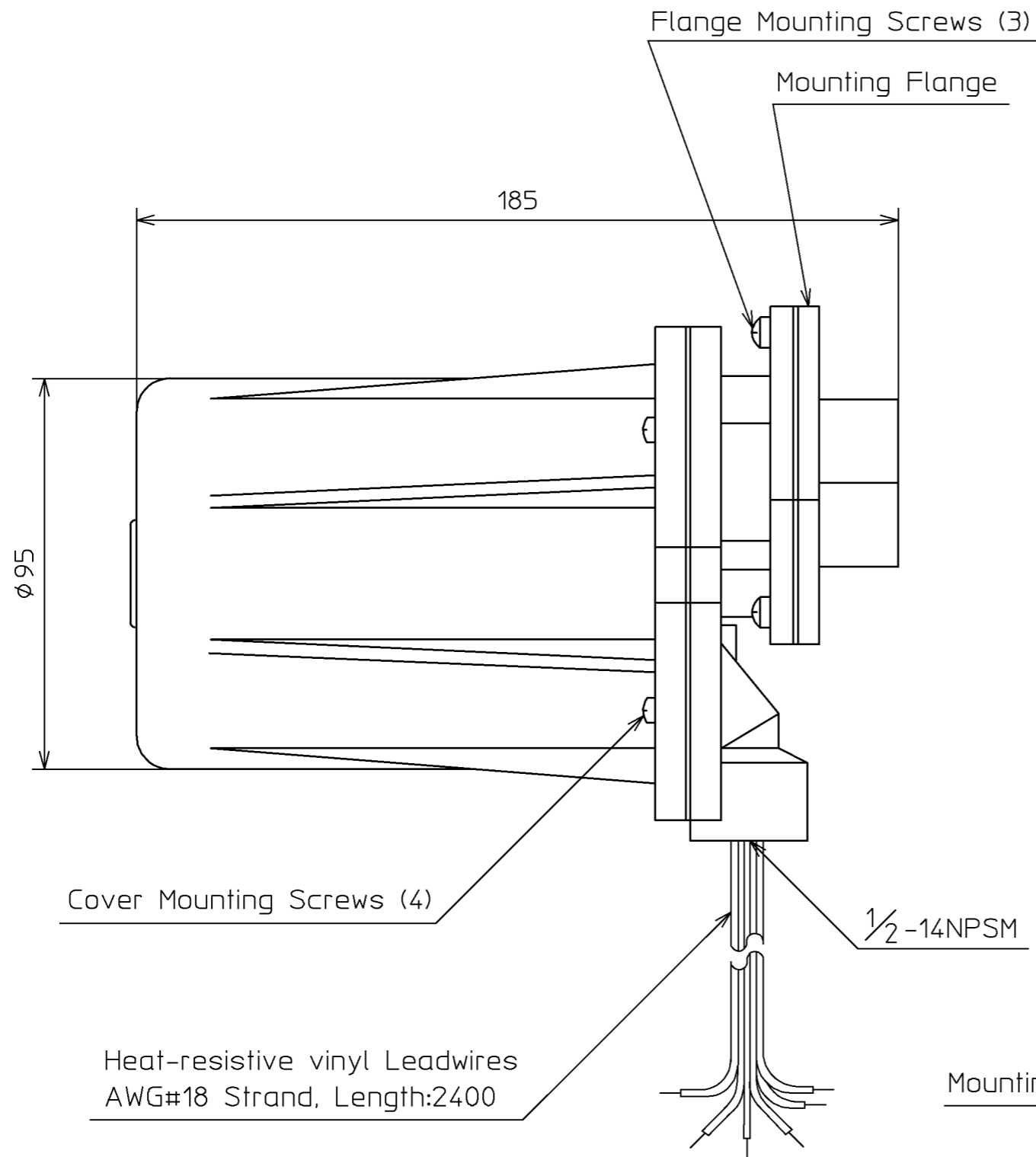
R4332A/B, R4334A (Amplifier; R7247C)

作成DR. S.Ishii		尺度 SCALE	記入のない公差TOL UNLESS NOTED
検図CHK H.Tabuse	形番 MODEL	C7012E1120	
認可APPD. S.Morio	名称 NAME	UV Flame Detector	
改番 REV.	来歴 RECORD	日付 DATE	担当 BY
2 02	JEO95-0739	11-24-95	I.H T.Y
頁 改番	改番 REV.	日付 DATE	担当 BY
3 02	RECORD	DATE	BY
		日付 DATE	検閱 APPD.
		2-17-94	
		図番 NO.	改番 REV.
		AD10638E	02
			1/3

SP. No.

Yamatake Corporation

製品仕様書
SPECIFICATIONS



頁 改番
PAGE REV.

02	JE095-0739	11.21.'95	S.Nakanishi	M.Ogido
01	1/2-14NPT-1/2-14NPSM	2.14.'94	M.A	M.Ogido
改番 REV.	来歴 RECORD	: 日付 DATE	担当 BY	検閲 APPD.

作成DR. Y.Tanaka Oct.23.'89	尺度SCALE UN	記入のない公差 TOL. UNLESS NOTED
検図CHK. M.Ogido 10.23.'89	形番 MODEL	C7012E1120
認可APPD. K.Murata 10.24.'89	名称 NAME	UV Flame Detector
日付DATE 11.21.'95	図番 NO.	AD10638E
	改番REV.	02 / 3

SP.NO.

Yamatake Corporation

製品仕様書
SPECIFICATIONS

“RESTRICTIONS ON USE”

This product has been designed, developed and manufactured for general-purpose application in machinery and equipment.

Accordingly, when used in applications outlined below, special care should be taken to implement a fail-safe and/or redundant design concept as well as a periodic maintenance program.

- Safety devices for plant worker protection
- Start/stop control devices for transportation and material handling machines
- Aeronautical/aerospace machines
- Control devices for nuclear reactors

Never use this product in applications where human safety may be put at risk.

1	00	00	First issue	12-2-02	Harada	Miura
頁	改番	改番	来歴	日付	担当	検閲
	REV.	REV.	RECORD	DATE	BY	APPD.