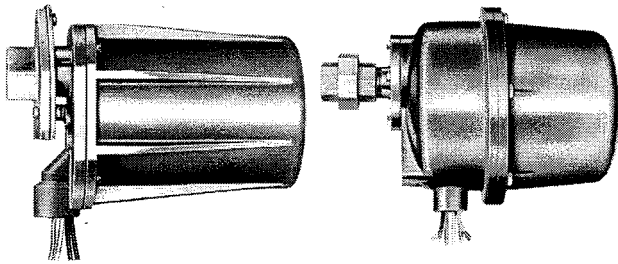


Flame Detectors

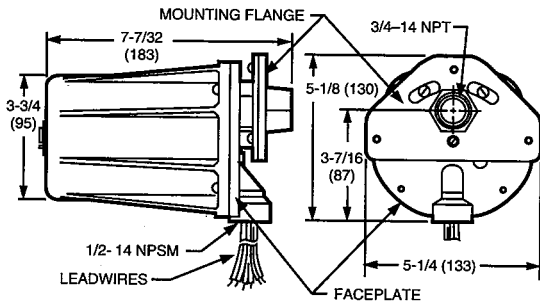
C7012 Solid State Purple Peeper® Ultraviolet Flame Detector



Solid state electronic flame detectors for use with Honeywell Flame Safeguard controls and amplifiers. Sense ultraviolet radiation produced by combustion of gas, oil, coal or other fuels.

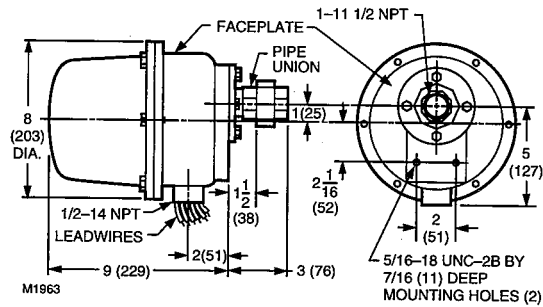
- Replace C7012 vacuum tube models.
- Mount horizontally, vertically or at any angle in between.
- Provide quick electrical hookup with threaded conduit fitting and color-coded leadwires.
- Reduced nuisance shutdowns by wiring two in parallel.

Dimension Diagrams



C7012A,C

M20275



M1963

Application: Gas fired burners

- Oil fired burners
- Coal fired burners

Type: Ultraviolet, Purple Peeper

Dimensions, Approximate: 5 1/4 in. diameter (includes mounting flange), 7 7/32 in. long (133 mm diameter (includes mounting flange), 183 mm long)

Electrical Ratings: 120 Vac

Frequency: 50 Hz, 60 Hz

Ambient Temperature Ratings: 25 F to 175 F (-4 C to 79 C)

Approvals:

Canadian Standards Association: Certified: Master Report LR95329-1

Factory Mutual: Approved: Report No. 14740.01

Industrial Risk Insurers: Acceptable

Underwriters Laboratories, Inc: Listed: File No. MP268, Guide No. MCCZ

Product Number	Electrical Connections	Lead Lengths		Mounting Method	NEMA Rating	Comments	Used With
		(inch)	(mm)				
C7012A1145	4 NEC Class 1 Color-coded leadwires.	8 ft.	2.4 m	3/4 in. NPT.	NEMA 4	For use with rectification flame signal amplifiers	Flame Amplifiers: R7247A, R7847A, R7257
C7012A1152	4 NEC Class 1 Color-coded leadwires.	8 ft.	2.4 m	1 in. NPT	NEMA 4	For use with rectification flame signal amplifiers	Flame Amplifiers: R7247A, R7847A, R7257
C7012A1160	4 NEC Class 1 Color-coded leadwires.	8 ft.	2.4 m	1 in. NPT	NEMA 4	For use with rectification flame signal amplifiers	Flame Amplifiers: R7247A, R7847A, R7257
C7012A1186	4 NEC Class 1 Color-coded leadwires.	8 ft.	2.4 m	3/4 in. NPT.	NEMA 4	For use with rectification flame signal amplifiers	Flame Amplifiers: R7247A, R7847A, R7257
C7012A1194	4 NEC Class 1 Color-coded leadwires.	8 ft.	2.4 m	3/4 in. NPT.	NEMA 4	For use with rectification flame signal amplifiers	Flame Amplifiers: R7247A, R7847A, R7257
C7012C1042	4 NEC Class 1 Color-coded leadwires.	8 ft.	2.4 m	1 in. NPT	Explosion Proof	Explosion-proof, two piece, violet, cast aluminum enclosure	Flame Amplifiers: R7247A, R7847A, R7257
C7012E1104	6 NEC Class 1 Color-coded leadwires.	8 ft.	2.4 m	3/4 in. NPT.	NEMA 4	Dynamic self-checking flame detector	Flame Amplifiers: R7247C, R7847C, R7747C
C7012E1112	6 NEC Class 1 Color-coded leadwires.	8 ft.	2.4 m	1 in. NPT	NEMA 4	Dynamic self-checking flame detector	Flame Amplifiers: R7247C, R7847C, R7747C
C7012E1120	6 NEC Class 1 Color-coded leadwires.	8 ft.	2.4 m	1 in. NPT	NEMA 4	Dynamic self-checking flame detector	Flame Amplifiers: R7247C, R7847C, R7747C
C7012E1146	6 NEC Class 1 Color-coded leadwires.	8 ft.	2.4 m	3/4 in. NPT.	NEMA 4	Dynamic self-checking flame detector	Flame Amplifiers: R7247C, R7847C, R7747C
C7012E1153	6 NEC Class 1 Color-coded leadwires.	8 ft.	2.4 m	3/4 in. NPT.	NEMA 4	Dynamic self-checking flame detector	Flame Amplifiers: R7247C, R7847C, R7747C