

製品仕様書

SPECIFICATIONS

GENERAL DESCRIPTION:

APN4701 is a case for cooling C7012A and C7012E Ultravisions with water.

SPECIFICATIONS:

Cooling Water Pressure: 2Kg/cm² max.

Material: SPCC

Color of Cover: Violet; Munsell 7.5D 4/6(approx.)
Ostwald 10Le

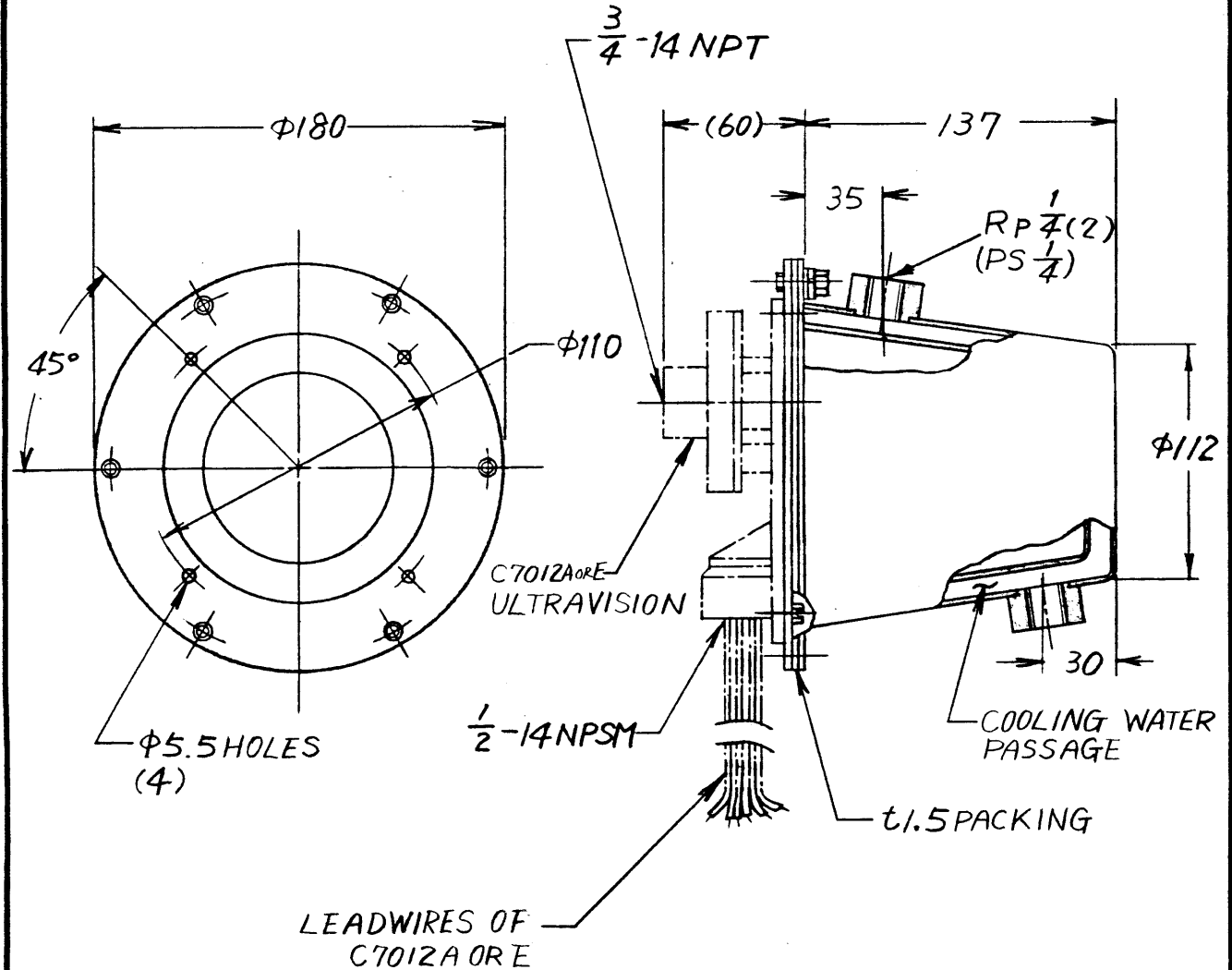
Accessories: Hex. head unified thread screw
#8-32UNC, Length 12mm - 4 pieces

作成 DRWN.	検 図 CHKD	承認 APPD.	日付 DATE
<i>Y. Morohashi</i> Mar. 26 '83	<i>J. Hiyoshi</i> Mar. 26 '83	<i>J. Hiyoshi</i> Mar. 26 '83	<i>87-3-26</i>
形 番 MODEL		APN4701	
名 称 NAME		WATER-COOLING CASE (C7012A, E)	
来歴 REV	日付 DATE	記事 DESCRIPTION	作成 DRWN
			検 図 CHKD
			図 番 DRWG.NO.
			1035E
			1/2
			改 番 REV.NO.

来歴 REV	日付 DATE	記事 DESCRIPTION	作成 DRWN	検 図 CHKD
-----------	------------	-------------------	------------	-------------

製品仕様書

SPECIFICATIONS



DIMENSIONS: MILLIMETER
TOLERANCES: ± 0.5

作成 DRWN.	検図 CHKD	承認 APPD.	日付 DATE
A. Sato	M. Ogino		
Mar. 23 '83	MAY. 23 '83		
形番	MODEL APN 4701		
名称	NAME WATER-COOLING CASE (C7012A.E)		
図番	DRWG.NO. 1035E		2/2
REV	DATE	DESCRIPTION	REVNO.

来歴 REV	日付 DATE	記事 DESCRIPTION	作成 DRWN	検図 CHKD

SP.NO.

Yamatake Corporation

製品仕様書
SPECIFICATIONS

“RESTRICTIONS ON USE”

This product has been designed, developed and manufactured for general-purpose application in machinery and equipment.

Accordingly, when used in applications outlined below, special care should be taken to implement a fail-safe and/or redundant design concept as well as a periodic maintenance program.

- Safety devices for plant worker protection
- Start/stop control devices for transportation and material handling machines
- Aeronautical/aerospace machines
- Control devices for nuclear reactors

Never use this product in applications where human safety may be put at risk.

1	00	00	First issue	12-2-02	Harada	Miura
頁	改番	改番	来歴	日付	担当	検閲
	REV.	REV.	RECORD	DATE	BY	APPD.