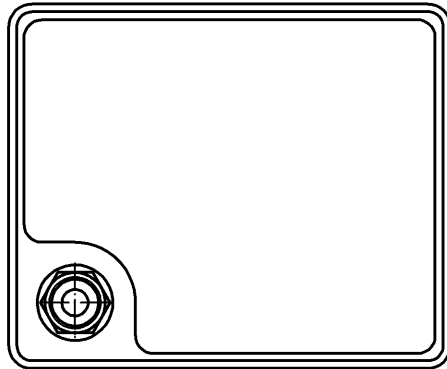


SP. No.

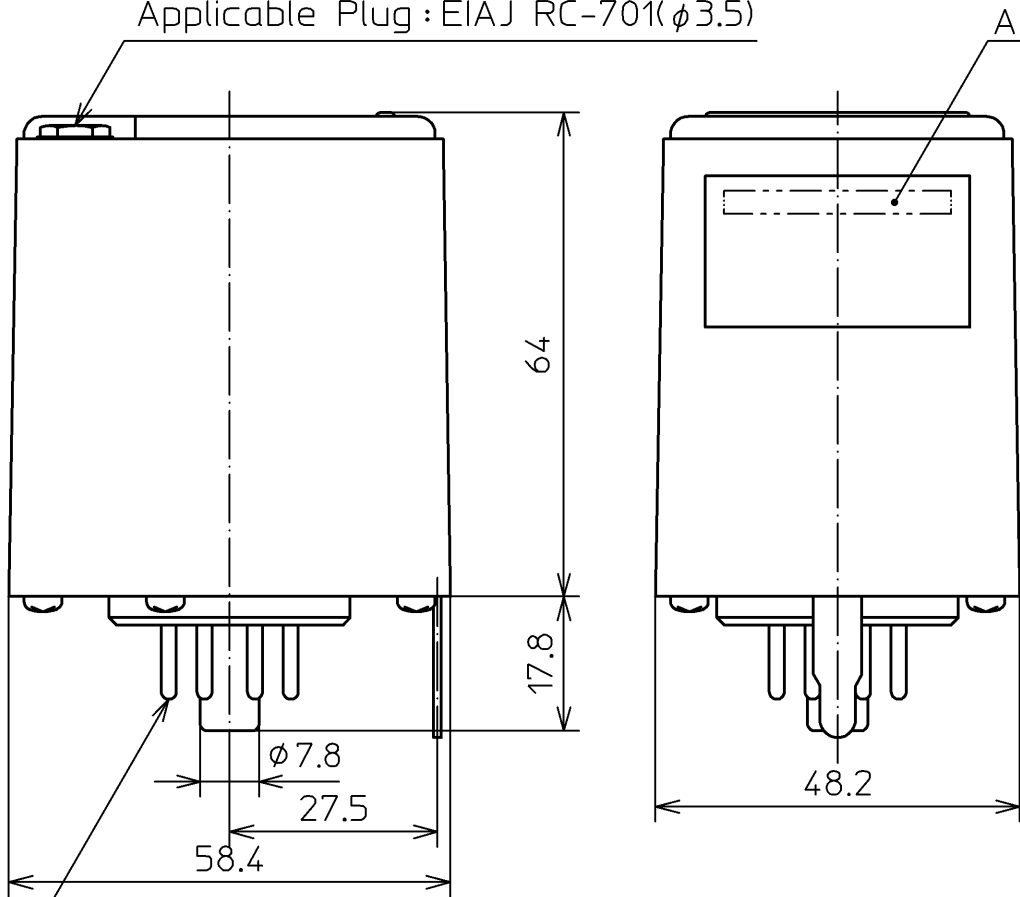
Yamatake Corporation

製品仕様書
SPECIFICATIONS



MODEL	A	
R7257A 1010-1	整流式増巾器	Rectification type amplifier
R7259B 1008X2	UV用増巾器	Amplifier for UV detectors
R7259B 112X2	UV用増巾器	Amplifier for UV detectors

Test Jack
Applicable Plug : EIAJ RC-701($\phi 3.5$)



$\phi 17.45 \pm 0.012$ PC
Divided into eight equal parts
Pin O.D. : $\phi 2.426 \pm 0.06$
Equivalent to JIS C 7006 Type O

作成DR. H.Harada 10.30.'90		尺度 SCALE	記入のない公差 TOL. UNLESS NOTED
検図CHK. M.Ogido 10.31.'90	形番 MODEL	R7257A1010-1 R7259B1008X2,112X2	
認可APPD. K.Murata 10.31.'90	名称 NAME	Flame Detection Amplifier	
日付 DATE 5.17.'94	図番 NO.	AD1321E	改番REV. 2/2

02	ADD TO ENGLISH	5.11.'94	N.Kuriyama	S.Miura
01	TO CHANGE LOGO, REDRAWN	1.31.'92	N.K	S.M
改番 REV.	来歴 RECORD	: 日付 DATE	担当 BY	検閲 APPD.

頁 改番

SP.NO.

Yamatake Corporation

製品仕様書
SPECIFICATIONS

“RESTRICTIONS ON USE”

This product has been designed, developed and manufactured for general-purpose application in machinery and equipment.

Accordingly, when used in applications outlined below, special care should be taken to implement a fail-safe and/or redundant design concept as well as a periodic maintenance program.

- Safety devices for plant worker protection
- Start/stop control devices for transportation and material handling machines
- Aeronautical/aerospace machines
- Control devices for nuclear reactors

Never use this product in applications where human safety may be put at risk.

1	00	00	First issue	12-2-02	Harada	Miura
頁	改番	改番	来歴	日付	担当	検閲
	REV.	REV.	RECORD	DATE	BY	APPD.