

SP. No.

Yamatake Corporation

製品仕様書
SPECIFICATIONS

Model:

Unit: kPa

Model **	Range	Differential at Midscale *		Max. Operating Pressure
		Min.	Max.	
L4086A200	0~100	10	40	160
L4086A204	0~350	30	100	600
L4086A208	35~1000	50	150	1600
L4086A212	70~2000	150	350	2500

* Value at mid-scale.

** Model number with suffix letter D: Inspection data attached.

Switching Action:

SPDT

makes R-B on pressure fall
breaks R-W on pressure fall

Electrical Ratings:

Unit: Amps.

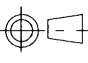
	120VAC	240VAC	120VDC	240VDC
Full load	8	5.1	—	—
Locked rotor	48	30.6	—	—
Resistive load	20	20	0.2	0.1

Insulation Resistance:

Insulation resistance between each terminal and the case shall be more than 50MΩ.

Dielectric Strength:

Device shall be capable of withstanding a potential of 1500V AC50 or 60Hz for 1 min., or 1800VAC for 1 sec. between each terminal and case without breakdown.

作成 DR.		尺度 SCALE	記入のない公差 TOL. UNLESS NOTED
I. Harada			
検図 CHK.	形番 MODEL	L4086A	
Uchiyama			
認可 APPD	名称 NAME	PRESSURETROL (SPLASH-PROOF)	
Tsumura			
日付 DATE	図番 NO.	改番 REV.	1/4
4-6-98	AD12681E	03	

4	01	03	JEO02-0525	9-6-02	Harada Shoji	
3	01	02	JEO99-0389	5-12-98	M.Saito Uchiyama	
2	02	01	JEO98-0608	7-29-98	Harada Uchiyama	
頁	改番	REV.	来歴 RECORD	日付 DATE	担当 BY	検閲 APPD.

SP. No.

Yamatake Corporation

製品仕様書 SPECIFICATIONS

Splash-proof Construction: $\triangle 02$ Device meets JIS C 0920-1993 IP Code IP42.

Max. Ambient Temperature: 65°C

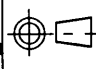
Material: Element Phosphor bronze bellows
Body case Aluminum alloy casting

Finish: Gray enamel

Accessory: Screw M5×10 3 pcs
Hexagon nut M5 3 pcs
Spring washer M5 3 pcs

Parts to be Ordered Separately: J-14026 Siphon

Control Mediums: Steam, air, non-combustible gases or fluids, non-corrosive gases or fluids.

作成 DR.		尺度 SCALE	記入のない公差 TOL. UNLESS NOTED
I. Harada			
検図 CHK.	形番 MODEL	L4086A	
Uchihamada			
認可 APPD	名称 NAME	PRESSURETROL (SPLASH-PROOF)	
Tsumura			
日付 DATE	図番 NO.	改番 REV.	
4-6-98	AD12681E	02	2/4

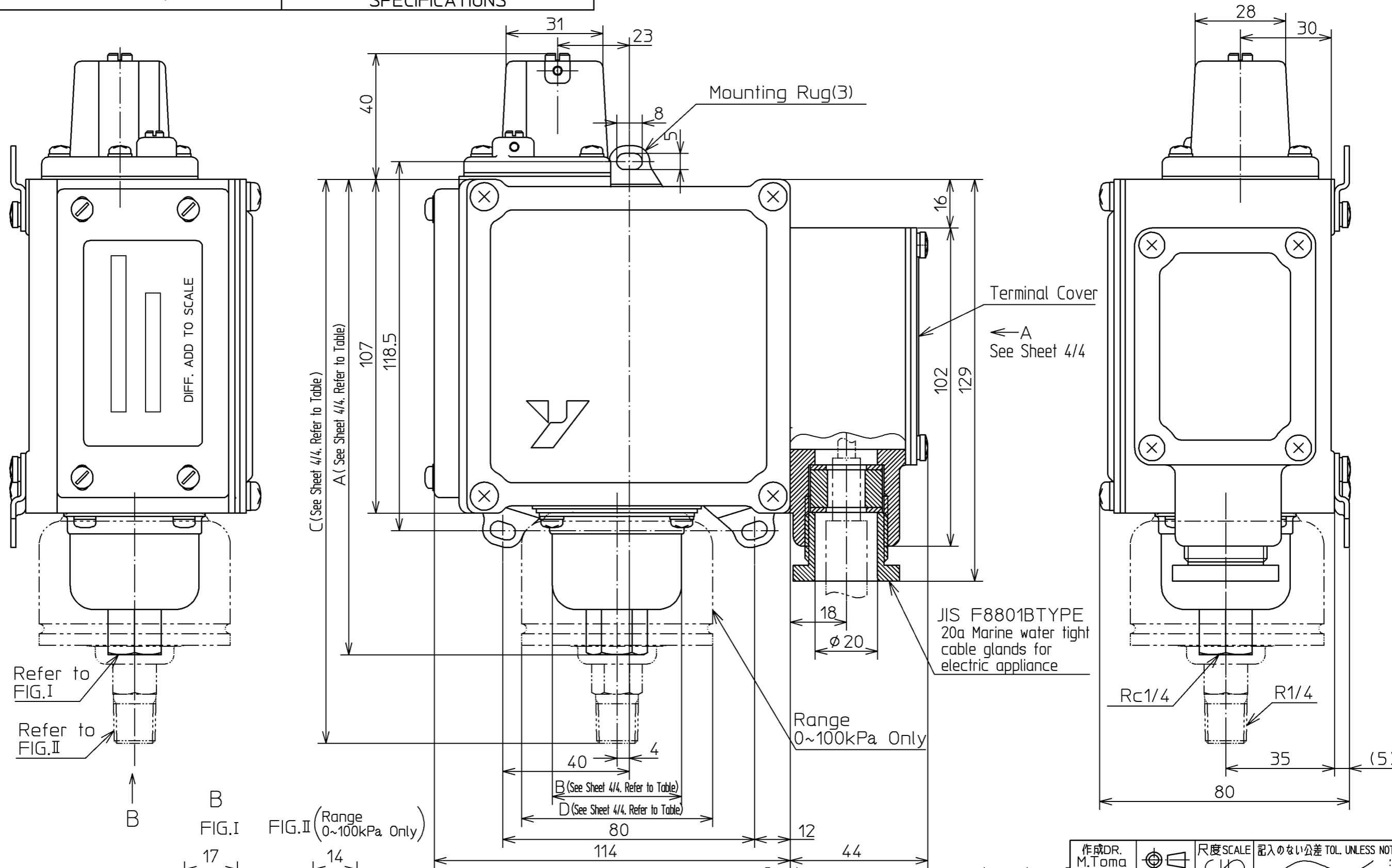
改番 REV.	来歴 RECORD	日付 DATE	担当 BY	検閲 APPD.
02	JEO99-0389	5-12-98	M.Saito	Uchihamada
01	JEO98-0608	7-29-98	Harada	Uchihamada

頁 改番

SP. No.

Yamatake Corporation

製品仕様書
SPECIFICATIONS



作成DR. M.Toma 5.29.98	検図CHK. M.Ogido 5.29.98	認可APPD K.Murata 5.29.98	日付DATE 5.29.98	尺度SCALE 1/10	記入のない公差 TOL. UNLESS NOTED
01	JE098-0608	7.17.98	M.T	M.O	形番 MODEL L4086A
改番 REV.	来歴 RECORD	: 日付 DATE	担当 BY	検閲 APPD.	名称 NAME PRESSURE TROL (SPLASH PROOF)
					図番 NO. AD12681E
					改番REV. 01 / 3/4

SP. No.

Yamatake Corporation

製品仕様書
SPECIFICATIONS

A Internal View
(With Terminal Cover Removed)

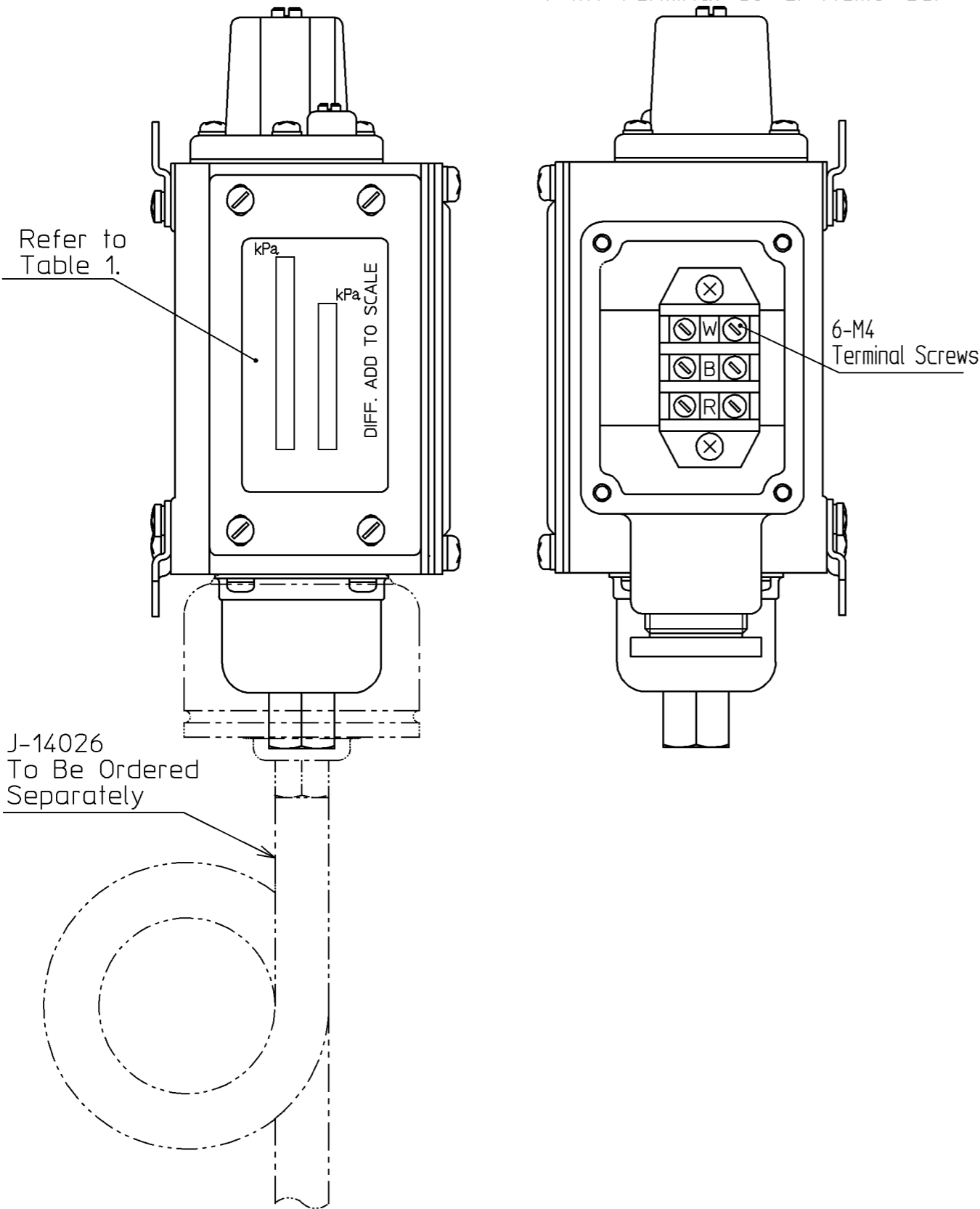


TABLE 1.

Model No.	L4086A200	L4086A204	L4086A208	L4086A212
Range	0~100kPa	0~350kPa	35~1000kPa	70~2000kPa
A	—	153	153	149
B	—	φ42	φ42	φ33
C	183	—	—	—
D	φ61	—	—	—
Scale				

01	JE098-0608	7.17.98	M.T	M.O
改番 REV.	来歴 RECORD	: 日付 DATE	担当 BY	検閲 APPD.

作成DR. M.Toma 5.29.98	検図CHK. M.Ogido 5.29.98	認可APPD K.Murata 5.29.98	日付DATE 5.29.98	形番 MODEL L4086A	名称 NAME PRESSURETROL (SPLASH PROOF)	図番 NO. AD12681E	改番REV. 01 / 4
作成DR. M.Toma 5.29.98		検図CHK. M.Ogido 5.29.98		認可APPD K.Murata 5.29.98		日付DATE 5.29.98	
尺度SCALE		記入のない公差 TOL. UNLESS NOTED					

SP.NO.

“RESTRICTIONS ON USE”

This product has been designed, developed and manufactured for general-purpose application in machinery and equipment.

Accordingly, when used in applications outlined below, special care should be taken to implement a fail-safe and/or redundant design concept as well as a periodic maintenance program.

- Safety devices for plant worker protection
- Start/stop control devices for transportation and material handling machines
- Aeronautical/aerospace machines
- Control devices for nuclear reactors

Never use this product in applications where human safety may be put at risk.

1	00	00	First issue	12-2-02	Harada	Miura
頁	改番	改番	来歴	日付	担当	検閲
	REV.	REV.	RECORD	DATE	BY	APPD.