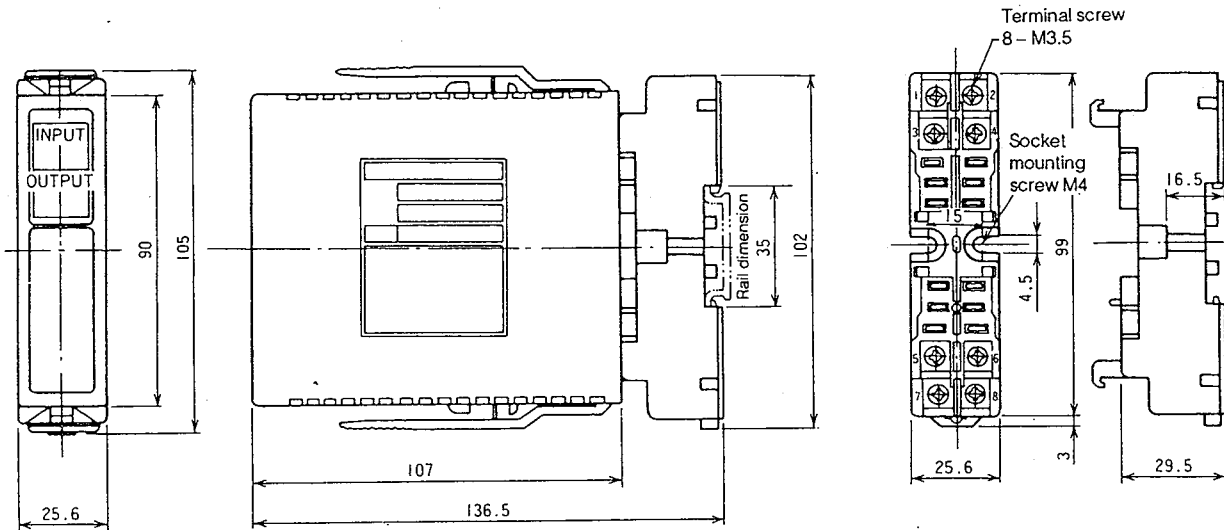


4. EXTERNAL DIMENSION DRAWING

External dimension drawing

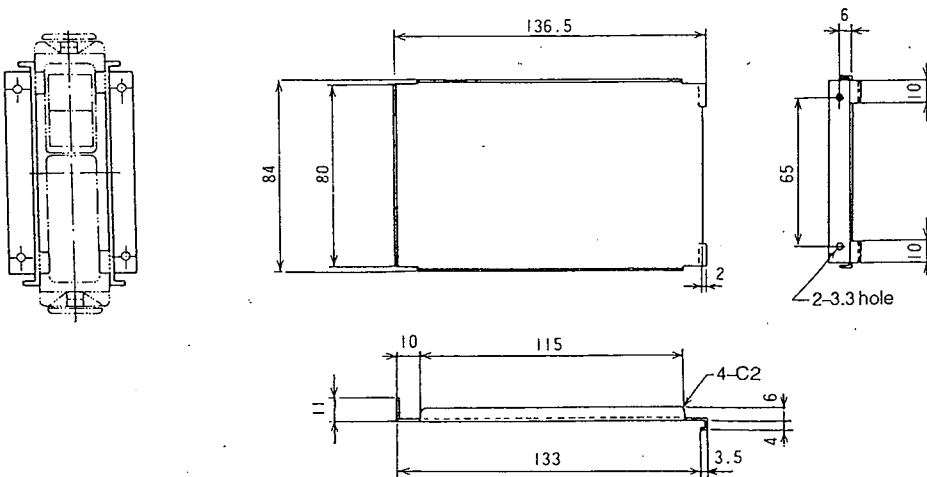
Unit: mm

Base socket Part No. QN719A



With the vibration-absorbing bracket mounted

Vibration-absorbing bracket Part No. QN718A



Material: Cold-rolled steel plate SPCC t1
Galvanized, and chrome processed