

製品仕様書

SPECIFICATIONS

1. GENERAL DESCRIPTION

The WN724A, which encloses cooling/heating change-over relay, is a controller of Ni bulb input performing position proportioning control and on-off start/stop control of actuator in accordance with cold and hot water outlet temperatures.

2. SPECIFICATIONS

INPUT: Ni resistance bulb

OUTPUT: Relay contact

Contact Rating:

Position Proportioning Control Unit:

AC250V 2A $\cos\phi = 1$, 100VA $\cos\phi = 0.4$

Start/Stop Control Unit:

AC250V 1A $\cos\phi = 1$, 50VA $\cos\phi = 0.4$

CONTROL OPERATION:

Position proportioning + ON-OFF start/stop controls

POSITION PROPORTIONING CONTROL UNIT:

Temperature Setting Range:

COOL C.P.A: 0 to 20°C adjustable (independent)

HEAT C.P.A: 40 to 80°C adjustable (independent)

Proportional Band: 0 to 5°C adjustable (cooling & heating)

Dead zone: 0.4°C fixed (cooling & heating)

Indication Lamp: Red lamp ON at open operation
Green lamp ON at close operation

ON-OFF START/STOP CONTROL UNIT:

Temperature Setting Range:

Lo-SP: 0 to -5°C adjustable for Cool C.P.A setting
(independent)

Hi-SP: 0 to +10°C adjustable for Heat C.P.A setting
(independent)

作成 DRWN.	検 図 CHKD	承認 APPD.	日付 DATE
M. Tanaka Dec. 10, '82	J. Hiyoshi Dec. 13 '82	J. Hiyoshi Dec. 13 '82	82-12-10
形 番 MODEL		WN724A100	
名 称 NAME		ABSORPTION TYPE REFRIGERATOR CONTROLLER (MODULATING TYPE)	
図 番 DRWG.NO.	2594E	1/5	改 番 REV.NO.

来歴 REV	日付 DATE	記事 DESCRIPTION	作成 DRWN	検 図 CHKD
-----------	------------	-------------------	------------	-------------

製品仕様書

SPECIFICATIONS

Differential(DIFF): 1 to 4°C adjustable (cooling & heating)

Indication Lamp: Red lamp OFF at stop operation

BURN-OUT: Control motor - Close operation
Start/stop control - Stop operation

RATED VOLTAGE AND FREQUENCY: AC100/110V or AC200/220V 50-60Hz

ALLOWABLE POWER SOURCE VOLTAGE:
+10% of rated voltage at 45°C max. ambient temperature

POWER CONSUMPTION: 7W(12VA) max.

AMBIENT TEMPERATURE: -20 to +55°C (at rated voltage)
-20 to +45°C (at allowable power source voltage range)

AMBIENT HUMIDITY: 90%RH max. at +40°C

STORAGE TEMPERATURE: -20 to +70°C

VIBRATION RESISTIVITY: 0.5G max. (10 to 60Hz)

FINISH (FACEPLATE): Aluminum aventurine

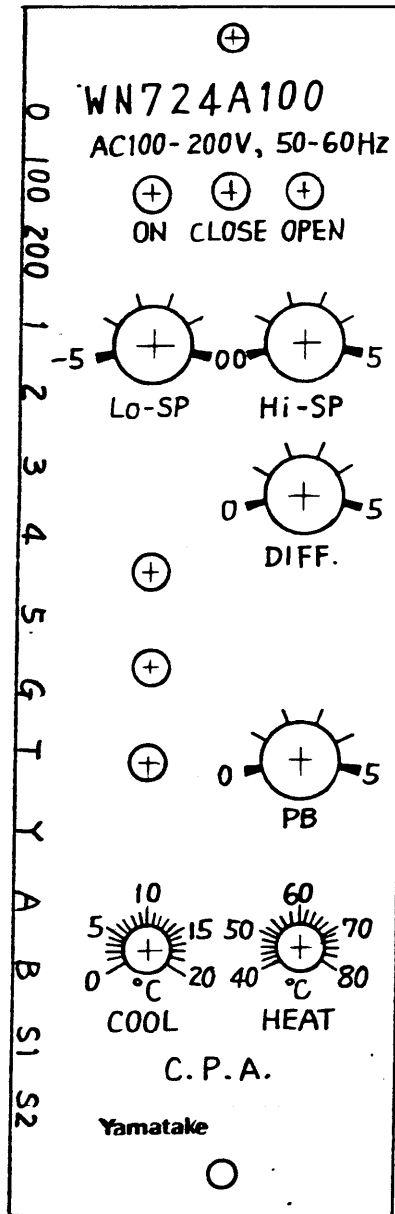
WEIGHT: 1.3Kg

作成 DRWN.	検図 CHKD	承認 APPD.	日付 DATE
M Tanaka Dec 10 '82	J. Hiyoshi Dec. 13 '83	J. Hiyoshi Dec. 13 '83	82-12-10
形番 MODEL		WN724A100	
名称 NAME		ABSORPTION TYPE REFRIGERATOR CONTROLLER (MODULATING TYPE)	
図番 DRWG.NO.	2594E	2/5	改番 REV.NO.

来歴 REV	日付 DATE	記事 DESCRIPTION	作成 DRWN	検図 CHKD
-----------	------------	-------------------	------------	------------

製品仕様書

SPECIFICATIONS



作成 DRWN.	検 査 CHKD	承認 APPD.	日付 DATE
<i>A. Sato</i>	<i>M. Ogido</i>	<i>M. Kishi</i>	<i>82-12-10</i>
<i>Dec. 10 '82</i>	<i>Dec. 10 '82</i>	<i>Dec. 10, '82</i>	
形 番	WN724A100		
MODEL	ABSORPTION TYPE		
名 称	REFRIGERATOR CONTROLLER		
NAME	(MODULATING TYPE)		
図 番	2594E	3 / 5	改 番
DRWG.NO.			REV.NO.

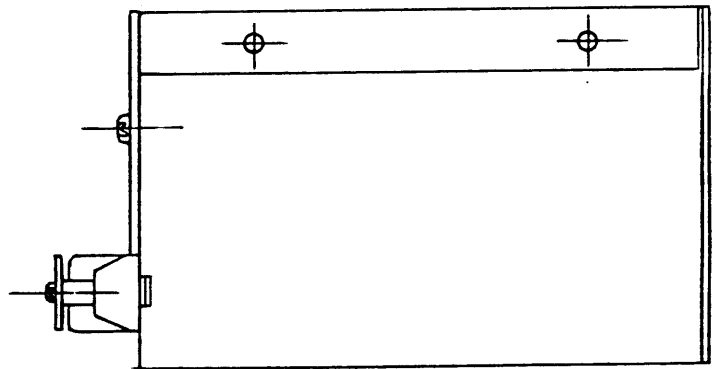
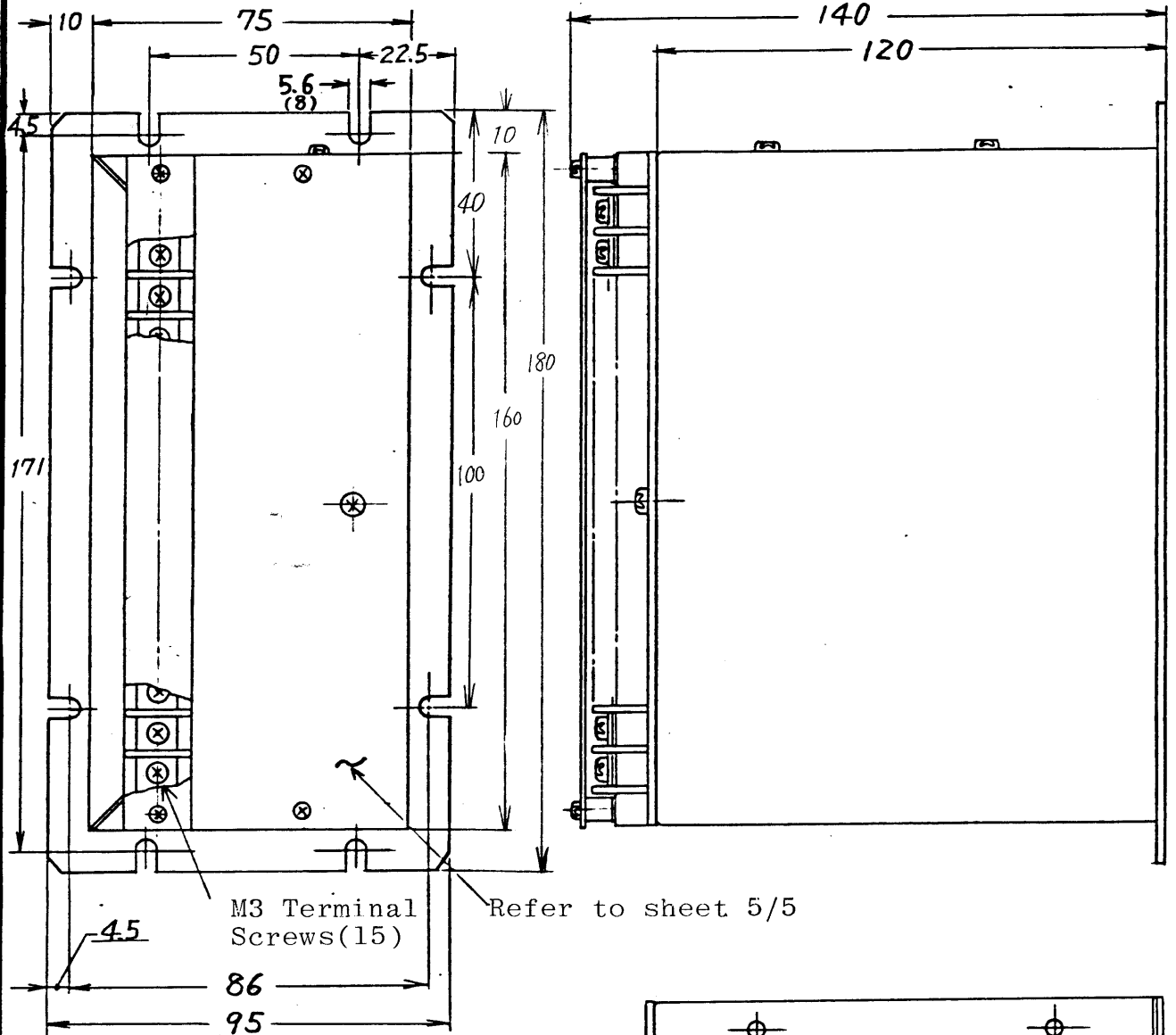
来歴 REV	日付 DATE	記事 DESCRIPTION	作成 DRWN	検 査 CHKD
--------	---------	----------------	---------	----------

A4トレバ(註)

Yamatake Corporation

製品仕様書

SPECIFICATIONS



作成 DRWN.	検図 CHKD	承認 APPD.	日付 DATE
<i>A. Sato</i>	<i>M. Ogide</i>	<i>I. Kishi</i>	
<i>Dec. 10 '82</i>	<i>Dec. 10 '82</i>	<i>Dec. 10, '82</i>	<i>82-12-10</i>
形番	WN724A100		
MODEL			
名称	ABSORPTION TYPE		
NAME	REFRIGERATOR CONTROLLER (MODULATING TYPE)		
図番	2594E	4/5	改番 REVNO.
DRWG.NO.			

来歴 REV	日付 DATE	記事 DESCRIPTION	作成 DRWN	検図 CHKD

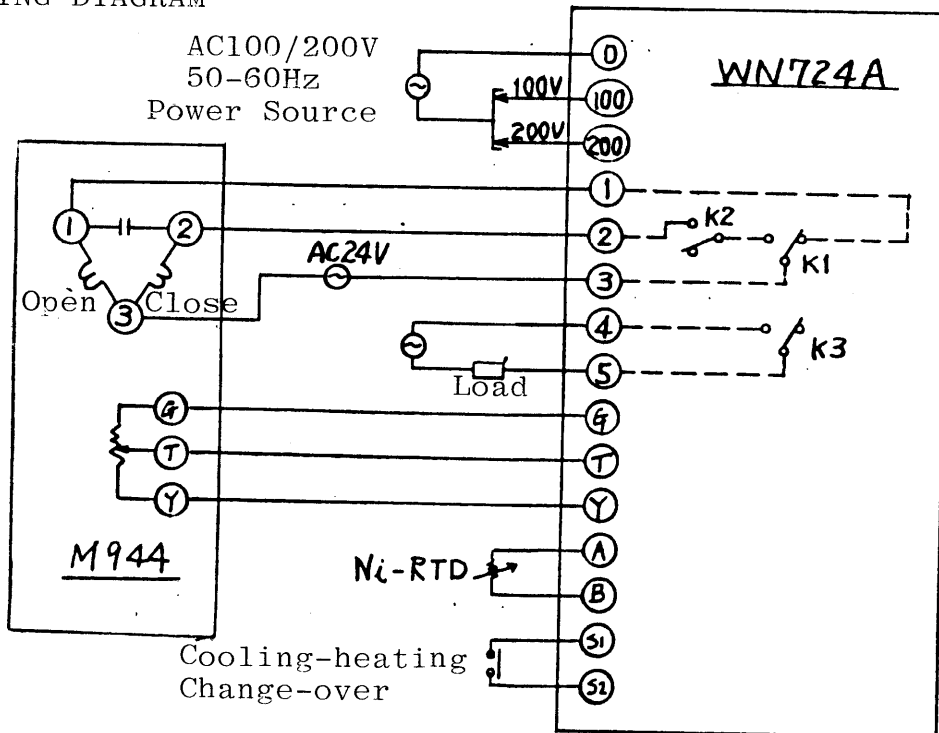
A4トレバ (註)

Yamatake Corporation

製品仕様書

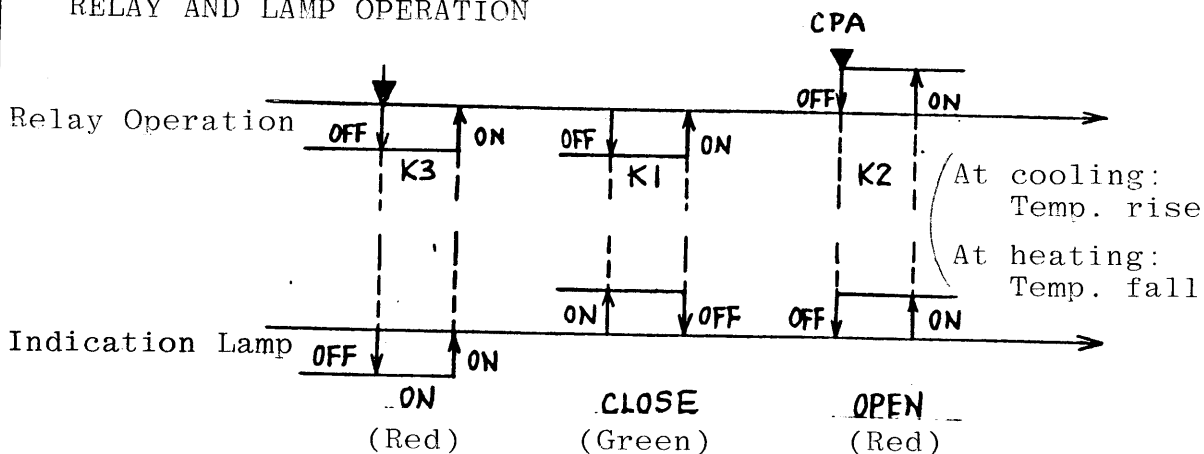
SPECIFICATIONS

WIRING DIAGRAM



Note 1: At cooling: (S1) - (S2) Open
 At heating: (S1) - (S2) Short

RELAY AND LAMP OPERATION



作成 DRWN.	検図 CHKD	承認 APPD.	日付 DATE
A. Sato	M. Ogido	H. Kishi	82-12-10
Dec. 10 '82	Dec. 10 '82	Dec. 10, 82	
形番	WN724A100		
MODEL			
名称	ABSORPTION TYPE		
NAME	REFRIGERATOR CONTROLLER (MODULATING TYPE)		
図番	2594E	5/5	改番 REVNO.

来歴 REV	日付 DATE	記事 DESCRIPTION	作成 DRWN	検図 CHKD
--------	---------	----------------	---------	---------

A4トレバ (荘)

Yamatake Corporation

SP.NO.

Yamatake Corporation

製品仕様書
SPECIFICATIONS

“RESTRICTIONS ON USE”

This product has been designed, developed and manufactured for general-purpose application in machinery and equipment.

Accordingly, when used in applications outlined below, special care should be taken to implement a fail-safe and/or redundant design concept as well as a periodic maintenance program.

- Safety devices for plant worker protection
- Start/stop control devices for transportation and material handling machines
- Aeronautical/aerospace machines
- Control devices for nuclear reactors

Never use this product in applications where human safety may be put at risk.

1	00	00	First issue	12-2-02	Harada	Miura
頁	改番	改番	来歴	日付	担当	検閲
	REV.	REV.	RECORD	DATE	BY	APPD.