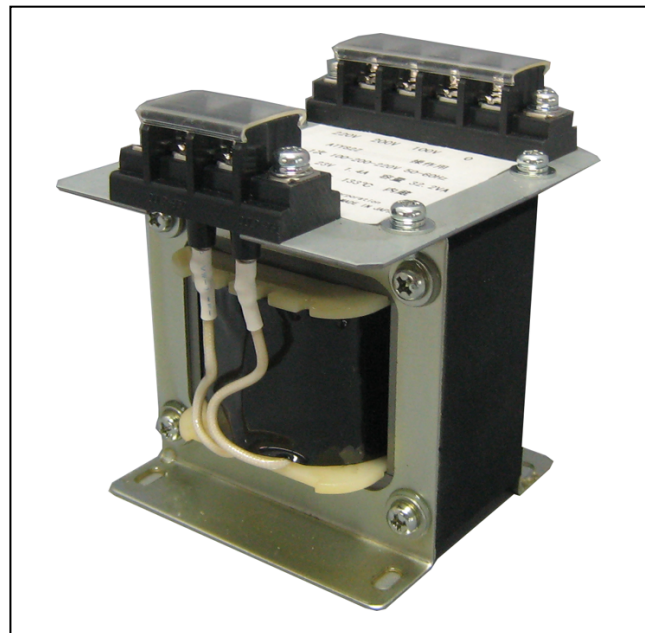


Transformer

Model ATY82Z

General

Model ATY82Z is a compact isolation transformer which steps down a line voltage of 100V AC, 200V AC, or 220V AC to a low voltage of 24V AC.



Features

- Easy connection with screw terminals.
- Protected with temperature fuse and terminal cover.

Specifications

Item	Specification
Model number	ATY82Z
Type	Isolation transformer
Primary voltage	100 V AC, 200 V AC, 220 V AC
Secondary voltage	23 V AC (with rated load)
Power rating	32 VA
Frequency	50 Hz to 60 Hz
Ambient temperature	0 °C to 60 °C
Ambient humidity	10 %RH to 90 %RH
Weight	1.5 kg
Temperature fuse	133 °C
Mount	Foot mounting with screws and nuts through mounting holes
Terminals connection	M4 screw terminals

Safety Instructions

Please read instructions carefully and use the product as specified in this manual. Be sure to keep this manual near by for ready reference.

Usage Restrictions

This product is targeted for general air conditioning. Do not use this product in a situation where human life may be affected. If this product is used in a clean room or a place where reliability or control accuracy is particularly required, please contact Yamatake's sales representative. Yamatake Corporation will not bear any responsibility for the results produced by the operators.

WARNING



- DANGER: To prevent the risk of severe or fatal electrical shock, always disconnect power source and product power supply before performing any wiring.



- Do not disassemble the product. Disassembly may result in electrical shock or product damage.

CAUTION



- This product must be operated under the operating conditions (power, temperature, humidity, vibration, installation position, atmospheric condition, etc) specified in this manual to prevent equipment damage.



- This product must be operated within its operating ranges specified in this manual. Failure to comply will cause equipment damages.



- Installation and wiring must be performed by qualified personnel in accordance with all applicable safety standards..



- Dispose of this product as an industrial waste in accordance with your local regulations. Do not reuse all or part of this product.

Dimensions

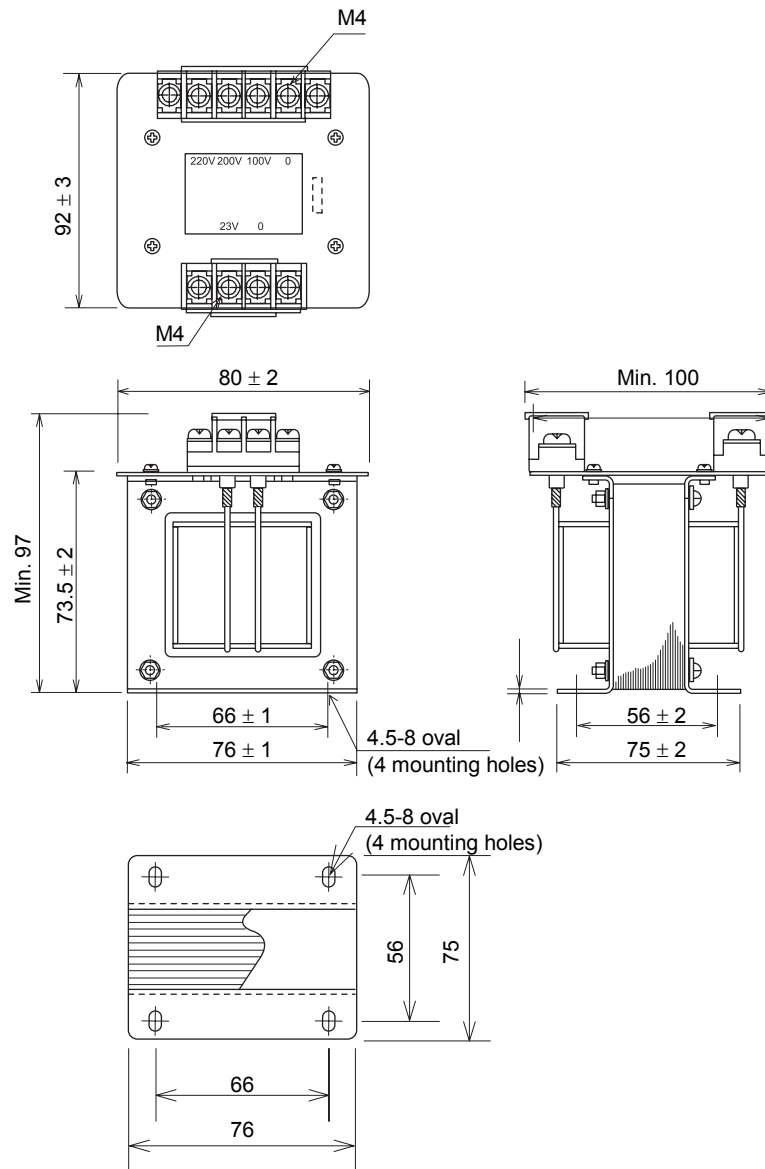


Figure 1. Dimensions (mm)

Installation

Ensure safety by protecting the circuit of the device to be connected to the product or by installing the device in a safe method.

- This product is mountable in any orientation.
- With screws and nuts, this product is mountable on a panel.
- Install the product in a location with the specified ambient temperature and humidity.
- Four M4 screws and nuts (not supplied with the product) are necessary to mount the product on a panel. Four mounting holes are provided on the mounting foot. Refer to Fig. 1 for the mounting holes.

Wiring

The following figure shows internal wires connection of the product.

Remove the terminal cover and connect the wires to the terminals needed. M4 screw terminals are provided on the product. Refer to Fig 1.

Attach the terminal cover again when you finish the connection.

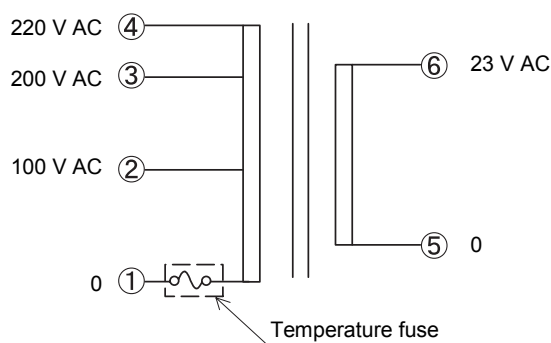


Figure 2. Internal wiring

azbil

Specifications are subject to change without notice.

Yamatake Corporation
Building Systems Company

<http://www.azbil.com>