

# Transformer

## Models ATN510, ATN511, ATN516

### General

Models ATN510, ATN511, and ATN516 are isolation transformers to step up/down the power voltage of electric or electronic devices including electronic control panel, motorized valve, relay, etc.

Models ATN510 and ATN511 have 100V, 200V, 208V, 220V primary voltage and 100V, 110V secondary voltage. Power rating of Model ATN510 is 40 VA, and power rating of Model ATN511 is 130 VA.

Model ATN516 has 100V, 200V primary voltage and 23.5V secondary voltage.

Its power rating is 200 VA.



### Features

- Foot mounting:  
Mountable on a panel by fixing with screws and nuts.
- Easy connection with screw terminals.
- Protected with temperature fuse and terminal cover.

### Models

Model number	Description		
	Primary volt.	Secondary volt.	Power rating
ATN510	100 V AC, 200 V AC,	100 V AC, 110 V AC,	40 VA
ATN511	208 V AC, 220 V AC	120 V AC	130 VA
ATN516	100 V AC, 200 V AC	23.5 V AC	200 VA

### Specifications

Item		Specification
Frequency		50 Hz to 60 Hz
Ambient temperature		0 °C to 60 °C
Ambient humidity		10 %RH to 90 %RH
Weight	Model ATN510	1.5 kg
	Model ATN511	4 kg
	Model ATN516	6.5 kg
Temperature fuse	Model ATN510	133 °C
	Model ATN511	128 °C
	Model ATN516	128 °C
Mount		Foot mounting with screws and nuts through mounting holes
Terminals connection		M4 screw terminals

## Safety Instructions

---

Please read instructions carefully and use the product as specified in this manual. Be sure to keep this manual near by for ready reference.

### Usage Restrictions

This product is targeted for general air conditioning. Do not use this product in a situation where human life may be affected. If this product is used in a clean room or a place where reliability or control accuracy is particularly required, please contact Yamatake's sales representative. Yamatake Corporation will not bear any responsibility for the results produced by the operators.

### WARNING



- DANGER: To prevent the risk of severe or fatal electrical shock, always disconnect power source and product power supply before performing any wiring.



- Do not disassemble the product. Disassembly may result in electrical shock or product damage.

### CAUTION



- This product must be operated under the operating conditions (power, temperature, humidity, vibration, installation position, atmospheric condition, etc) specified in this manual to prevent equipment damage.



- This product must be operated within its operating ranges specified in this manual. Failure to comply will cause equipment damages.



- Installation and wiring must be performed by qualified personnel in accordance with all applicable safety standards.



- Dispose of this product as an industrial waste in accordance with your local regulations. Do not reuse all or part of this product.

**Dimensions**

**Model ATN510**

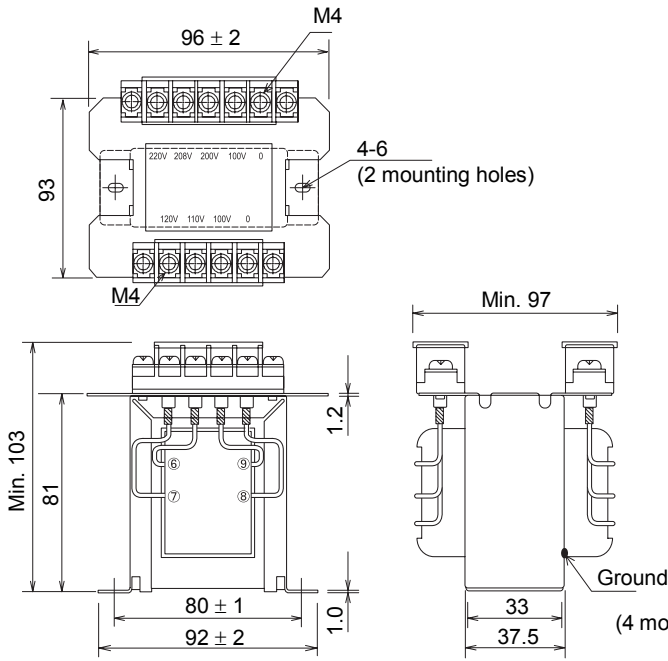


Figure 1. Dimensions (mm): Model ATN510

**Model ATN511**

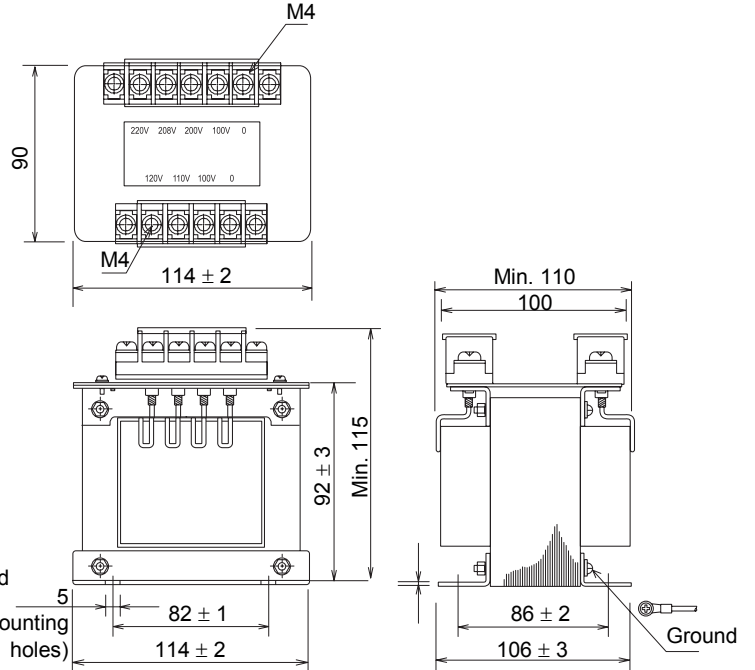


Figure 2. Dimensions (mm): Model ATN511

**Model ATN516**

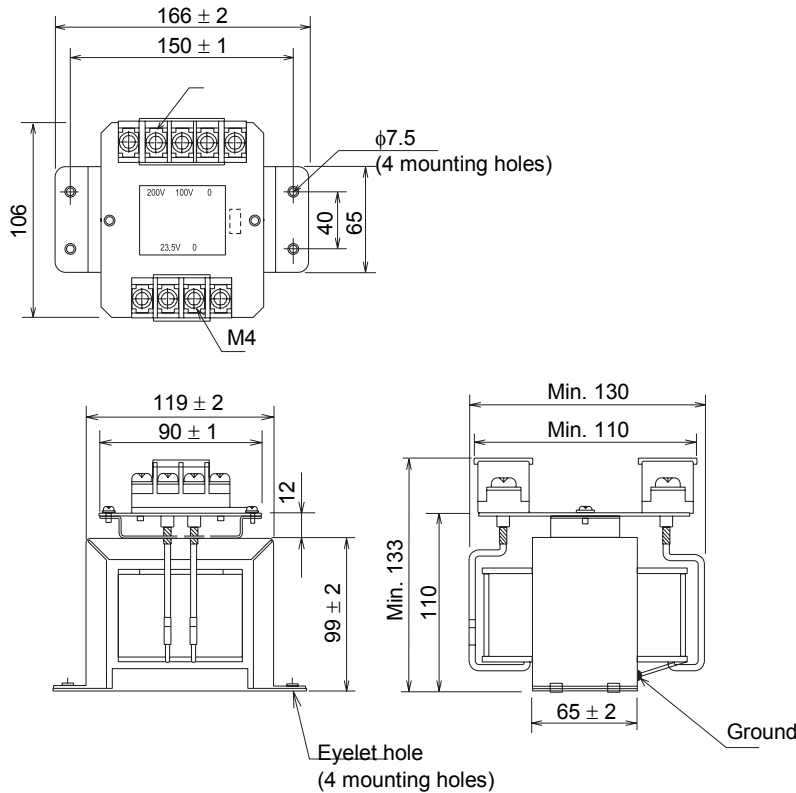


Figure 3. Dimensions (mm): Model ATN516

**Installation**

Ensure safety by protecting the circuit of the electric/electronic device to be connected to the product or by installing the device in a safe method.

- This product is mountable in any orientation.
- With screws and nuts, this product is mountable on a panel.
- Install the product in a location with the specified ambient temperature and humidity.
- Two or four M4 screws and nuts (not supplied with the product) are necessary to mount the product on a panel. Two or four mounting holes are provided on the mounting foot. Refer to **Dimensions** for the mounting holes.

**Wiring**

The following figures show internal wires connection of the product.

Remove the terminal cover and connect the wires to the terminals needed. M4 screw terminals are provided on the product. Refer to Figs. 1 to 3.

Attach the terminal cover again when you finish the connection.

**Models ATN510, ANT511**

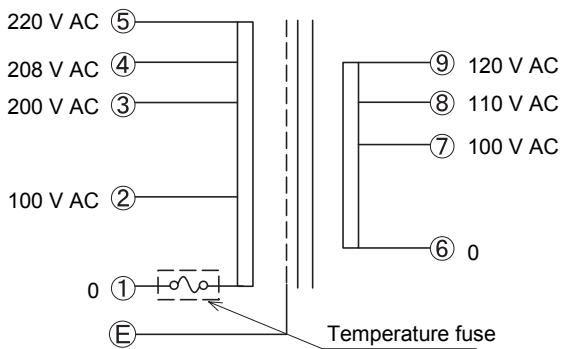


Figure 4. Internal wiring: Models ATN510, ATN511

**Model ATN516**

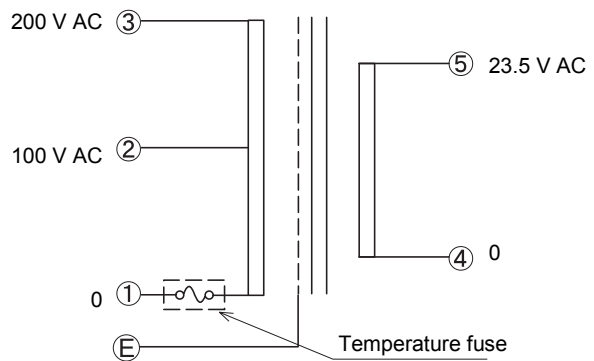


Figure 5. Internal wiring: Model ATN516



*Specifications are subject to change without notice.*

**Yamatake Corporation**  
**Building Systems Company**

<http://www.azbil.com>