

SP.NO.

Yamatake Corporation

製品仕様書 SPECIFICATIONS

Model Number	M6284A1030	M6284C1028	M6284F1039
Control Operation	Position proportional control		
Input Signal	Relay contact		
Feedback Potentiometer	Installed		
Balancing Relay	None		
Stroke	160°	90°	90 to 160° adjustable Note *1
Timing	60 seconds	34 seconds	34 to 60 seconds
Torque	16.7Nm {170kgf/cm}		
Spring Return	None		
Auxiliary Switch	None	Two switches as the built-in auxiliary switches. Note *2	
Rated Voltage	AC24V 50-60Hz		
Power Consumption	17W		
Insulation Resistance	5MΩ min. at 500VDC between each terminal and the housing when measured with a megger.		
Allowable Ambient Temperature	-40°C to +60°C at duty 25% max.		
Maximum Allowable Load Weight	90kg Note *3		
Case Material and Finish	Magnesium die-cast priming surface (housing and cover) Aluminum die-cast priming surface (motor mount)		
Mass (Weight)	Approx. 3kg		

- Mounting:
1. Mount Motor so that its shaft becomes horizontal using mounting holes if required use mounting bracket.
 2. Assemble valve linkage on Power End side when you use valve.
 3. Do not use this motor in such environment containing explosive gas or vapor.

Note 1. The motor stroke is set 90 degrees stroke when shipped.
 2. Electrical Ratings for auxiliary switches.

		AC120V	AC240V
Motor	Full load	7.2A	3.6A
Load	Rocked rotor	43.2A	21.6A

3. Allowable maximum load is total 135kg when both ends of shaft are used.

作成DR.	I.Harada	検図CHK	H.Harada	認可APPD.	K.Murata	日付DATE	9-25-95	尺度 SCALE	記入のない公差TOL.UNLESS NOTED	形番 MODEL	M6284	名称 NAME	MODUTROL MOTOR	改番REV	01	1/2
2	00	01	JEO96-0372	7-3-96	Harada	Harada	来歴 RECORD	日付 DATE	担当 BY	検閲 APPD.	箱番 NO.	AD11144E	改番REV	01	1/2	

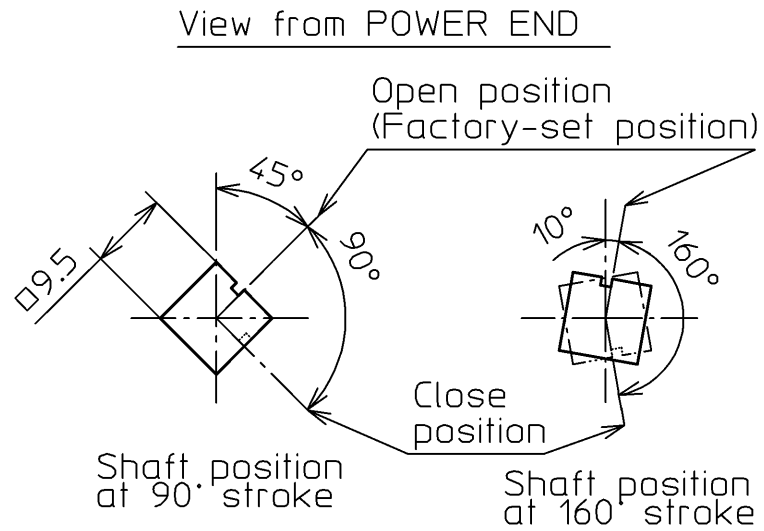
SP. No.

Yamatake Corporation

製品仕様書
SPECIFICATIONS

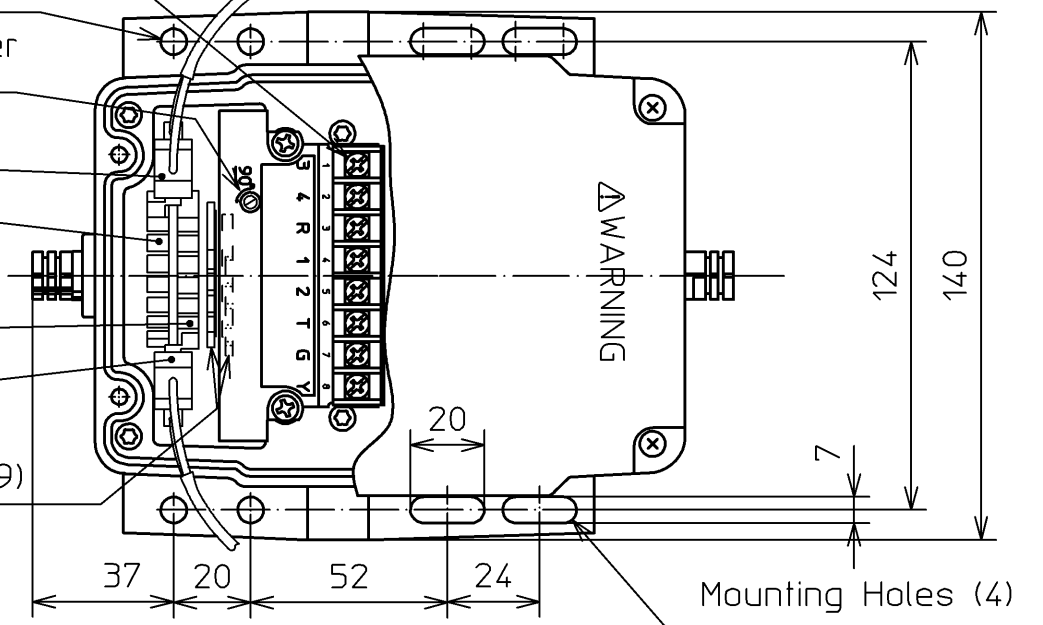
Terminal Screws #6-32UNC
φ6.8 Mounting Holes (4)

Auxiliary Switch Leadwires
Red(Black/Red), Yellow(Black/Yellow),
Blue(Black/Blue)

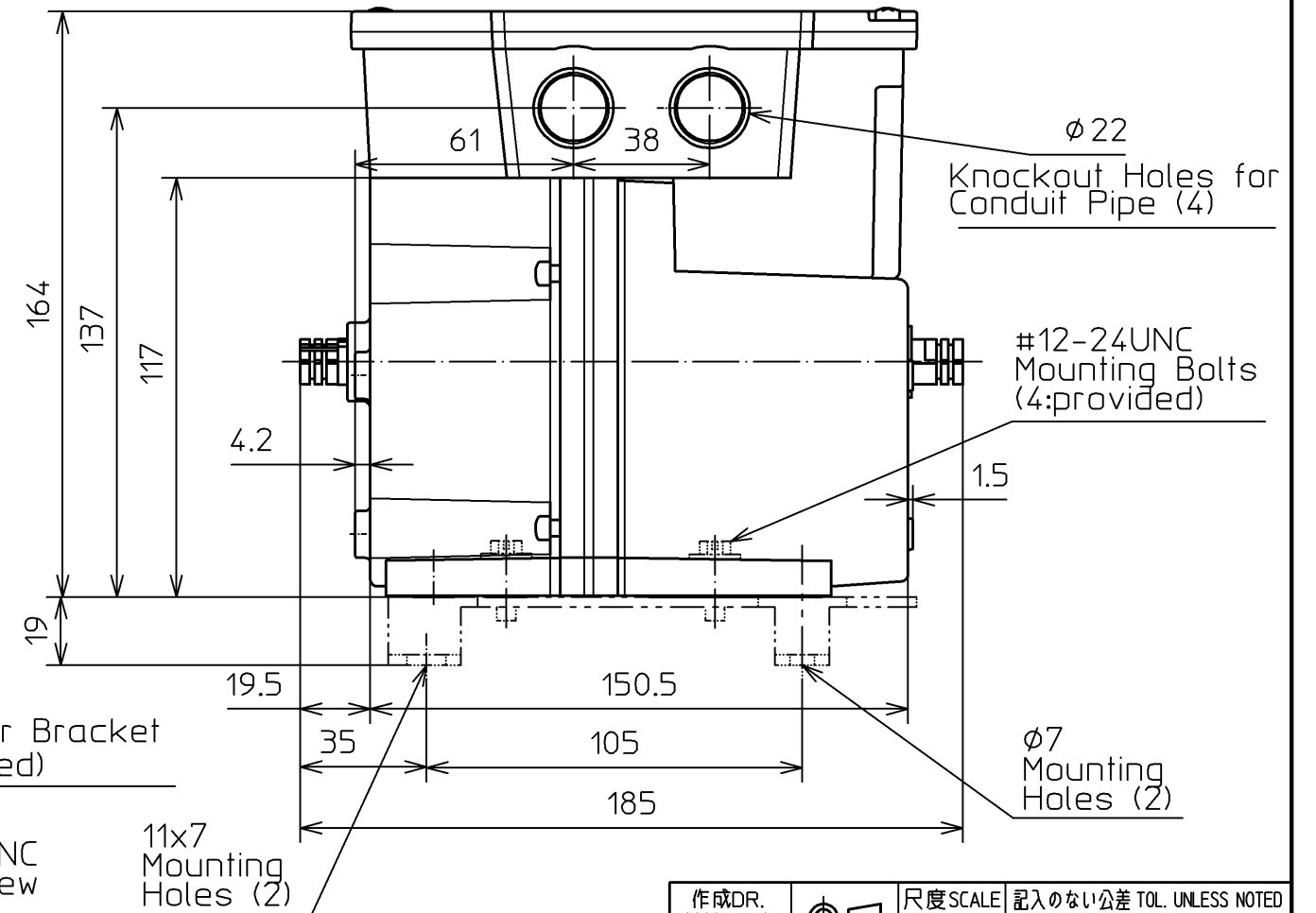
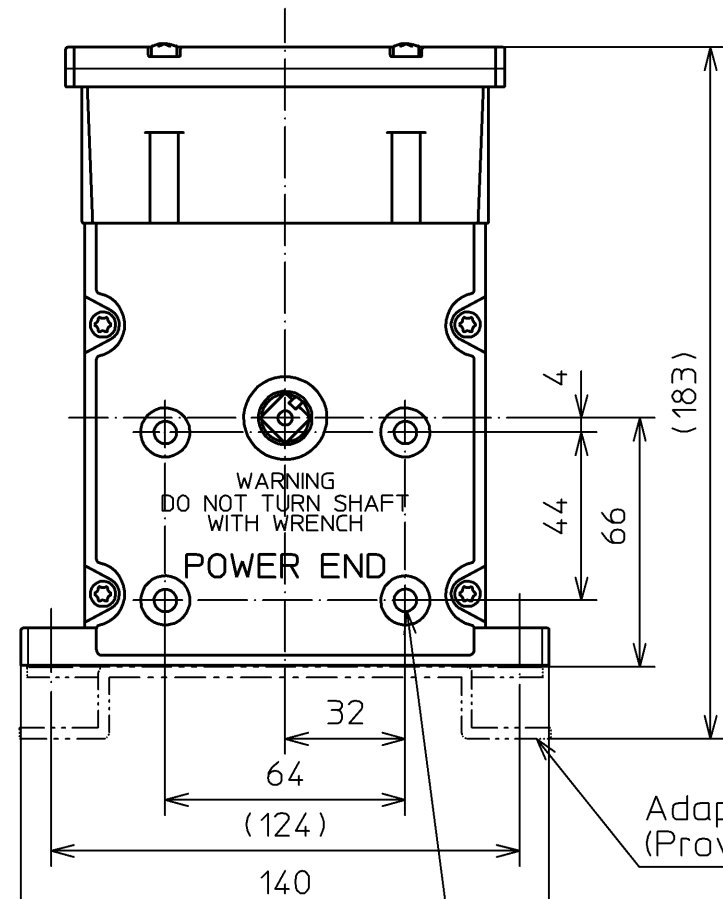
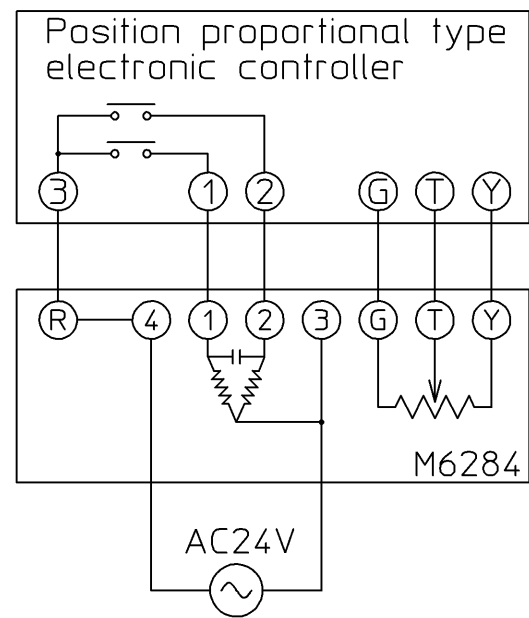


- Stroke Adjustment Potentiometer (M6284F1039)
- Auxiliary Switch (Outer) (M6284C1028)
- Auxiliary Switch Cam (Outer/Red) (M6284C1028)
- Auxiliary Switch Cam (Inner/Blue) (M6284C1028)
- Auxiliary Switch (Inner) (M6284C1028)

Angle Adjustment Cam (M6284F1039)

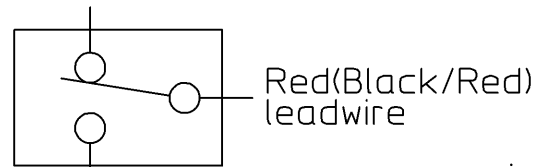


Connection Diagram



Auxiliary Switch Leadwire (M6284C1028)

Yellow(Black/Yellow) leadwire



Blue(Black/Blue) leadwire

Hole for #8-32UNC Self-tapping Screw
7 Holes
(3 holes for the sub-output-shaft side)

11x7 Mounting Holes (2)

作成DR. H.Harada 9.25.95	検図CHK. T.Akimoto 9.26.95	認可APPD K.Murata 9.26.95	日付DATE 9.29.95	改番REV. 00	2/2
形番 MODEL		M6284			
名称 NAME		MODUTROL MOTOR			
図番 NO.		AD11144E		改番REV. 00	

SP.NO.

Yamatake Corporation

製品仕様書
SPECIFICATIONS

“RESTRICTIONS ON USE”

This product has been designed, developed and manufactured for general-purpose application in machinery and equipment.

Accordingly, when used in applications outlined below, special care should be taken to implement a fail-safe and/or redundant design concept as well as a periodic maintenance program.

- Safety devices for plant worker protection
- Start/stop control devices for transportation and material handling machines
- Aeronautical/aerospace machines
- Control devices for nuclear reactors

Never use this product in applications where human safety may be put at risk.

1	00	00	First issue	12-2-02	Harada	Miura
頁	改番	改番	来歴	日付	担当	検閲
	REV.	REV.	RECORD	DATE	BY	APPD.