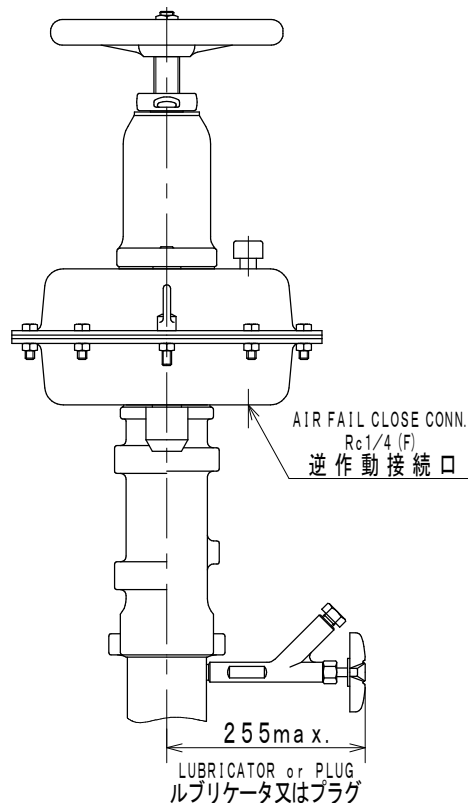


Control Valve Data Sheet

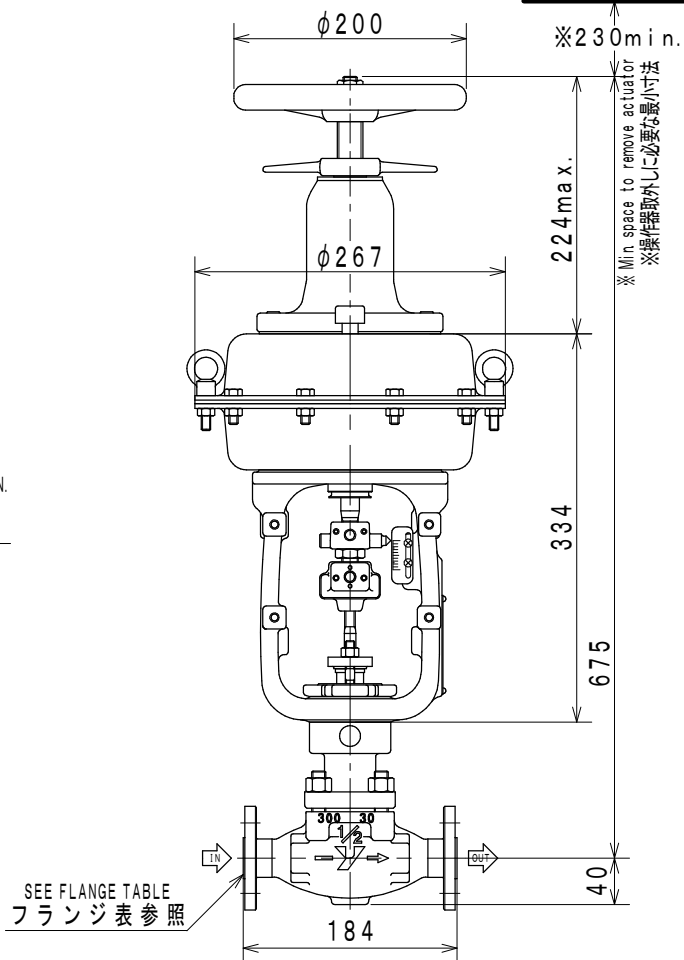
Item No. / Qty	1	1	Ref. No.	
Tag No.	S102		Purchaser	
Service			End user	
<Control valve>			<Remarks>	
Model	HLS		SV0703-105 Indicating unit : "kgf/cm2" SV0201-003 Seat leakage: Less than 0.01%CV (Equivalent IEC, JIS Class IV) Old Production No : R-5N735-41-130(1995)	
Description	Small-Port Single Seated Control Valves			
Body/Port size	1/2 in.	Cv=2.5		
Conn. Size. / Rated CV	2.5			
Rating / Conn. Type	ANSI150	RF		
Body material	SCPH2			
Trim material	SUS316			
Flow characteristic	LINEAR			
Bonnet	PLAIN (-17 to 230 degC)			
Actuator / Handle	HA2R	TOP		
Action	AIR TO OPEN			
Gland packing / Grease	V-PTFE	---		
Gasket	V543			
Air supply / Spring range	2.8kgf/cm2	0.8-2.4kgf/cm2		
Seat leakage	CLASS IV			
Color: Body/Diaph./Yoke	M10B5/10	M10B5/10	M10B5/10	
Paint	Standard			
<Accessories>				
Positioner				
Structure				
Input signal				
Regulator				
Regulator2				
Limit switch				
Action				
Solenoid valve				
Action / Power				
Booster				
Air lock valve				
<Process data>				
Fluid name/Phase	STEAM			
	MAX	NOR	MIN	Unit
Flow rate				kg/h
Inlet pressure	5			kgf/cm2A
Outlet pressure				kgf/cm2A
Differential press.	0.5			kgf/cm2
Shut-off press.		5		kgf/cm2
Temperature	150			degC
Density/Gravity(Liq)				kg/m3
Density/Gravity(G,V)	2.621			kg/m3(A)
Viscosity	0.01414			mPa-s
Flash				%
Calculated CV				
Travel				%
Outlet velocity				Mach
Predictive SPL				dBA
<Piping spec.>				
Strength Calc. Sheet				
Design				kgf/cm2G
Temp.				degC
Size				
Sch No.				
Thickness				
Azbil Corporation				

* The drawing shall be handled as reference.
 * この図面は参考情報として取扱いをお願いします。

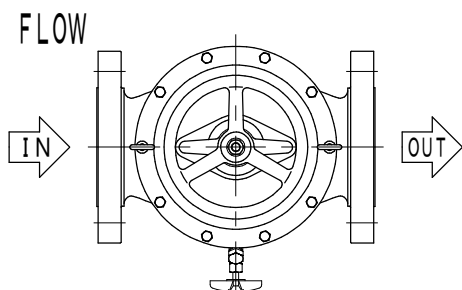
1



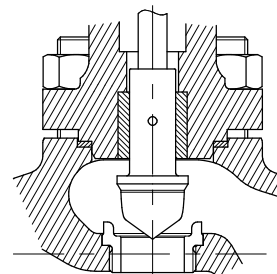
2



3



ORIENTATION
 配管取付姿勢 No. 1



TRIM STRUCTURE (EXAMPLE)
 トリム構成図 (参考)

4

PROD. No. :
 工事番号 :

TAG No. : S102

UNIT : mm

5

NOMINAL SIZE(INCH) 口径 (B)	RATING 圧力定格 (フランジ規格年度)	END CONNECTION 接続形式	BONNET TYPE 上蓋形式	ACTUATOR 操作器	VALVE ACTION 弁作動	TRAVEL トラベル	WEIGHT 概算質量(kg)
1/2	ANSI150 (1981)	RF	PLAIN TYPE 常温形	HA2R THM	AIR TO OPEN	14.3	35

Small-Port Single-Seated Control Valve
 小口径形単座調節弁

MODEL No.

HLS

Azbil Corporation

DRAWING No.

HLS-4A1R1E-VCRT0A0

REV.

0

A

B

C

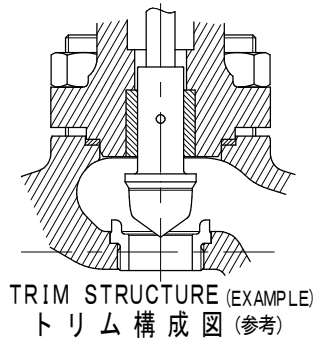
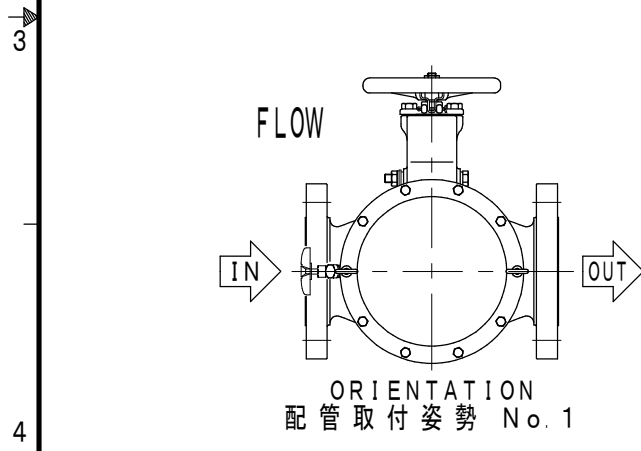
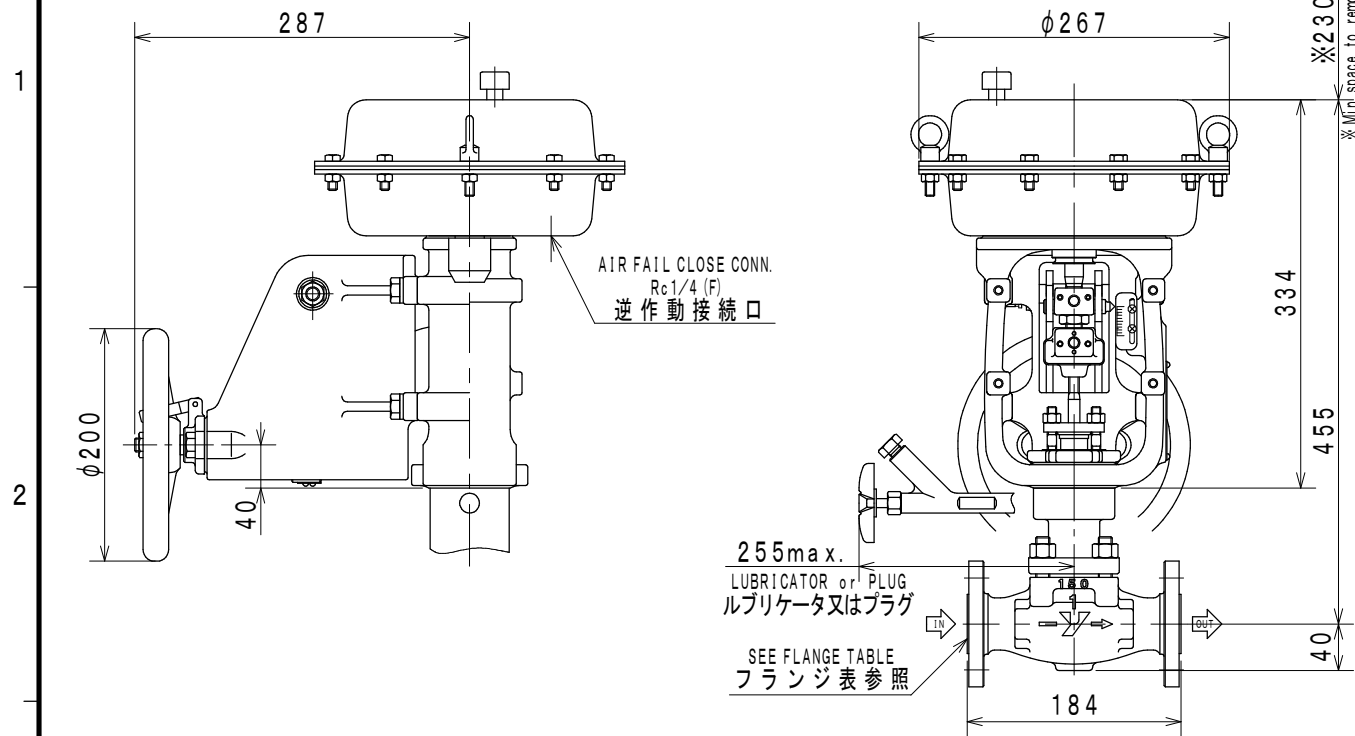
D

E

Control Valve Data Sheet

Item No. / Qty	2	1	Ref. No.	
Tag No.	N103		Purchaser	
Service			End user	
<Control valve>			<Remarks>	
Model	HLS		SV0703-105 Indicating unit : "kgf/cm2" SV0201-003 Seat leakage: Less than 0.01%CV (Equivalent IEC, JIS Class IV) Old Production No : R-5N735-41-120(1995)	
Description	Small-Port Single Seated Control Valves			
Body/Port size	1 in.	Cv=14		
Conn. Size. / Rated CV	14			
Rating / Conn. Type	ANSI150	RF		
Body material	SCPH2			
Trim material	SUS316			
Flow characteristic	LINEAR			
Bonnet	PLAIN (-17 to 230 degC)			
Actuator / Handle	HA2R	SIDE		
Action	AIR TO OPEN			
Gland packing / Grease	V-PTFE	---		
Gasket	V543			
Air supply / Spring range	2.8kgf/cm2	0.8-2.4kgf/cm2		
Seat leakage	CLASS IV			
Color: Body/Diaph./Yoke	M10B5/10	M10B5/10	M10B5/10	
Paint	Standard			
<Accessories>				
Positioner				
Structure				
Input signal				
Regulator				
Regulator2				
Limit switch				
Action				
Solenoid valve				
Action / Power				
Booster				
Air lock valve				
<Process data>				
Fluid name/Phase	N2 Gas			
	MAX	NOR	MIN	Unit
Flow rate				m3/h
Inlet pressure	5			kgf/cm2G
Outlet pressure	1			kgf/cm2G
Differential press.				kgf/cm2
Shut-off press.	5			kgf/cm2
Temperature	20			degC
Density/Gravity(Liq)				kg/m3
Density/Gravity(G,V)				MW
Viscosity				mPa-s
Flash				%
Calculated CV				
Travel				%
Outlet velocity				
Predictive SPL				dBA
<Piping spec.>				
Strength Calc. Sheet				
Design				kgf/cm2G
Temp.				degC
Size				
Sch No.				
Thickness				
Azbil Corporation				

* The drawing shall be handled as reference.
 * この図面は参考情報として取扱いをお願いします。



PROD. No. :
 工事番号 :
 TAG No. : N103

UNIT : mm

NOMINAL SIZE(INCH) 口径 (B)	RATING 圧力定格 (フランジ規格年度)	END CONNECTION 接続形式	BONNET TYPE 上蓋形式	ACTUATOR 操作器	VALVE ACTION 弁作動	TRAVEL トラベル	WEIGHT 概算質量(kg)
1	ANSI150 (1981)	RF	PLAIN TYPE 常温形	HA2R SHM	AIR TO OPEN	14.3	38
Small-Port Single-Seated Control Valve 小口径形単座調節弁					MODEL No. HLS		
Azbil Corporation					DRAWING No. HLS-8A1R1E-VCRS0A0		REV. 0

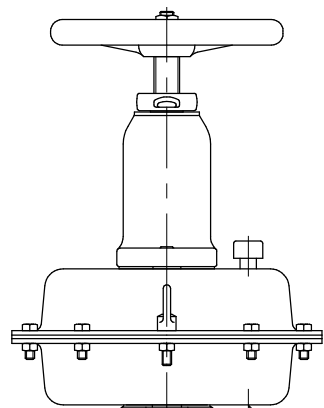
A B C D E

Control Valve Data Sheet

Item No. / Qty	3	1	Ref. No.	
Tag No.	F108		Purchaser	
Service			End user	
<Control valve>			<Remarks>	
Model	HLS		SV0703-105 Indicating unit : "kgf/cm2" SV0201-003 Seat leakage: Less than 0.01%CV (Equivalent IEC, JIS Class IV) Old Production No : R-5N735-41-010(1995)	
Description	Small-Port Single Seated Control Valves			
Body/Port size	3/4 in.	Cv=6.3		
Conn. Size. / Rated CV	6.3			
Rating / Conn. Type	ANSI300	RF		
Body material	SCPH2			
Trim material	SUS316			
Flow characteristic	LINEAR			
Bonnet	PLAIN (-17 to 230 degC)			
Actuator / Handle	HA2R	TOP		
Action	AIR TO OPEN			
Gland packing / Grease	V-PTFE	---		
Gasket	V543			
Air supply / Spring range	2.8kgf/cm2	0.8-2.4kgf/cm2		
Seat leakage	CLASS IV			
Color: Body/Diaph./Yoke	M10B5/10	M10B5/10	M10B5/10	
Paint	Standard			
<Accessories>				
Positioner				
Structure				
Input signal				
Regulator				
Regulator2				
Limit switch				
Action				
Solenoid valve				
Action / Power				
Booster				
Air lock valve				
<Process data>				
Fluid name/Phase	Fuel Oil			
	MAX	NOR	MIN	Unit
Flow rate				m3/h
Inlet pressure	25			kgf/cm2G
Outlet pressure	1			kgf/cm2G
Differential press.				kgf/cm2
Shut-off press.	26			kgf/cm2
Temperature	110			degC
Density/Gravity(Liq)				kg/m3
Density/Gravity(G,V)				MW
Viscosity				mPa-s
Flash				%
Calculated CV				
Travel				%
Outlet velocity				
Predictive SPL				dBA
<Piping spec.>				
Strength Calc. Sheet				
Design				kgf/cm2G
Temp.				degC
Size				
Sch No.				
Thickness				
Azbil Corporation				

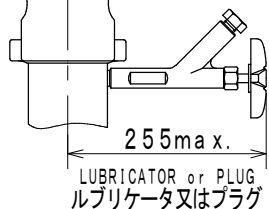
* The drawing shall be handled as reference.
 * この図面は参考情報として取扱いをお願いします。

1



AIR FAIL CLOSE CONN.
 Rc1/4 (F)
 逆作動接続口

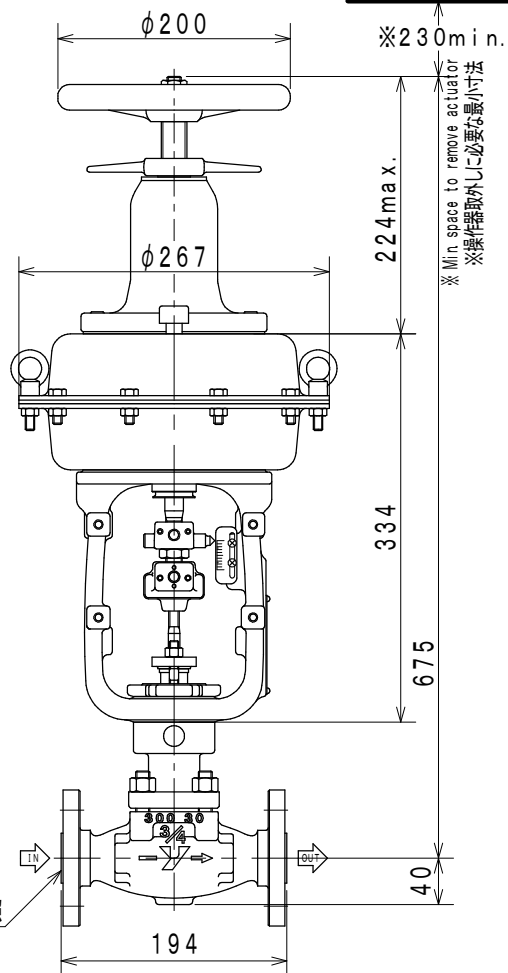
2



255ma x.
 LUBRICATOR or PLUG
 ルブリケータ又はプラグ

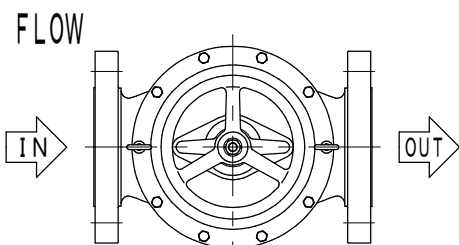
3

SEE FLANGE TABLE
 フランジ表参照

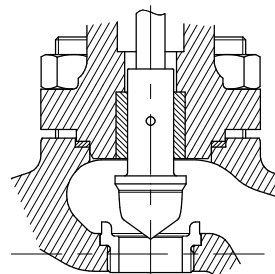


※ 230min.
 ※ Min. space to remove actuator
 ※ 操作器取り出しに必要な最小寸法

4



ORIENTATION
 配管取付姿勢 No. 1



TRIM STRUCTURE (EXAMPLE)
 トリム構成図 (参考)

PROD. No. :
 工事番号 :

TAG No. : F108

UNIT : mm

5

NOMINAL SIZE(INCH) 口径 (B)	RATING 圧力定格 (フランジ規格年度)	END CONNECTION 接続形式	BONNET TYPE 上蓋形式	ACTUATOR 操作器	VALVE ACTION 弁作動	TRAVEL トラベル	WEIGHT 概算質量(kg)
3/4	ANSI 300 (1981)	RF	PLAIN TYPE 常温形	HA2R THM	AIR TO OPEN	14.3	37

Small-Port Single-Seated Control Valve
 小口径形単座調節弁

MODEL No.

HLS

Azbil Corporation

DRAWING No.

HLS-6A3R1E-VCRT0A0

REV.

0

A

B

C

D

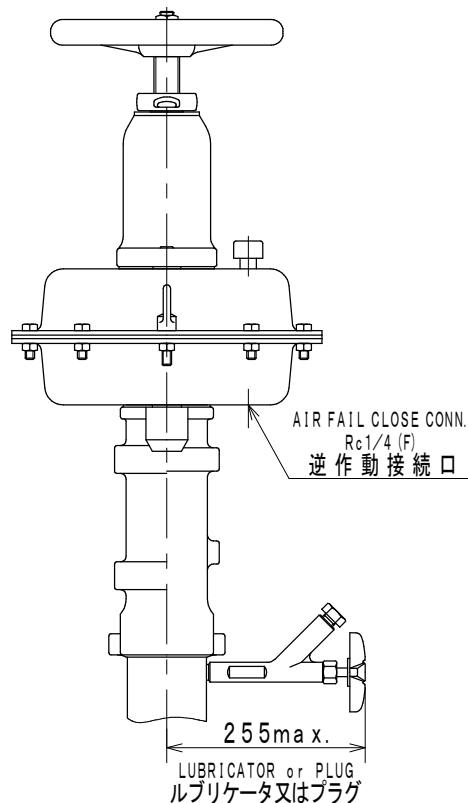
E

Control Valve Data Sheet

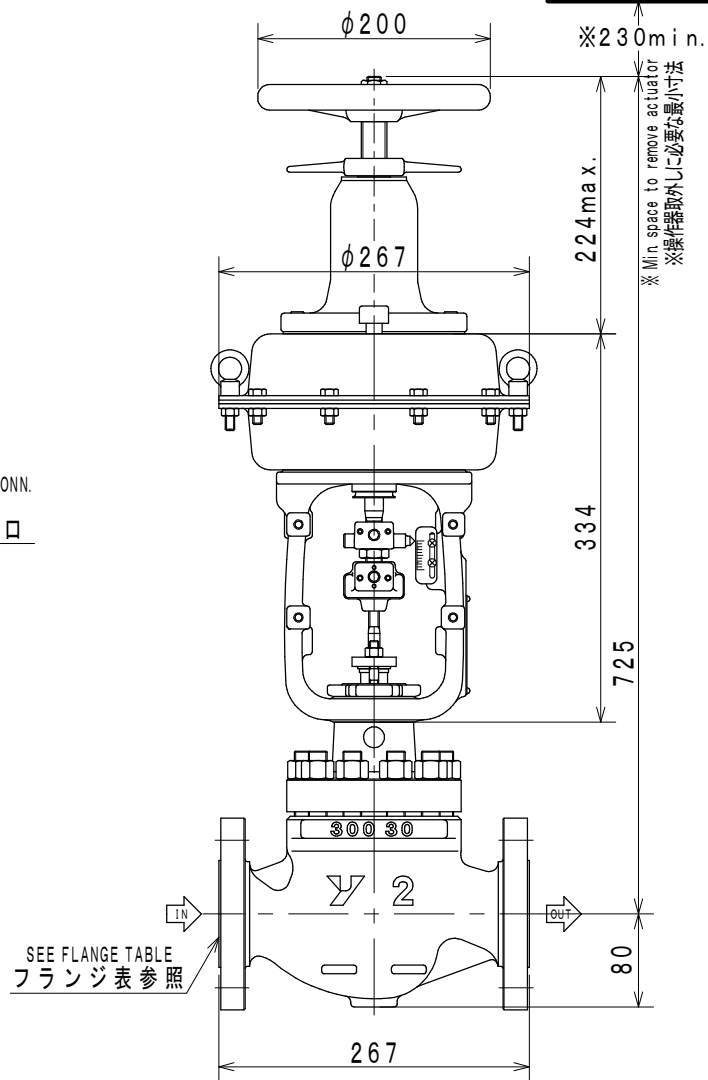
Item No. / Qty	4	1	Ref. No.			
Tag No.	G107		Purchaser			
Service			End user			
<Control valve>			Project			
			<Remarks>			
Model	HTS		SV0703-105 Indicating unit : "kgf/cm2" SV0201-003 Seat leakage: Less than 0.01%CV (Equivalent IEC, JIS Class IV) Old Production No : R-5N735-41-080(1995)			
Description	Top-Guided Single Seated Control Valves					
Body/Port size	2 in.	2 in.				
Conn. Size. / Rated CV					50	
Rating / Conn. Type	ANSI300	RF				
Body material	SCPH2					
Trim material	SUS316					
Flow characteristic	LINEAR					
Bonnet	PLAIN (-17 to 230 degC)					
Actuator / Handle	HA2R	TOP				
Action	AIR TO OPEN					
Gland packing / Grease	V-PTFE	---				
Gasket	V543					
Air supply / Spring range	2.8kgf/cm2	0.8-2.4kgf/cm2				
Seat leakage	CLASS IV					
Color: Body/Diaph./Yoke	M10B5/10	M10B5/10			M10B5/10	
Paint	Standard					
<Accessories>						
Positioner						
Structure						
Input signal						
Regulator						
Regulator2						
Limit switch						
Action						
Solenoid valve						
Action / Power						
Booster						
Air lock valve						
<Process data>						
Fluid name/Phase	Boil Off Gas					
	MAX	NOR	MIN	Unit		
Flow rate				m3/h		
Inlet pressure	0.65			kgf/cm2G		
Outlet pressure				kgf/cm2G		
Differential press.	0.65			kgf/cm2		
Shut-off press.		0.65		kgf/cm2		
Temperature	20			degC		
Density/Gravity(Liq)				kg/m3		
Density/Gravity(G,V)				MW		
Viscosity				mPa-s		
Flash				%		
Calculated CV						
Travel				%		
Outlet velocity						
Predictive SPL				dBA		
<Piping spec.>						
Strength Calc. Sheet						
Design				kgf/cm2G		
Temp.				degC		
Size						
Sch No.						
Thickness						
Azbil Corporation						

* The drawing shall be handled as reference.
 * この図面は参考情報として取扱いをお願いします。

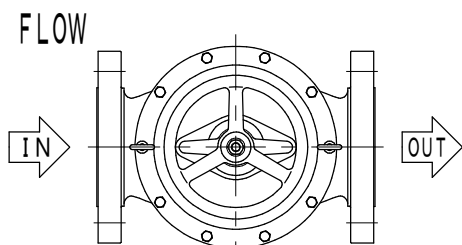
1



2

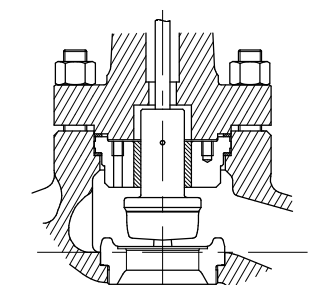


3



ORIENTATION
配管取付姿勢 No. 1

4



TRIM STRUCTURE (EXAMPLE)
トリム構成図 (参考)

PROD. No. :
工事番号 :

TAG No. : G107

UNIT : mm

5

NOMINAL SIZE(INCH) 口径 (B)	RATING 圧力定格 (フランジ規格年度)	END CONNECTION 接続形式	BONNET TYPE 上蓋形式	ACTUATOR 操作器	VALVE ACTION 弁作動	TRAVEL トラベル	WEIGHT 概算質量(kg)
2	ANSI 300 (1981)	RF	PLAIN TYPE 常温形	HA2R THM	AIR TO OPEN	25	55

Top-Guide Single-Seated Control Valve
トップガイド形単座調節弁

MODEL No.

HTS

Azbil Corporation

DRAWING No.

HTS-BA3R1E-VCRT0A0

REV.

0

A

B

C

D

E