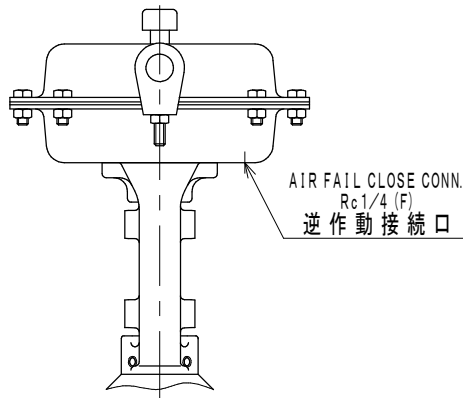


Control Valve Data Sheet

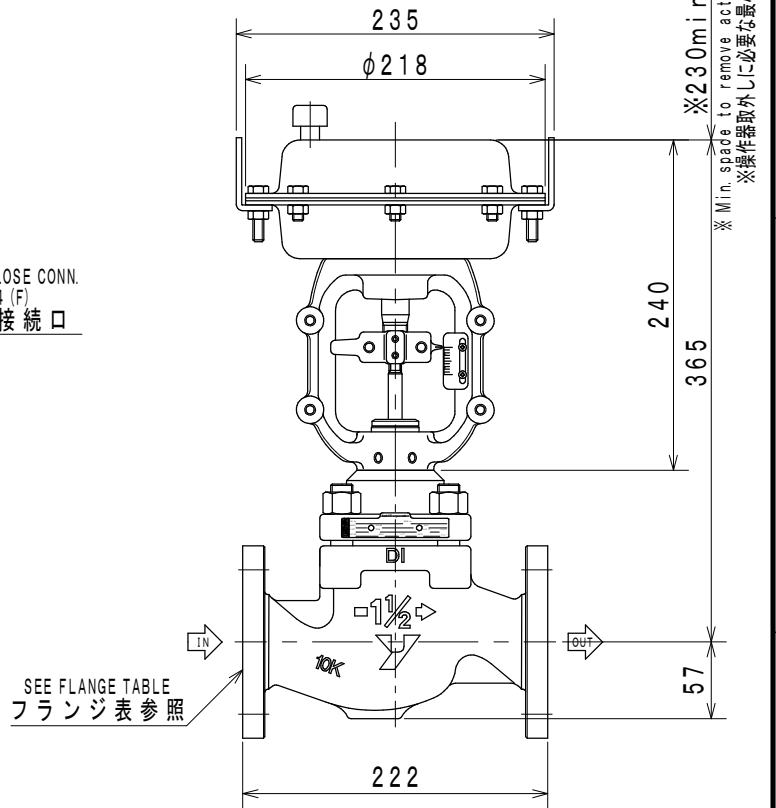
Item No. / Qty	1	1	Ref. No.			
Tag No.	HK2626		Purchaser			
Service			End user			
<Control valve>			Project			
			<Remarks>			
Model	ACT		SV0703-105 Indicating unit : "kgf/cm2" SV0201-003 Seat leakage: Less than 0.01%CV (Equivalent IEC, JIS Class IV) Old Production No : R-R5525-41-010(1984)			
Description	New10-III Series Single-Seat Control Valves					
Body/Port size	1-1/2 in.	1-1/2 in.				
Conn. Size. / Rated CV					30	
Rating / Conn. Type	JIS10K	FF				
Body material	SCPH2					
Trim material	SUS316					
Flow characteristic	EQ%					
Bonnet	PLAIN (-5 to 200 degC)					
Actuator / Handle	PSK1R	---				
Action	AIR TO OPEN					
Gland packing / Grease	V-PTFE	---				
Gasket	V543(PTFE)					
Air supply / Spring range	3.5kgf/cm2	1.2-3.0kgf/cm2				
Seat leakage	CLASS IV					
Color: Body/Diaph./Yoke	M10B5/10	M10B5/10			M10B5/10	
Paint	Standard					
<Accessories>						
Positioner						
Structure						
Input signal						
Regulator						
Regulator2						
Limit switch						
Action						
Solenoid valve						
Action / Power						
Booster						
Air lock valve						
<Process data>						
Fluid name/Phase	STEAM		STEAM			
	MAX	NOR	MIN	Unit		
Flow rate				kg/h		
Inlet pressure	9			kgf/cm2G		
Outlet pressure	8.5			kgf/cm2G		
Differential press.				kgf/cm2		
Shut-off press.				kgf/cm2		
Temperature	180			degC		
Density/Gravity(Liq)				kg/m3		
Density/Gravity(G,V)	5.055			kg/m3(A)		
Viscosity	0.01522			mPa-s		
Flash				%		
Calculated CV						
Travel				%		
Outlet velocity				Mach		
Predictive SPL				dBA		
<Piping spec.>						
Strength Calc. Sheet						
Design				kgf/cm2G		
Temp.				degC		
Size						
Sch No.						
Thickness						
Azbil Corporation						

* The drawing shall be handled as reference.
 * この図面は参考情報として取扱いをお願いします。

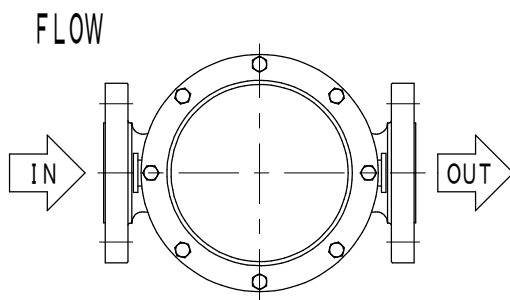
1



2

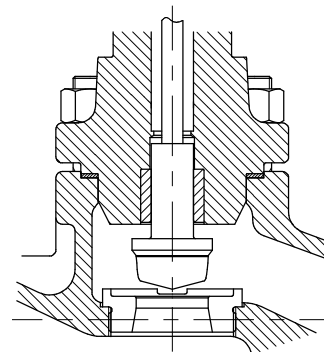


3



ORIENTATION
 配管取付姿勢 No. 1

4



TRIM STRUCTURE (EXAMPLE)
 トリム構成図 (参考)

PROD. No. :
 工事番号 :

TAG No. : HK2626

UNIT : mm

5

NOMINAL SIZE(INCH) 口径 (B)	RATING 圧力定格 (フランジ規格年度)	END CONNECTION 接続形式	BONNET TYPE 上蓋形式	ACTUATOR 操作器	VALVE ACTION 弁作動	TRAVEL トラベル	WEIGHT 概算質量(kg)
1 1/2	JIS10K (1984)	FF	PLAIN TYPE 常温形	PSK1R	AIR TO OPEN	20	27

Pneumatically-Operated Single-Seated Control Valve
 NEW 10-III 空気式単座調節弁

MODEL No.
 ACT

Azbil Corporation

DRAWING No.
 ACT-A10F1E-KAR00A0
 REV.
 0

A

B

C

D

E