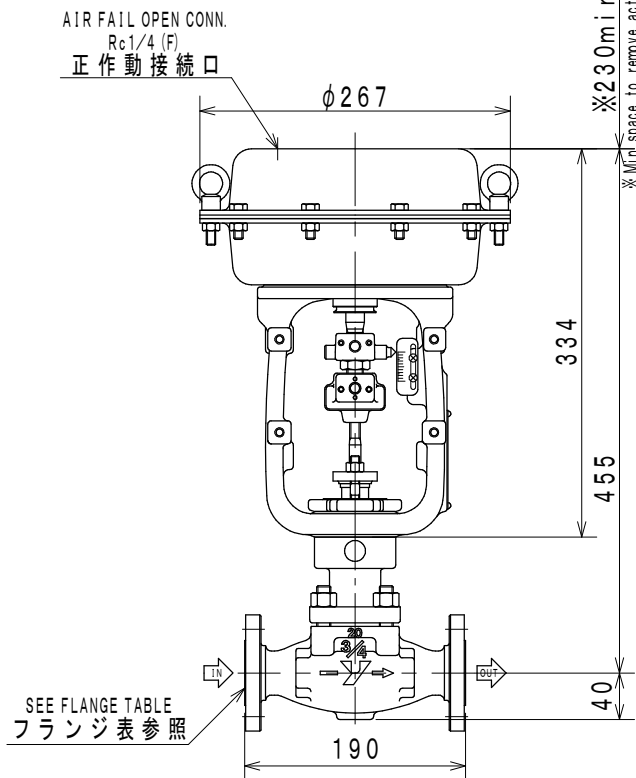
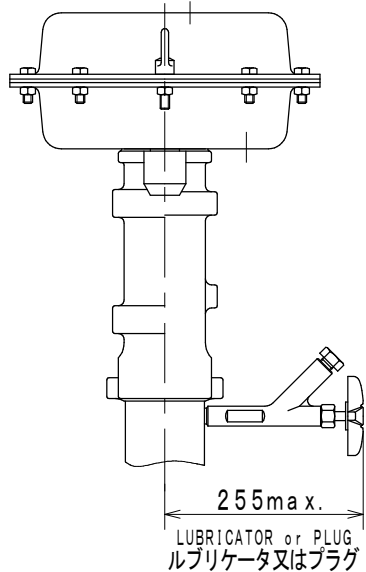


Control Valve Data Sheet

Item No. / Qty	1	1	Ref. No.	
Tag No.	WNO.12858		Purchaser	
Service			End user	
<Control valve>			Project	
			<Remarks>	
Model	HLS		SV0703-105 Indicating unit : "kgf/cm2" SV0201-003 Seat leakage: Less than 0.01%CV (Equivalent IEC, JIS Class IV) Old Production No : R-5N645-41-010	
Description	Small-Port Single Seated Control Valves			
Body/Port size	3/4 in.	Cv=4.0		
Conn. Size. / Rated CV	4.0			
Rating / Conn. Type	JIS16K	RF		
Body material	SCPH2			
Trim material	SUS316			
Flow characteristic	EQ%			
Bonnet	PLAIN (-17 to 230 degC)			
Actuator / Handle	HA2D	---		
Action	AIR TO CLOSE			
Gland packing / Grease	V-PTFE	---		
Gasket	V543			
Air supply / Spring range	1.4kgf/cm2	0.2-1.0kgf/cm2		
Seat leakage	CLASS IV			
Color: Body/Diaph./Yoke	M5B4/1	M5B4/1	M5B4/1	
Paint	Standard			
<Accessories>				
Positioner				
Structure				
Input signal				
Regulator				
Regulator2				
Limit switch				
Action				
Solenoid valve				
Action / Power				
Booster				
Air lock valve				
<Process data>				
Fluid name/Phase	WATER			LIQUID
	MAX	NOR	MIN	Unit
Flow rate				m3/h
Inlet pressure				kgf/cm2G
Outlet pressure				kgf/cm2G
Differential press.				kgf/cm2
Shut-off press.				kgf/cm2
Temperature	60			degC
Density/Gravity(Liq)				kg/m3
Density/Gravity(G,V)				MW
Viscosity				mPa-s
Flash				%
Calculated CV				
Travel				%
Inlet velocity				m/s
Predictive SPL				dBA
<Piping spec.>				
Strength Calc. Sheet				
Design				kgf/cm2G
Temp.				degC
Size				
Sch No.				
Thickness				
Azbil Corporation				

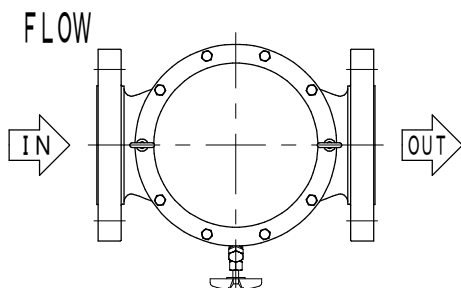
* The drawing shall be handled as reference.
 * この図面は参考情報として取扱いをお願いします。

1

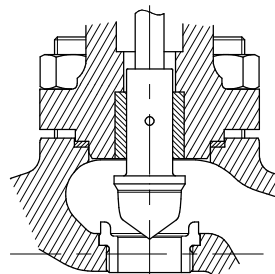


2

3



ORIENTATION
 配管取付姿勢 No. 1



TRIM STRUCTURE (EXAMPLE)
 トリム構成図 (参考)

4

PROD. No. :
 工事番号 :

TAG No. : WNO. 12858

UNIT : mm

5

NOMINAL SIZE (INCH) 口径 (B)	RATING 圧力定格 (フランジ規格年度)	END CONNECTION 接続形式	BONNET TYPE 上蓋形式	ACTUATOR 操作器	VALVE ACTION 弁作動	TRAVEL トラベル	WEIGHT 概算質量 (kg)
3/4	JIS16K (1984)	RF	PLAIN TYPE 常温形	HA2D	AIR TO CLOSE	14.3	29

Small-Port Single-Seated Control Valve
 小口径形単座調節弁

MODEL No.

HLS

Azbil Corporation

DRAWING No.

HLS-616R1E-VDD00A0

REV.

0

A

B

C

D

E