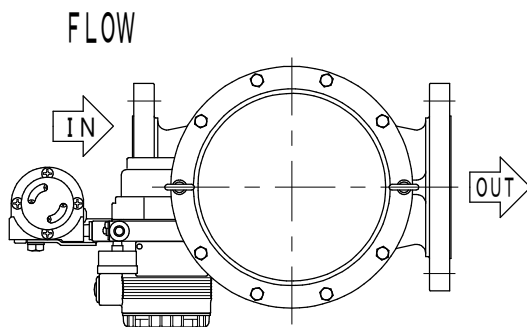
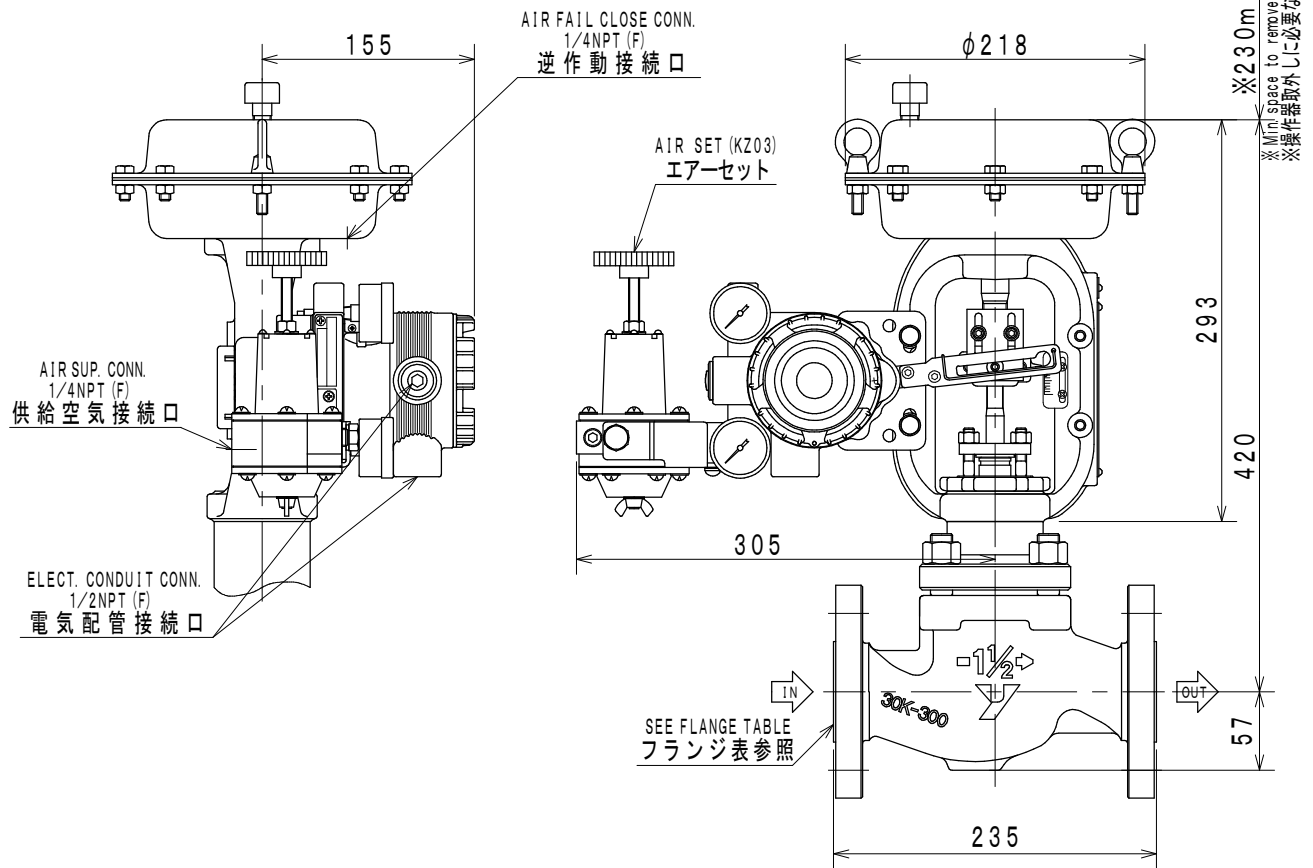


Control Valve Data Sheet

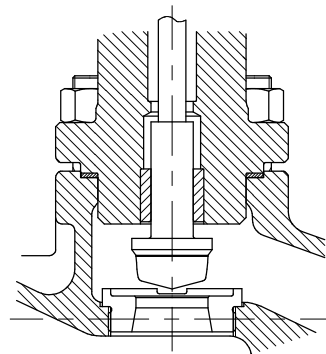
Item No. / Qty	1	1	Ref. No.	
Tag No.	202-LV-401		Purchaser	
Service			End user	
			Project	
<Control valve>			<Remarks>	
Model	AGVM		SV0703-105 Indicating unit : "kgf/cm2"	
Description	Top-Guided Single-Seat Control Valves		SV0601-001 Air piping Connection: 1/4 NPT	
Body/Port size	1-1/2 in.	1 in.	SV0602-007 Air piping: Vinyl covered copper tube. Joint: Swagelok joint.	
Conn. Size. / Rated CV			SV0101-005 Flange facing finish : Serration ASME B16.5(125 ~ 250AARH)	
Rating / Conn. Type	ANSI300	RF	SV0201-003 Seat leakage: Less than 0.01%CV (Equivalent IEC, JIS Class IV)	
Body material	A216WCB		HART AVP SP No.5	
Trim material	SUS316 STELLITE		Azbil recommend Body Size : 1-1/2B, because the velocity is very high in the case of 1B	
Flow characteristic	EQ%		Azbil select 'SUS316 Stellite' for the trim material	
Bonnet	PLAIN (-17 to 230 degC)			
Actuator / Handle	PSA1R	---		
Action	AIR TO OPEN			
Gland packing / Grease	P4519	---		
Gasket	V543(PTFE)			
Air supply / Spring range	2.8kgf/cm2	0.8-2.4kgf/cm2		
Seat leakage	CLASS IV			
Color: Body/Diaph./Yoke	M10B5/10	M10B5/10	M10B5/10	
Paint	Heat Resistant			
<Accessories>				
Positioner	AVP302-FSD2B-1DYS-X			
Structure	FM Explosionproof & Flameproof, 1/4 NPT, 1/2 NPT			
Input signal	4-20 mADC			
Regulator	KZ03-2B-XX	1		
Regulator2				
Limit switch				
Action				
Solenoid valve				
Action / Power				
Booster				
Air lock valve				
<Process data>				
Fluid name/Phase	Condensate			LIQUID
	MAX	NOR	MIN	Unit
Flow rate	12480			kg/h
Inlet pressure	7.4			kgf/cm2G
Outlet pressure				kgf/cm2G
Differential press.	5.5			kgf/cm2
Shut-off press.	20			kgf/cm2
Temperature	103			degC
Density/Gravity(Liq)	960			kg/m3
Density/Gravity(G,V)				MW
Viscosity	0.28			cP
Flash				%
Calculated CV	6.359			
Travel	70			%
Inlet velocity	3.271			m/s
Predictive SPL	61			dBA
<Piping spec.>				
Strength Calc. Sheet				
Design			kgf/cm2G	
Temp.			degC	
Size	2 in.	2 in.		
Sch No.	40	40		
Thickness	3.9	3.9		
Azbil Corporation				

* The drawing shall be handled as reference.
 * この図面は参考情報として取扱いをお願いします。

1
2
3
4
5



ORIENTATION
配管取付姿勢 No. 1



TRIM STRUCTURE (EXAMPLE)
トリム構成図 (参考)

PROD. No. :
 工事番号 :
 TAG No. : 202-LV-401

UNIT : mm

NOMINAL SIZE (INCH) 口径 (B)	RATING 圧力定格 (フランジ規格年度)	END CONNECTION 接続形式	BONNET TYPE 上蓋形式	ACTUATOR 操作器	VALVE ACTION 弁作動	TRAVEL トラベル	WEIGHT 概算質量 (kg)
1 1/2	ANSI 300 (1988)	RF	PLAIN TYPE 常温形	PSA1R	AIR TO OPEN	20	36

Top-Guide Single-Seated Control Valve
 トップガイド形単座調節弁

MODEL No.
 A G V M

Azbil Corporation

DRAWING No.
 AGVM-AA3R1E-BAR04B0

REV.
 0

A B C D E

* The drawing shall be handled as reference.
 * この図面は参考情報として取扱いをお願いします。

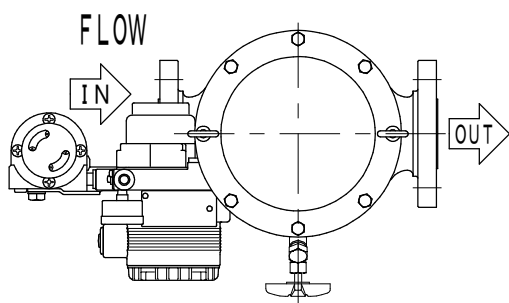
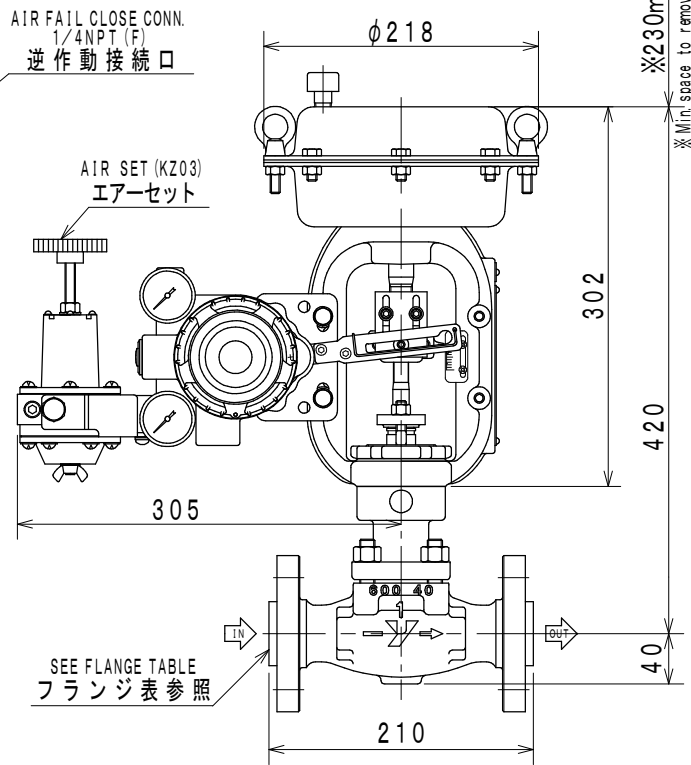
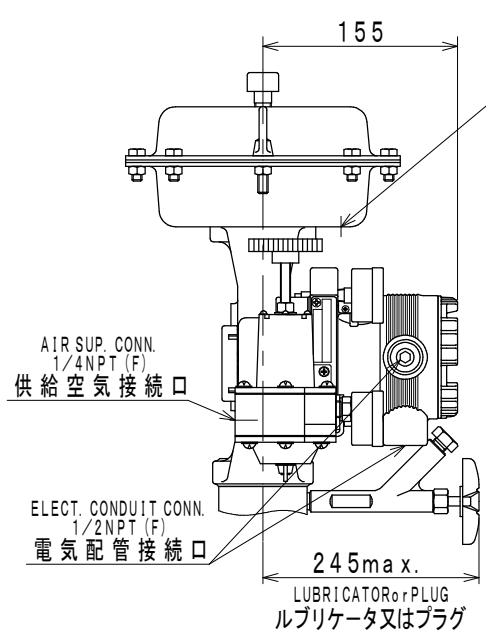
1

2

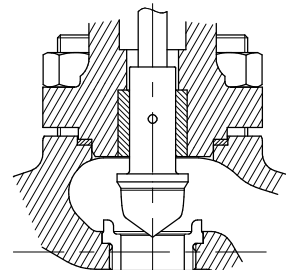
3

4

5



ORIENTATION
配管取付姿勢 No. 1



TRIM STRUCTURE (EXAMPLE)
トリム構成図 (参考)

PROD. No. :
 工事番号 :
 TAG No. : 202-TV-504

UNIT : mm

NOMINAL SIZE (INCH) 口径 (B)	RATING 圧力定格 (フランジ規格年度)	END CONNECTION 接続形式	BONNET TYPE 上蓋形式	ACTUATOR 操作器	VALVE ACTION 弁作動	TRAVEL トラベル	WEIGHT 概算質量 (kg)
1	ANSI 600 (1981)	RF	PLAIN TYPE 常温形	PSA1R	AIR TO OPEN	14.3	25

Small-Port Single-Seated Control Valve
 小口径形単座調節弁

MODEL No.
 HLS

Azbil Corporation

DRAWING No.
 HLS-8A6R1E-BAR04B0

REV.
 0

A B C D E