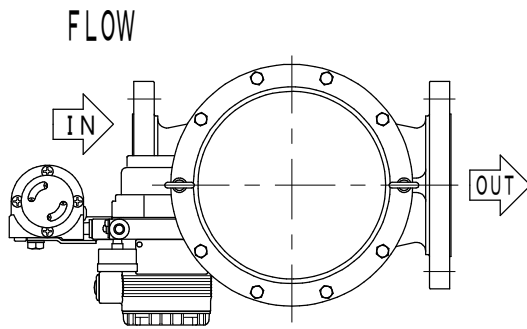
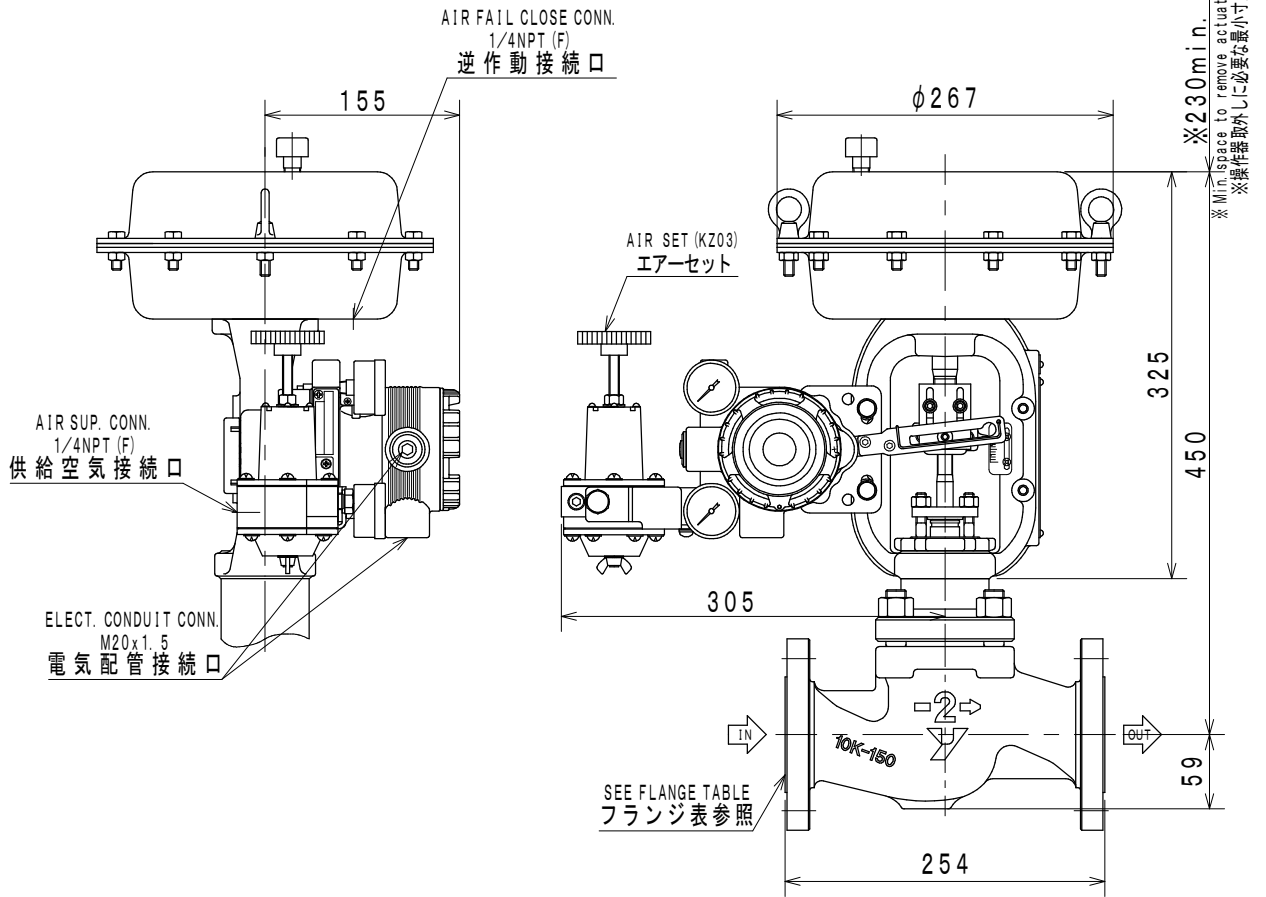


# Control Valve Data Sheet

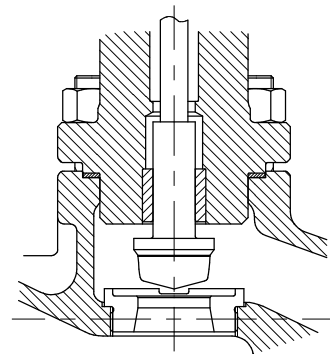
Item No. / Qty	1	1	Ref. No.	
Tag No.	TCV-11		Purchaser	
Service			End user	
<Control valve>			Project	
			<Remarks>	
Model	AGVB		SV0703-105 Indicating unit : "kgf/cm2"	
Description	Top-Guided Single-Seat Control Valves		SV0601-001 Air piping Connection: 1/4 NPT	
Body/Port size	2 in.	2 in.	SV0602-002 Air piping: Vinyl covered copper tube. Joint:Cr plated with vinyl cap	
Conn. Size. / Rated CV			SV0101-005 Flange facing finish : Serration ASME B16.5(125 ~ 250AARH)	
Rating / Conn. Type	ANSI150	RF	SV0201-003 Seat leakage: Less than 0.01%CV (Equivalent IEC, JIS Class IV)	
Body material	SCPH2		HART AVP SP No.5	
Trim material	SUS316 STELLITE		Old Production No : S-C5631-41-060(1985)	
Flow characteristic	EQ%			
Bonnet	PLAIN (-17 to 230 degC)			
Actuator / Handle	PSA2R	---		
Action	AIR TO OPEN			
Gland packing / Grease	P4519	---		
Gasket	V543(PTFE)			
Air supply / Spring range	2.8kgf/cm2	0.8-2.4kgf/cm2		
Seat leakage	CLASS IV			
Color: Body/Diaph./Yoke	M10B5/10	M10B5/10	M10B5/10	
Paint	Heat Resistant			
<Accessories>				
Positioner	AVP302-CSD2B-1DYS-X			
Structure	ATEX Flameproof, 1/4 NPT, M20x1.5			
Input signal	4-20 mADC			
Regulator	KZ03-2B-XX		1	
Regulator2				
Limit switch				
Action				
Solenoid valve				
Action / Power				
Booster				
Air lock valve				
<Process data>				
Fluid name/Phase			STEAM	
	MAX	NOR	MIN	Unit
Flow rate	1500			kg/h
Inlet pressure	8			kgf/cm2G
Outlet pressure	7			kgf/cm2G
Differential press.	1			kgf/cm2
Shut-off press.	9			kgf/cm2
Temperature	198			degC
Density/Gravity(Liq)				kg/m3
Density/Gravity(G,V)	4.292			kg/m3(A)
Viscosity	0.01589			mPa-s
Flash				%
Calculated CV	28.26			
Travel	75			%
Outlet velocity	0.1035			Mach
Predictive SPL	71			dBA
<Piping spec.>				
Strength Calc. Sheet				
Design				kgf/cm2G
Temp.				degC
Size				
Sch No.				
Thickness				
<b>Azbil Corporation</b>				

\* The drawing shall be handled as reference.  
 \* この図面は参考情報として取扱いをお願いします。

1  
2  
3  
4  
5



ORIENTATION  
配管取付姿勢 No. 1



PROD. No. :  
工事番号 :  
TAG No. : TCV-11

UNIT : mm

NOMINAL SIZE(INCH) 口径 (B)	RATING 圧力定格 (フランジ規格年度)	END CONNECTION 接続形式	BONNET TYPE 上蓋形式	ACTUATOR 操作器	VALVE ACTION 弁作動	TRAVEL トラベル	WEIGHT 概算質量(kg)
2	ANSI 150 (1988)	RF	PLAIN TYPE 常温形	PSA2R	AIR TO OPEN	20	37

Top-Guide Single-Seated Control Valve  
トップガイド形単座調節弁

MODEL No.  
AGVB

**Azbil Corporation**

DRAWING No.  
AGVB-BA1R1E-BCR04C0

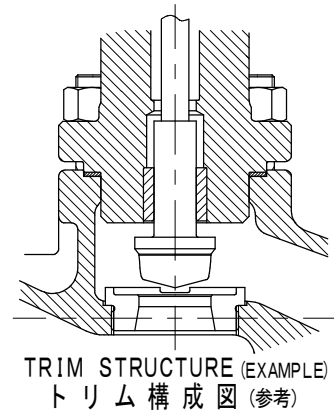
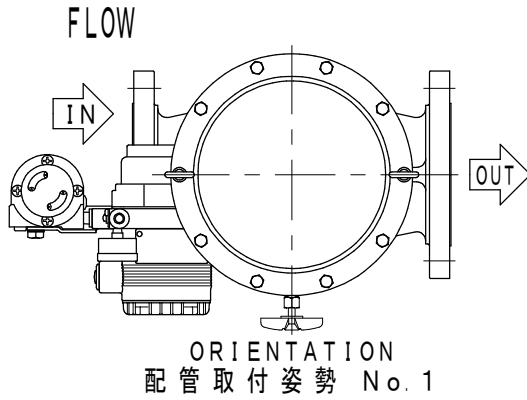
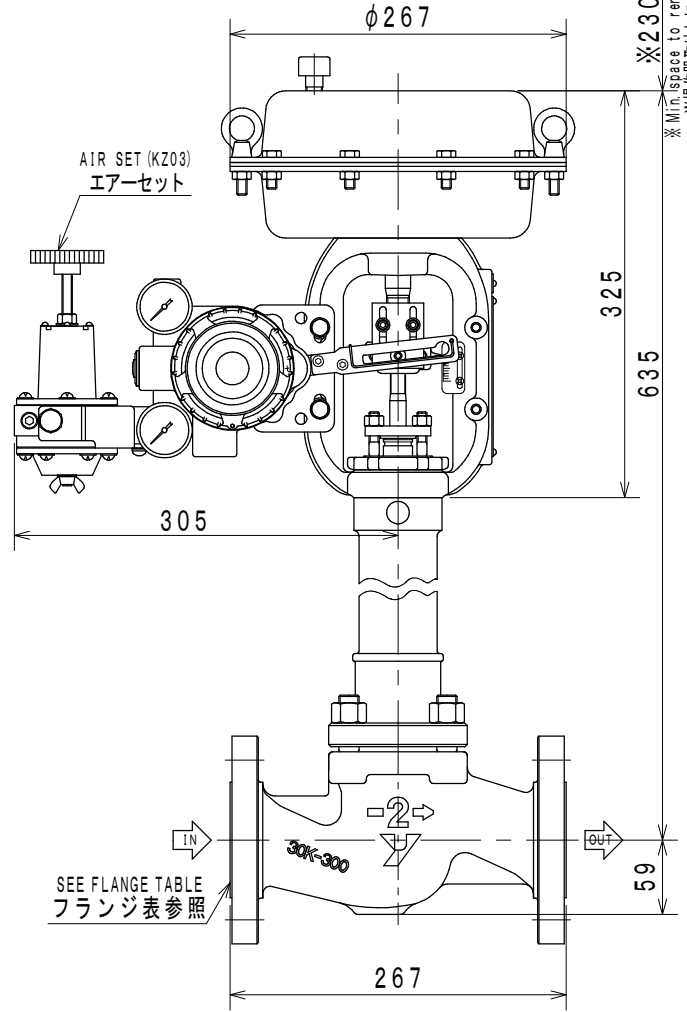
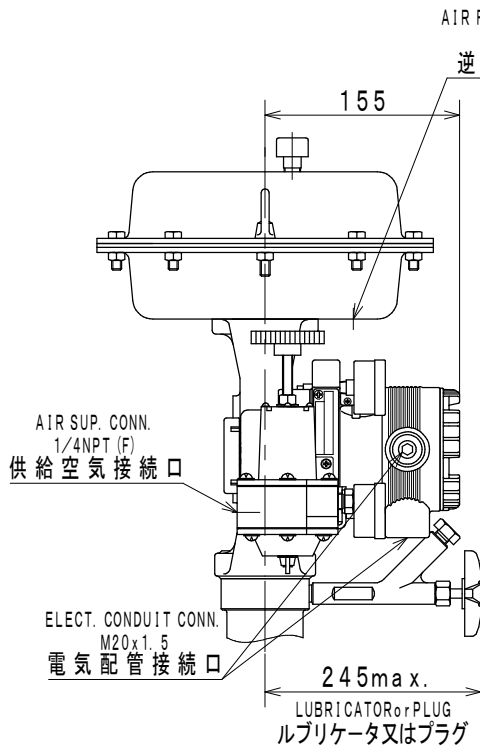
REV.  
0

A B C D E



\* The drawing shall be handled as reference.  
 \* この図面は参考情報として取扱いをお願いします。

1  
2  
3  
4  
5



PROD. No. :  
工事番号 :  
TAG No. :

UNIT : mm

NOMINAL SIZE (INCH) 口径 (B)	RATING 圧力定格 (フランジ規格年度)	END CONNECTION 接続形式	BONNET TYPE 上蓋形式	ACTUATOR 操作器	VALVE ACTION 弁作動	TRAVEL トラベル	WEIGHT 概算質量 (kg)
2	ANSI 300 (1988)	RF	HIGH/LOW TEMP. TYPE 高/低温形	PSA2R	AIR TO OPEN	20	44

Top-Guide Single-Seated Control Valve  
トップガイド形単座調節弁

MODEL No.  
AGVM

**Azbil Corporation**

DRAWING No.  
AGVM-BA3RCE-BCR04C0

REV.  
0

A B C D E