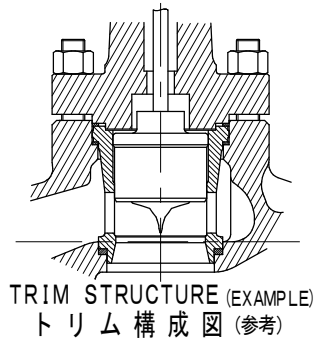
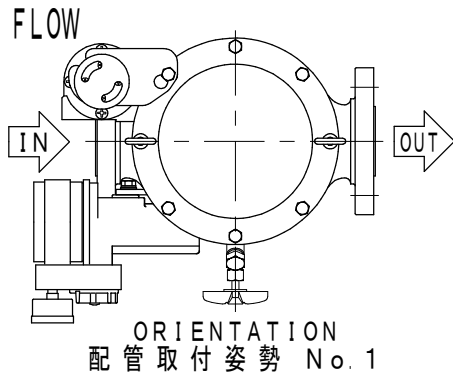
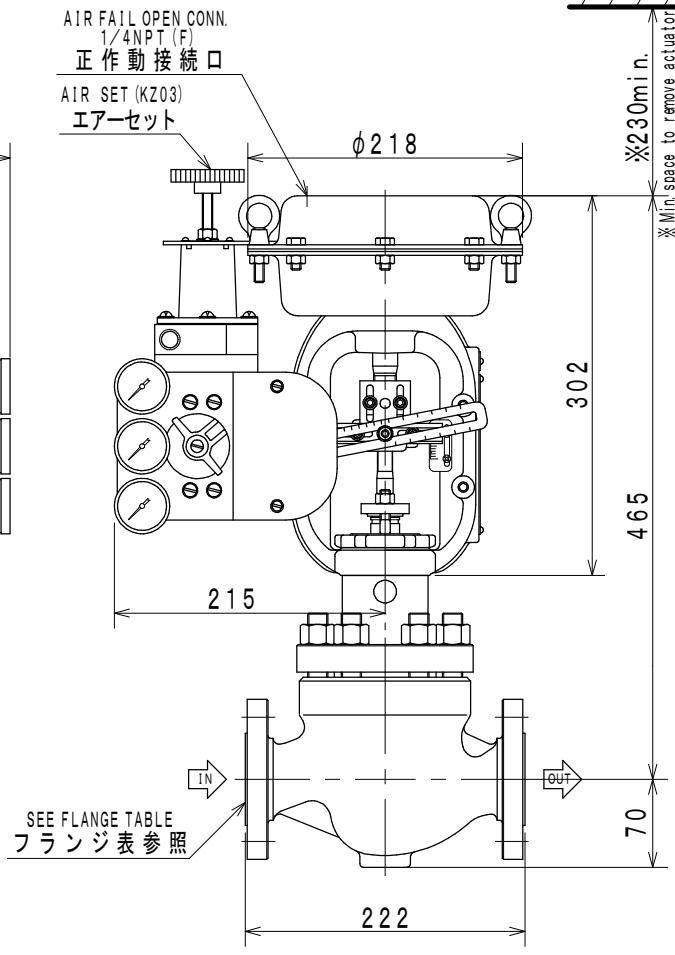
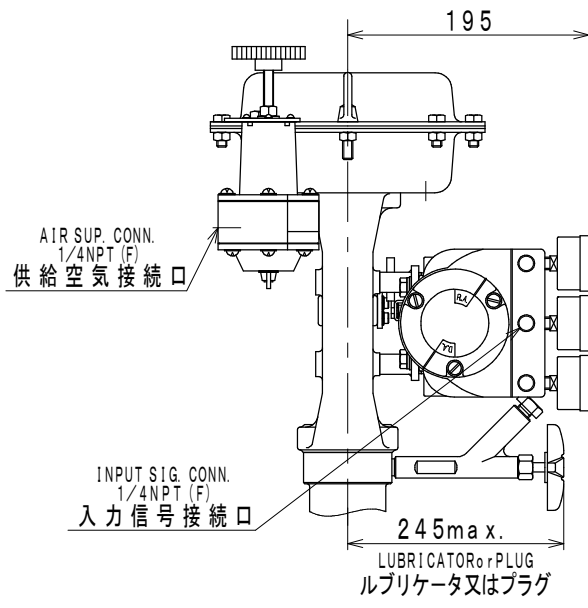


Control Valve Data Sheet

Item No. / Qty	1	1	Ref. No.	
Tag No.	LPV5-0745		Purchaser	
Service			End user	
<Control valve>			Project	
			<Remarks>	
Model	HCB		SV0703-105 Indicating unit : "kgf/cm2"	
Description	Pressure Balanced Cage Type Control Valves		SV0601-001 Air piping Connection: 1/4 NPT	
Body/Port size	1-1/2 in.	1-1/2 in.	SV0602-009 Air piping: Stainless steel (304ss) tube. Joint: Double-bite Joint.(316ss)	
Conn. Size. / Rated CV		24	SV0201-002 Seat leakage: Less than 0.1%CV (Equivalent IEC, JIS Class III)	
Rating / Conn. Type	ANSI150	RF		
Body material	A351CF8M			
Trim material	SCS14A STELLITE			
Flow characteristic	EQ%			
Bonnet	PLAIN (-17 to 230 degC)			
Actuator / Handle	PSA1D	---		
Action	AIR TO CLOSE			
Gland packing / Grease	V-PTFE(DIR/REV)	---		
Gasket	V543,V8590			
Air supply / Spring range	1.6kgf/cm2	0.2-1.0kgf/cm2		
Seat leakage	CLASS III			
Color: Body/Diaph./Yoke	No-painting	M10B5/10	M10B5/10	
Paint	Corrosion resistant			
<Accessories>				
Positioner	HTP-1D			
Structure				
Input signal	0.2-1.0 kgf/cm2			
Regulator	KZ03-2B-XX		1	
Regulator2				
Limit switch				
Action				
Solenoid valve				
Action / Power				
Booster				
Air lock valve				
<Process data>				
Fluid name/Phase	Water		LIQUID	
	MAX	NOR	MIN	Unit
Flow rate	19200	6500		kg/h
Inlet pressure	6.5	4.5		kgf/cm2A
Outlet pressure	3.0	1.0		kgf/cm2A
Differential press.	3.5	3.5		kgf/cm2
Shut-off press.		6.5		kgf/cm2
Temperature	147	146.8		degC
Density/Gravity(Liq)	0.9197	0.9197		water=1
Density/Gravity(G,V)				MW
Viscosity	0.1921	0.1924		cP
Flash	Flash	Flash		%
Calculated CV	17.1	13.86		
Travel	89	82		%
Inlet velocity	5.253	1.778		m/s
Predictive SPL	54	50		dBA
<Piping spec.>				
Strength Calc. Sheet				
Design	6.5		kgf/cm2G	
Temp.	0/150		degC	
Size	2 in.	2 in.		
Sch No.	40	40		
Thickness	3.9	3.9		
Azbil Corporation				

* The drawing shall be handled as reference.
 * この図面は参考情報として取扱いをお願いします。

1
2
3
4
5



PROD. No. :
 工事番号 :
 TAG No. : LPV5-0745

UNIT : mm

NOMINAL SIZE(INCH) 口径 (B)	RATING 圧力定格 (フランジ規格年度)	END CONNECTION 接続形式	BONNET TYPE 上蓋形式	ACTUATOR 操作器	VALVE ACTION 弁作動	TRAVEL トラベル	WEIGHT 概算質量(kg)
1 1/2	ANSI 150 (1981)	RF	PLAIN TYPE 常温形	PSA1D	AIR TO CLOSE	25	33

Press. Balanced Cage Type Control Valve
 プレッシュバランス形ケージ調節弁

MODEL No.
 HCB

Azbil Corporation

DRAWING No.
 HCB-AA1R1E-BBD05B0

REV.
 0

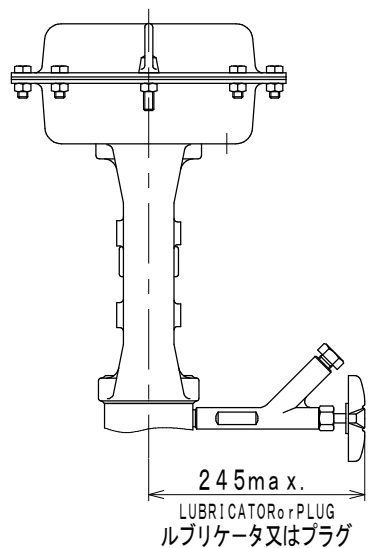
A B C D E

Control Valve Data Sheet

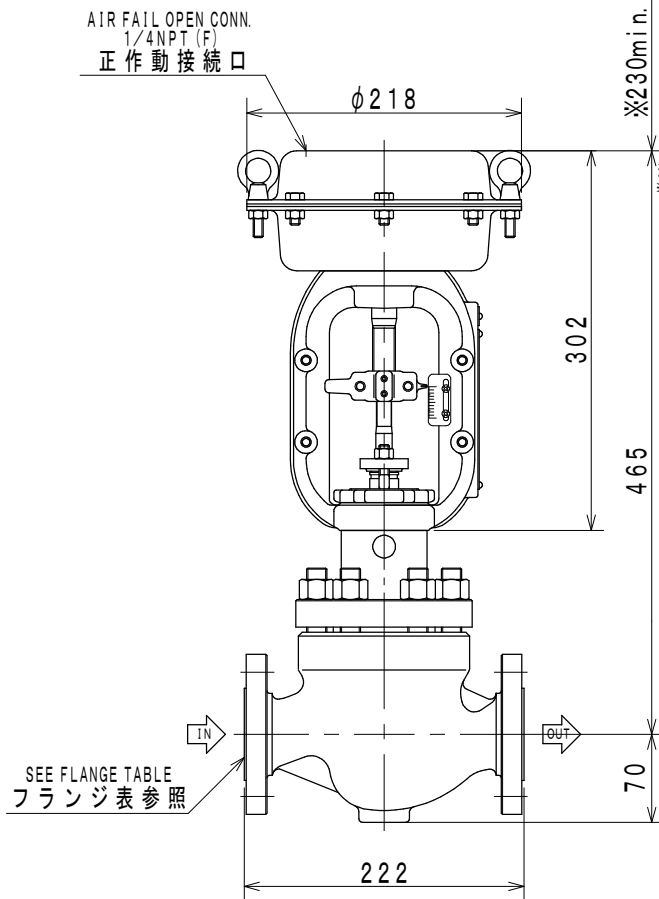
Item No. / Qty	2	1	Ref. No.	
Tag No.	LPV5-0745		Purchaser	
Service			End user	
<Control valve>			<Remarks>	
Model	HCB		SV0703-105 Indicating unit : "kgf/cm2"	
Description	Pressure Balanced Cage Type Control Valves		SV0601-001 Air piping Connection: 1/4 NPT	
Body/Port size	1-1/2 in.	1-1/2 in.	SV0602-009 Air piping: Stainless steel (304ss) tube. Joint: Double-bite Joint.(316ss)	
Conn. Size. / Rated CV			SV0201-002 Seat leakage: Less than 0.1%CV (Equivalent IEC, JIS Class III)	
Rating / Conn. Type	ANSI150	RF		
Body material	A351CF8M			
Trim material	SCS14A STELLITE			
Flow characteristic	EQ%			
Bonnet	PLAIN (-17 to 230 degC)			
Actuator / Handle	PSA1D	---		
Action	AIR TO CLOSE			
Gland packing / Grease	V-PTFE(DIR/REV)	---		
Gasket	V543,V8590			
Air supply / Spring range	1.6kgf/cm2	0.2-1.0kgf/cm2		
Seat leakage	CLASS III			
Color: Body/Diaph./Yoke	No-painting	M10B5/10	M10B5/10	
Paint	Corrosion resistant			
<Accessories>				
Positioner				
Structure				
Input signal				
Regulator				
Regulator2				
Limit switch				
Action				
Solenoid valve				
Action / Power				
Booster				
Air lock valve				
<Process data>				
Fluid name/Phase	Water		LIQUID	
	MAX	NOR	MIN	Unit
Flow rate	19200	6500		kg/h
Inlet pressure	6.5	4.5		kgf/cm2A
Outlet pressure	3.0	1.0		kgf/cm2A
Differential press.	3.5	3.5		kgf/cm2
Shut-off press.	6.5			kgf/cm2
Temperature	147	146.8		degC
Density/Gravity(Liq)	0.9197	0.9197		water=1
Density/Gravity(G,V)				MW
Viscosity	0.1921	0.1924		cP
Flash	Flash	Flash		%
Calculated CV	17.1	13.86		
Travel	89	82		%
Inlet velocity	5.253	1.778		m/s
Predictive SPL	54	50		dBA
<Piping spec.>				
Strength Calc. Sheet				
Design	6.5		kgf/cm2G	
Temp.	0/150		degC	
Size	2 in.	2 in.		
Sch No.	40	40		
Thickness	3.9	3.9		
Azbil Corporation				

* The drawing shall be handled as reference.
 * この図面は参考情報として取扱いをお願いします。

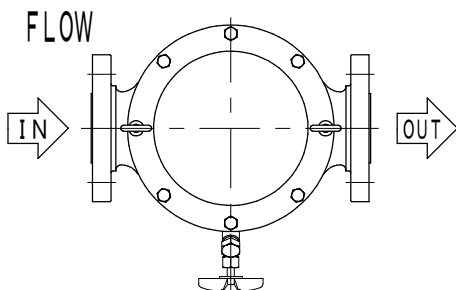
1



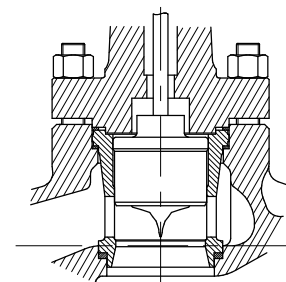
2



3



ORIENTATION
 配管取付姿勢 No. 1



TRIM STRUCTURE (EXAMPLE)
 トリム構成図 (参考)

4

PROD. No. :
 工事番号 :
 TAG No. : LPV5-0745

UNIT : mm

5

NOMINAL SIZE(INCH) 口径 (B)	RATING 圧力定格 (フランジ規格年度)	END CONNECTION 接続形式	BONNET TYPE 上蓋形式	ACTUATOR 操作器	VALVE ACTION 弁作動	TRAVEL トラベル	WEIGHT 概算質量(kg)
1 1/2	ANSI 150 (1981)	RF	PLAIN TYPE 常温形	PSA1D	AIR TO CLOSE	25	29

Press. Balanced Cage Type Control Valve
 プレッシュバランス形ケージ調節弁

MODEL No.
 H C B

Azbil Corporation

DRAWING No.
 HCB-AA1R1E-BBD00B0

REV.
 0

A

B

C

D

E