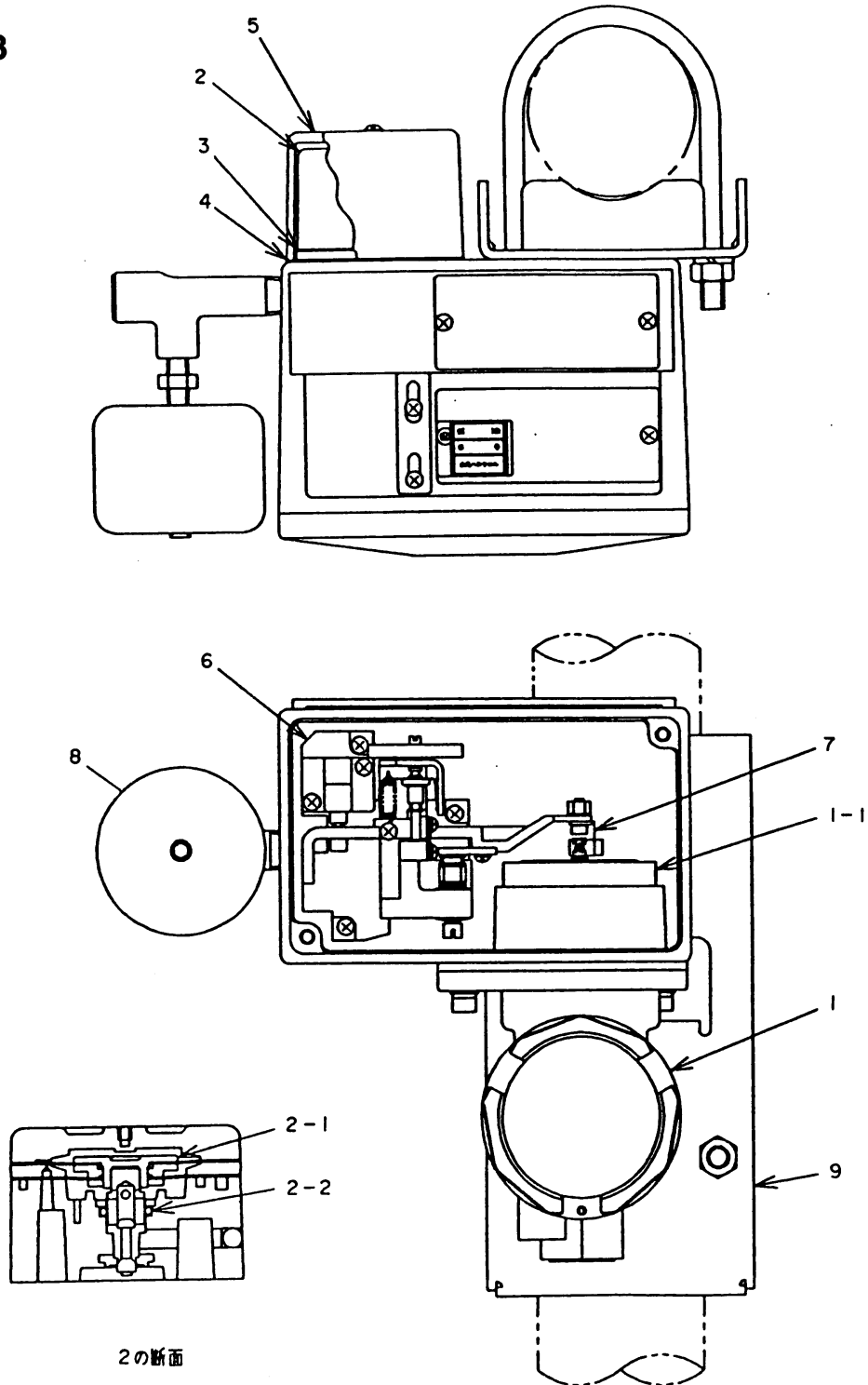


**KUX113**

**I / P Converter**

**(1) Figure  
KUX113**



I/P Converter KUX113	First Edition : 96-11-1	PL2-KUX100-0300
	Revision( ) :	1 of 4

## (2) Parts List

Key No.	Description	Quantity	Part No.
1	Terminal box assembly	1	See table(a)
1-1	Magnet assembly	1	See table(b)
2	Pilot Relay assembly	1	80357215-002 80357465-002
3	Gasket(Pilot side)	1	80357274-001
4	Gasket(Case side)	1	80357273-001
5	Cover assembly	1	80357122-001
6	Mechanical parts assembly	1	80357609-001
7	Plate spring assembly	1	80357128-001
8	Bolume tank	1	See table(c)
9	Mounting accessories	1	80279919-007
2-1	Pilot Relay area assembly	1	80357223-002 旧型(国計有)
2-2	"O"ring	1	80020935-308

新型 80357469-002 ←

I/P Converter KUX113	First Edition : 96-11-1	PL2-KUX100-0300
	Revision( ) :	2 of 4

**Table (a) ; Terminal box assembly (Key No.1)**

Description	Part No.(ITEM)
Standard characteristic positioner JIS • FM • NEPSI flame-proof structure/water-proof	80357009-111
Standard characteristic positioner JIS intrinsic-safety explosion-proof structure	80357009-311
Reverse characteristic positioner JIS • FM • NEPSI flame-proof structure/water-proof	80357009-411
Reverse characteristic positioner JIS intrinsic-safety explosion-proof structure	80357009-611
Standard characteristic positioner FM • PTBib • NEPSI intrinsic-safety explosion-proof structure	80357009-711
Reverse characteristic positioner FM • PTBib • NEPSI intrinsic-safety explosion-proof structure	80357009-811

**Table (b) ; Magnet assembly (Key No.1-1)**

Description	Part No.(ITEM)
Standard characteristic positioner JIS • FM • NEPSI flame-proof structure/water-proof	80357453-001
Standard characteristic positioner JIS intrinsic-safety explosion-proof structure	80357453-003
Reverse characteristic positioner JIS • FM • NEPSI flame-proof structure/water-proof	80357453-004
Reverse characteristic positioner JIS intrinsic-safety explosion-proof structure	80357453-006
Standard characteristic positioner FM • PTBib • NEPSI intrinsic-safety explosion-proof structure	80357453-007
Reverse characteristic positioner FM • PTBib • NEPSI intrinsic-safety explosion-proof structure	80357453-008

I/P Converter KUX113	First Edition : 96-11-1	PL2-KUX100-0300
	Revision( ) :	3 of 4

**Table (c) ; Bolume tank assembly (Key No.8)**

With out gauge		With gauge		
PT	NPT	PT		NPT
		Standard	Tokyo gas	
82683644-001	82683644-002	82685712-001	82685712-002	82685712-003

I/P Converter KUX113	First Edition : 96-11-1	PL2-KUX100-0300
	Revision( ) :	4 of 4