



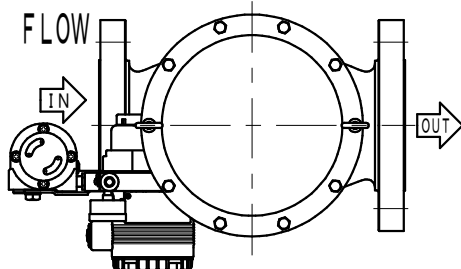
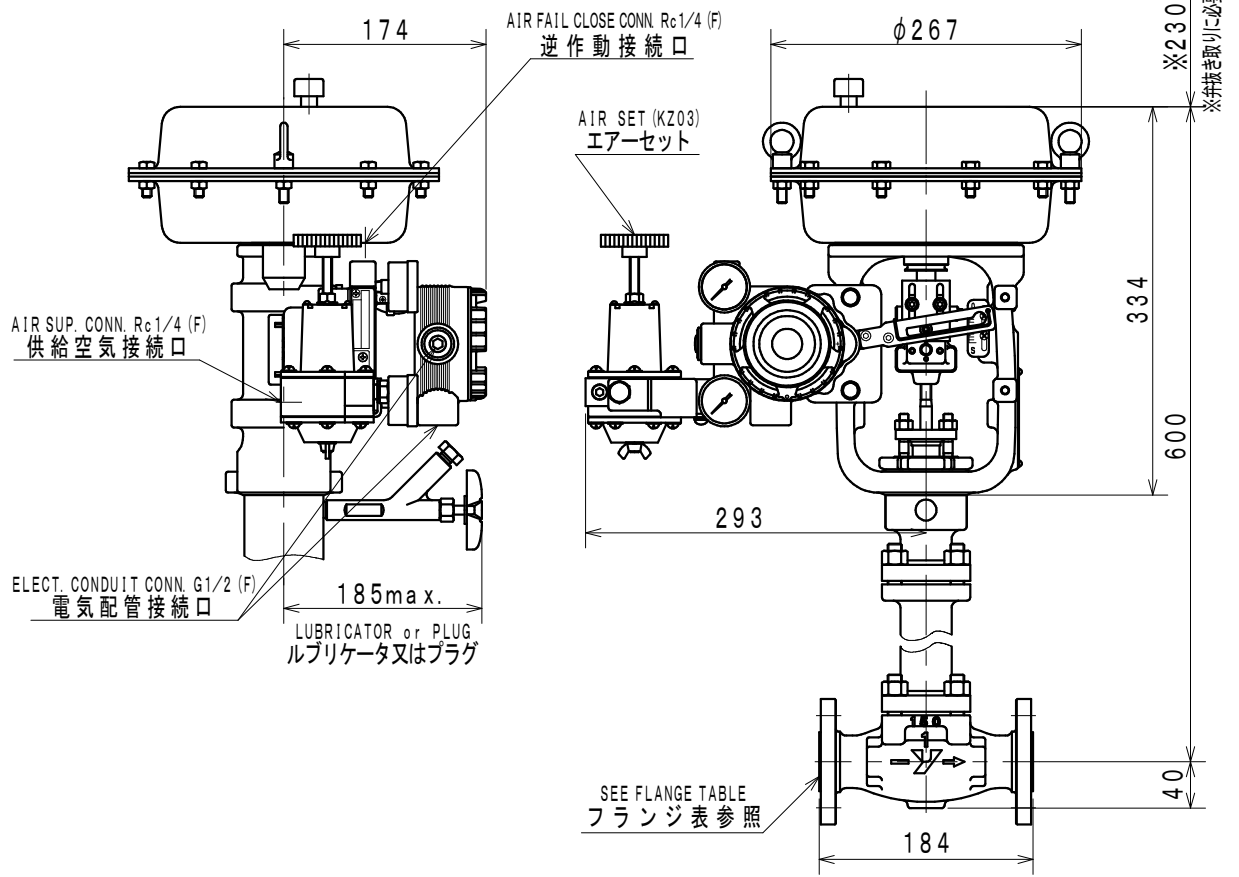
1

2

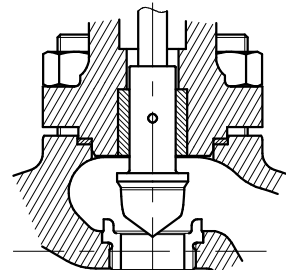
3

4

5



ORIENTATION  
配管取付姿勢 No. 1



TRIM STRUCTURE (EXAMPLE)  
トリム構成図 (参考)

PRODUCTION No. 工事番号	
Tag No.	TV109-4/TV110-2/TV109-4Y

UNIT: mm

Small-Port Single-Seated Control Valve 小口径単座調節弁	NOMINAL SIZE (INCH) 口径 (B)	RATING 圧力定格 (フランジ規格年度)	END CONNECTION 接続形式	BONNET TYPE 上蓋形式	ACTUATOR 操作器	VALVE ACTION 弁作動	TRAVEL トラベル	WEIGHT 製品質量 (kg)
MODEL No. HLS	1	ANSI150 (1981)	RF	HIGH/LOW TEMP. TYPE 高/低温形	HA2	AIR TO OPEN 逆作動	14.3	28.2

**Yamatake Corporation**

DRAWING No.  
107C-04634



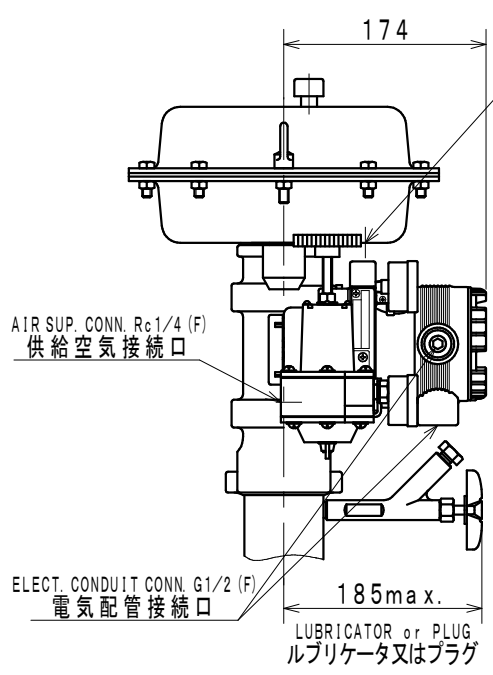
1

2

3

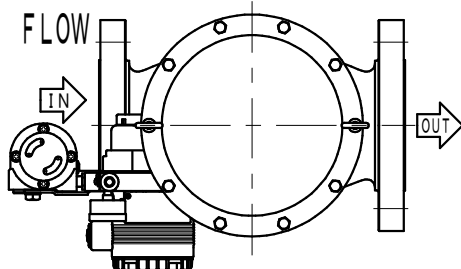
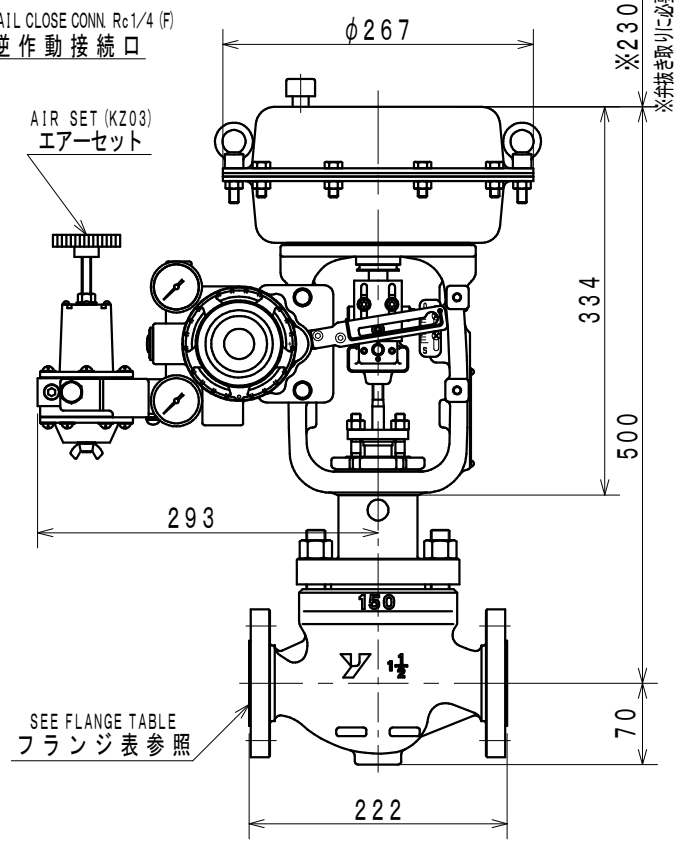
4

5

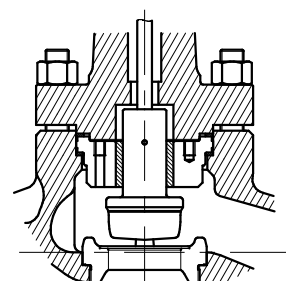


AIR FAIL CLOSE CONN. Rc1/4 (F)  
逆作動接続口

AIR SET (KZ03)  
エアセット



ORIENTATION  
配管取付姿勢 No. 1



TRIM STRUCTURE (EXAMPLE)  
トリム構成図 (参考)

PRODUCTION No. 工事番号	
Tag No.	TCV-5300

UNIT: mm

Top-Guide Single-Seated Control Valve トップガイド形単座調節弁	NOMINAL SIZE (INCH) 口径 (B)	RATING 圧力定格 (フランジ規格年度)	END CONNECTION 接続形式	BONNET TYPE 上蓋形式	ACTUATOR 操作器	VALVE ACTION 弁作動	TRAVEL トラベル	WEIGHT 製品質量 (kg)
MODEL No. HTS	1-1/2	ANSI150 (1981)	RF	PLAIN TYPE 常温形	HA2	AIR TO OPEN 逆作動	25	34.2

Yamatake Corporation

DRAWING No.  
109D-08716

Item No. / Qty	3		1		Ref. No.		
Tag No.	FCV-2205				Purchaser		
Service					End user		
					Project		
<b>&lt;Control valve&gt;</b>					<b>&lt;Remarks&gt;</b>		
Model	HTS				SV0703-102 Indicating unit : "bar"		
Description	Top-Guided Single Seated Control Valves				SV0601-001 Air piping Connection: 1/4 NPT		
Body/Port size	1-1/2 in.		1-1/2 in.		SV0602-002 Air piping: Vinyl covered copper tube. Joint:Cr plated with vinyl cap		
Conn. Size. / Rated CV			30		SV0201-003 Seat leakage: Less than 0.01%CV (Equivalent IEC, JIS Class IV)		
Rating / Conn. Type	ANSI150		RF				
Body material	A216WCB						
Trim material	SUS316 STELLITE						
Flow characteristic	EQ%						
Bonnet	PLAIN (-17 to 230 degC)						
Actuator / Handle	HA2R		---				
Action	AIR TO OPEN						
Gland packing / Grease	P4519						
Gasket	V543						
Air supply / Spring range	2.7bar		0.8-2.4bar				
Seat leakage	CLASS IV						
Color: Body/Diaph./Yoke	M10B5/10	M10B5/10	M10B5/10				
Paint	Standard						
<b>&lt;Accessories&gt;</b>							
Positioner	AVP302-PSD2D-1DYT-X						
Structure	Water-proof, 1/4 NPT, 1/2 NPT						
Input signal	4-20 mADC						
Regulator	KZ03-2B-XX		1				
Regulator2							
Limit switch							
Action							
Solenoid valve							
Action / Power							
Booster							
Air lock valve							
<b>&lt;Process data&gt;</b>							
Fluid name/Phase	STEAM			STEAM			
	MAX	NOR	MIN	Unit			
Flow rate				kg/h			
Inlet pressure		13		barA			
Outlet pressure				barA			
Differential press.		10.4		bar			
Shut-off press.		13		bar			
Temperature		192		degC			
Density/Gravity(Liq)				kg/m3			
Density/Gravity(G,V)		6.609		kg/m3(A)		barG	
Viscosity		0.01566		mPa-s		degC	
Flash				%			
Calculated CV							
Travel				%			
Outlet velocity				Mach			
Predictive SPL				dBA			
					<b>&lt;Piping spec.&gt;</b>		
					Strength Calc. Sheet		
					Design		barG
					Temp.		degC
					Size		1-1/2 in. 1-1/2 in.
					Sch No.		40 40
					Thickness		3.7 3.7
					<b>Yamatake Corporation</b>		

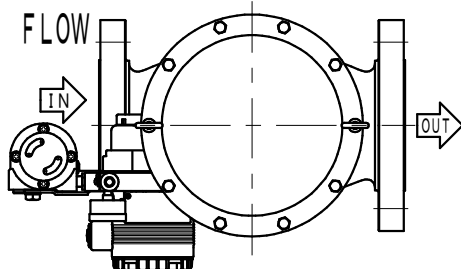
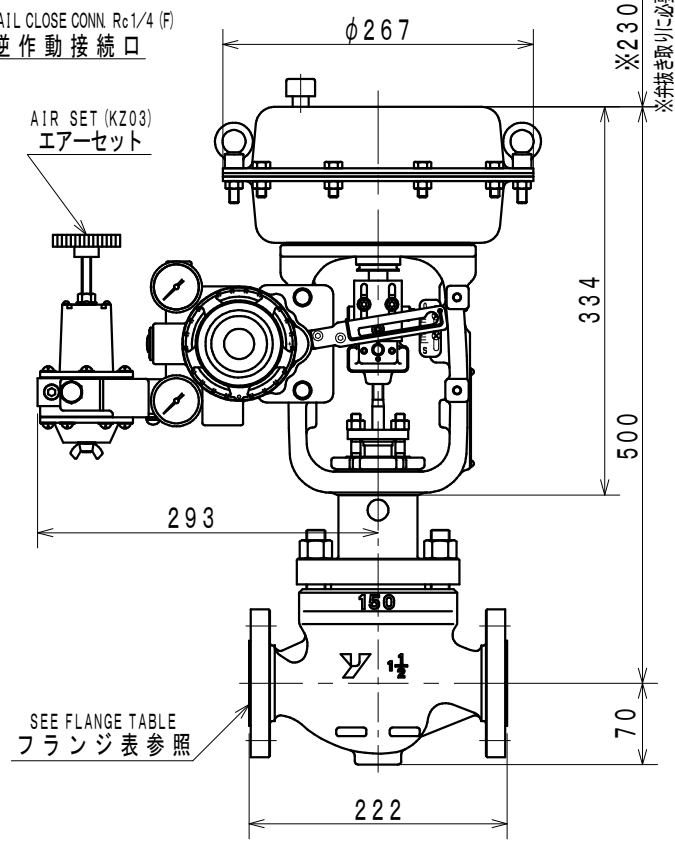
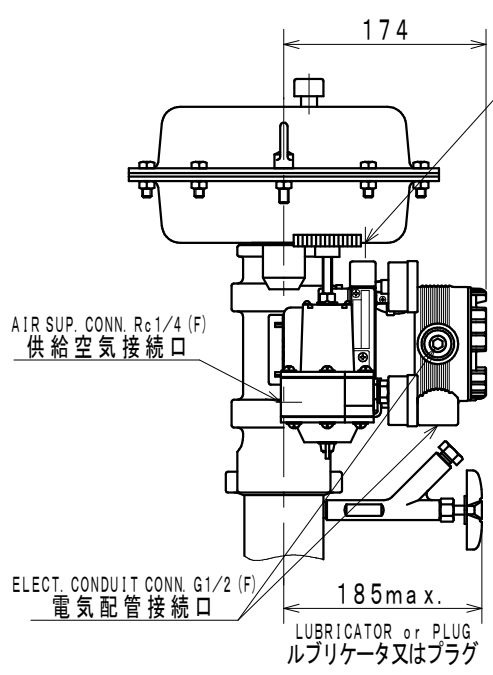
1

2

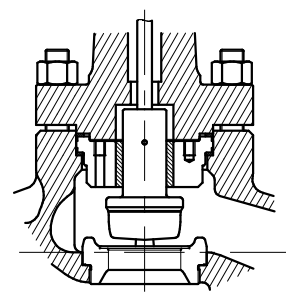
3

4

5



ORIENTATION  
配管取付姿勢 No. 1



TRIM STRUCTURE (EXAMPLE)  
トリム構成図 (参考)

PRODUCTION No. 工事番号	
Tag No.	FCV-2205

UNIT: mm

Top-Guide Single-Seated Control Valve トップガイド形単座調節弁	NOMINAL SIZE (INCH) 口径 (B)	RATING 圧力定格 (フランジ規格年度)	END CONNECTION 接続形式	BONNET TYPE 上蓋形式	ACTUATOR 操作器	VALVE ACTION 弁作動	TRAVEL トラベル	WEIGHT 製品質量 (kg)
MODEL No. HTS	1-1/2	ANSI150 (1981)	RF	PLAIN TYPE 常温形	HA2	AIR TO OPEN 逆作動	25	34.2

**Yamatake Corporation**

DRAWING No.  
**109D-08716**

Item No. / Qty	4		1		Ref. No.				
Tag No.	HV-2206				Purchaser				
Service					End user				
<Control valve>					<Remarks>				
								Model	
Description					Top-Guided Single Seated Control Valves				
Body/Port size					2 in.		2 in.		
Conn. Size. / Rated CV								50	
Rating / Conn. Type					ANSI150		RF		
Body material					A216WCB				
Trim material					SUS316 STELLITE				
Flow characteristic					EQ%				
Bonnet					PLAIN (-17 to 230 degC)				
Actuator / Handle					HA3R		---		
Action					AIR TO OPEN				
Gland packing / Grease					P4519				
Gasket					V543				
Air supply / Spring range					2.7bar		0.8-2.4bar		
Seat leakage					CLASS IV				
Color: Body/Diaph./Yoke					M10B5/10		M10B5/10		
Paint					Standard				
<Accessories>									
Positioner					AVP302-PSD2D-1DYT-X				
Structure					Water-proof, 1/4 NPT, 1/2 NPT				
Input signal					4-20 mADC				
Regulator					KZ03-2B-XX		1		
Regulator2									
Limit switch									
Action									
Solenoid valve									
Action / Power									
Booster									
Air lock valve									
<Process data>									
Fluid name/Phase					STEAM		STEAM		
					MAX		NOR		
					MIN		Unit		
Flow rate					1000		kg/h		
Inlet pressure					13		barA		
Outlet pressure							barA		
Differential press.					1		bar		
Shut-off press.					13		bar		
Temperature					192		degC		
Density/Gravity(Liq)							kg/m3		
Density/Gravity(G,V)					6.609		kg/m3(A)		
Viscosity					0.01566		mPa-s		
Flash							%		
Calculated CV					14.77				
Travel					48		%		
Outlet velocity					0.04421		Mach		
Predictive SPL					65		dBA		
<Piping spec.>									
Strength Calc. Sheet									
Design							barG		
Temp.							degC		
Size					2 in.		2 in.		
Sch No.					40		40		
Thickness					3.9		3.9		
<b>Yamatake Corporation</b>									

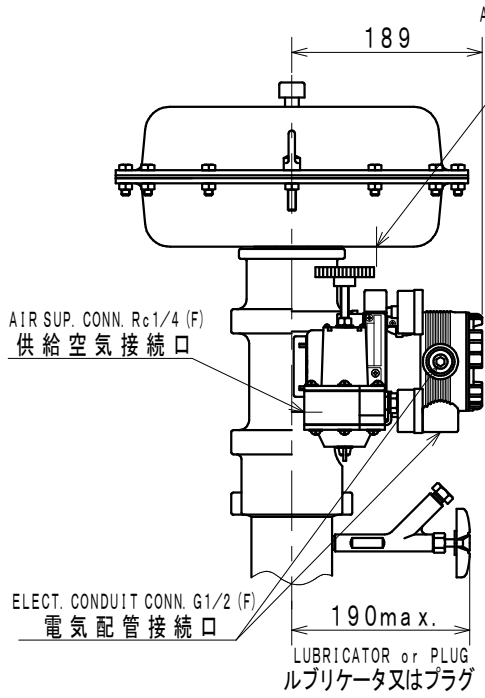
1

2

3

4

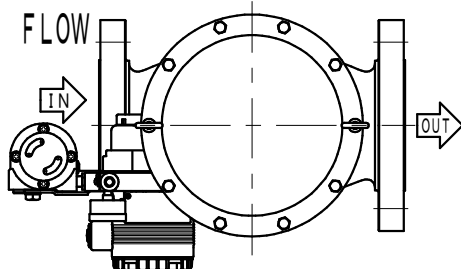
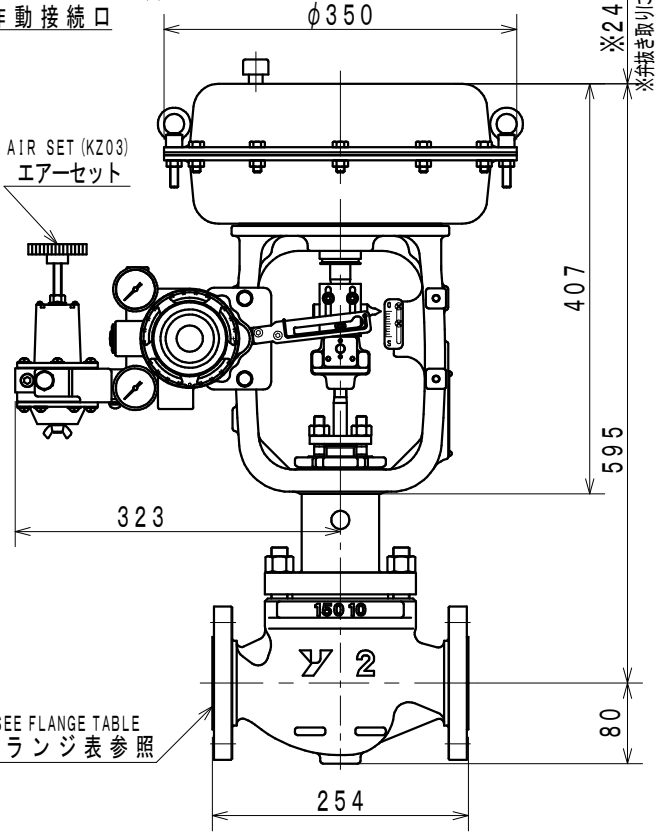
5



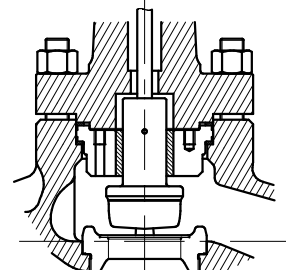
AIR FAIL CLOSE CONN. Rc1/4 (F)  
逆作動接続口

AIR SET (KZ03)  
エアセット

SEE FLANGE TABLE  
フランジ表参照



ORIENTATION  
配管取付姿勢 No. 1



TRIM STRUCTURE (EXAMPLE)  
トリム構成図 (参考)

PRODUCTION No. 工事番号	
Tag No.	HV-2206

UNIT : mm

Top-Guide Single-Seated Control Valve トップガイド形単座調節弁	NOMINAL SIZE (INCH) 口径 (B)	RATING 圧力定格 (フランジ規格年度)	END CONNECTION 接続形式	BONNET TYPE 上蓋形式	ACTUATOR 操作器	VALVE ACTION 弁作動	TRAVEL トラベル	WEIGHT 製品質量 (kg)
MODEL No. HTS	2	ANSI150 (1981)	RF	PLAIN TYPE 常温形	HA3	AIR TO OPEN 逆作動	25	52.2

**Yamatake Corporation**

DRAWING No.  
**109E-08766**