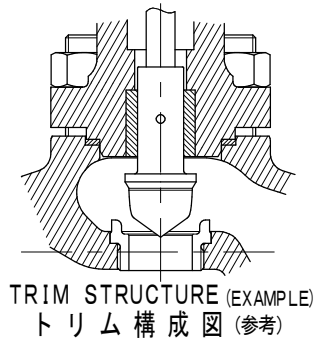
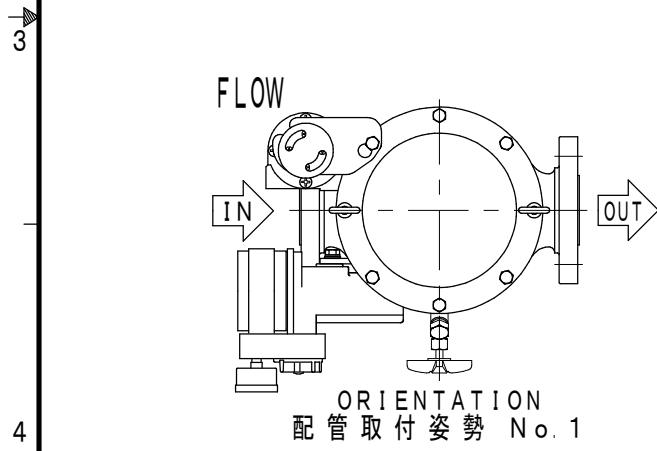
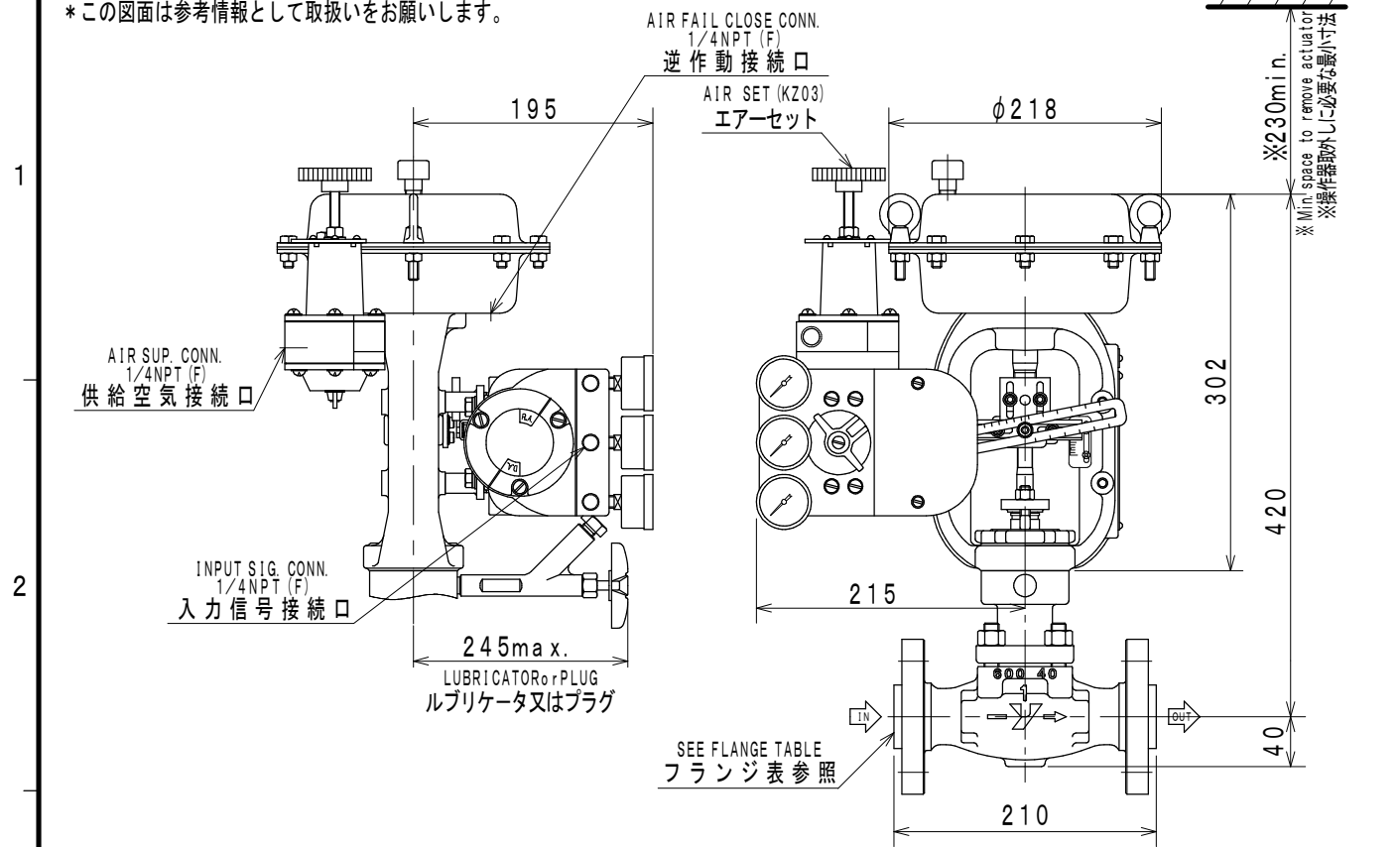


Item No. / Qty	1	1	Ref. No.	
Tag No.	15-LV-011		Purchaser	
Service			End user	
<Control valve>			Project	
<Control valve>			<Remarks>	
Model	HLS		SV0703-105 Indicating unit : "kgf/cm2"	
Description	Small-Port Single Seated Control Valves		SV0601-001 Air piping Connection: 1/4 NPT	
Body/Port size	1 in.	Cv=1.6	SV0602-002 Air piping: Vinyl covered copper tube. Joint:Cr plated with vinyl cap	
Conn. Size. / Rated CV		1.6	SV0101-004 Flange facing finish : Serration ANSI B16.5 (Spiral)	
Rating / Conn. Type	ANSI600	RF	SV0201-003 Seat leakage: Less than 0.01%CV (Equivalent IEC, JIS Class IV)	
Body material	SCPH2		Old Production No : 416.8304.2000	
Trim material	SUS440C			
Flow characteristic	EQ%			
Bonnet	PLAIN (-17 to 230 degC)			
Actuator / Handle	PSA1R	---		
Action	AIR TO OPEN			
Gland packing / Grease	P4519	PS6		
Gasket	V543			
Air supply / Spring range	2.8kgf/cm2	0.8-2.4kgf/cm2		
Seat leakage	CLASS IV			
Color: Body/Diaph./Yoke	SILVER	SILVER	M2.5Y8/12	
Paint	Corrosion Resistant			
<Accessories>				
Positioner	HTP-1D			
Structure				
Input signal	0.2-1.0 kgf/cm2			
Regulator	KZ03-2B-XX	1		
Regulator2				
Limit switch				
Action				
Solenoid valve				
Action / Power				
Booster				
Air lock valve				
<Process data>				
Fluid name/Phase	Water		LIQUID	
	MAX	NOR	MIN	Unit
Flow rate	3.139			m3/h
Inlet pressure	53			kgf/cm2G
Outlet pressure	37			kgf/cm2G
Differential press.	16			kgf/cm2
Shut-off press.	68			kgf/cm2
Temperature	15			degC
Density/Gravity(Liq)	0.939			water=1
Density/Gravity(G,V)				MW
Viscosity	0.2			cP
Flash				%
Calculated CV	0.8877			
Travel	84			%
Inlet velocity	1.777			m/s
Predictive SPL	56			dBA
<Piping spec.>				
Strength Calc. Sheet				
Design			kgf/cm2G	
Temp.			degC	
Size	1 in.		1 in.	
Sch No.	40		40	
Thickness	3.4		3.4	
<b>Yamatake Corporation</b>				

\* The drawing shall be handled as reference.  
 \* この図面は参考情報として取扱いをお願いします。



PROD. No. :  
 工事番号 :  
 TAG No. : 15-LV-011

UNIT : mm

NOMINAL SIZE(INCH) 口径 (B)	RATING 圧力定格 (フランジ規格年度)	END CONNECTION 接続形式	BONNET TYPE 上蓋形式	ACTUATOR 操作器	VALVE ACTION 弁作動	TRAVEL トラベル	WEIGHT 概算質量(kg)
1	ANSI 600 (1981)	RF	PLAIN TYPE 常温形	PSA1R	AIR TO OPEN	14.3	26
Small-Port Single-Seated Control Valve 小口径形単座調節弁					MODEL No. HLS		
Yamatake Corporation					DRAWING No. HLS-8A6R1E-BAR05B0		REV. 0

A B C D E