

Item No. / Qty	1		1		Ref. No.	
Tag No.					Purchaser	
Service					End user	
					Project	
<Control valve>					<Remarks>	
Model	AGVM				SV0703-105 Indicating unit : "kgf/cm2"	
Description	Top-Guided Single-Seat Control Valves				SV0601-001 Air piping Connection: 1/4 NPT	
Body/Port size	2 in.		2 in.		SV0201-003 Seat leakage: Less than 0.01%CV (Equivalent IEC, JIS Class IV)	
Conn. Size. / Rated CV			50			
Rating / Conn. Type	ANSI300		RF			
Body material	SCPH2					
Trim material	SUS316 STELLITE					
Flow characteristic	EQ%					
Bonnet	EXT-1 (230 to 400 degC)					
Actuator / Handle	PSA2R		---			
Action	AIR TO OPEN					
Gland packing / Grease	P6610CL+P6722		PS6			
Gasket	V543,V564(MONEL)					
Air supply / Spring range	2.8kgf/cm2		0.8-2.4kgf/cm2			
Seat leakage	CLASS IV					
Color: Body/Diaph./Yoke	M10B5/10	M10B5/10	M10B5/10			
Paint	Standard					
<Accessories>						
Positioner	AVP300-PSD2B-1DYS-X					
Structure	Water-proof, 1/4 NPT, 1/2 NPT					
Input signal	4-20 mADC					
Regulator	KZ03-2B-XX		1			
Regulator2						
Limit switch						
Action						
Solenoid valve						
Action / Power						
Booster						
Air lock valve						
<Process data>						
Fluid name/Phase						
	MAX	NOR	MIN	Unit		
Flow rate				m3/h		
Inlet pressure				kPaG		
Outlet pressure				kPaG		
Differential press.				kPa		
Shut-off press.				kPa		
Temperature		231		degC		
Density/Gravity(Liq)				kg/m3		
Density/Gravity(G,V)				MW		
Viscosity				mPa-s		
Flash				%		
Calculated CV						
Travel				%		
Outlet velocity						
Predictive SPL				dBA		
					<Piping spec.>	
					Strength Calc. Sheet	
					Design	
					Temp. 231 degC	
					Size	
					Sch No.	
					Thickness	
Yamatake Corporation						

* The drawing shall be handled as reference.
 * この図面は参考情報として取扱いをお願いします。

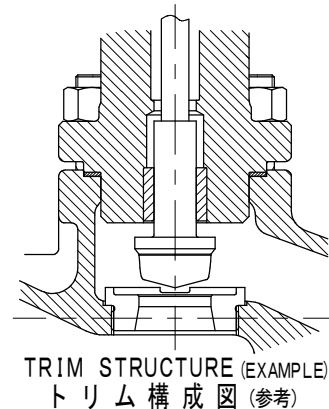
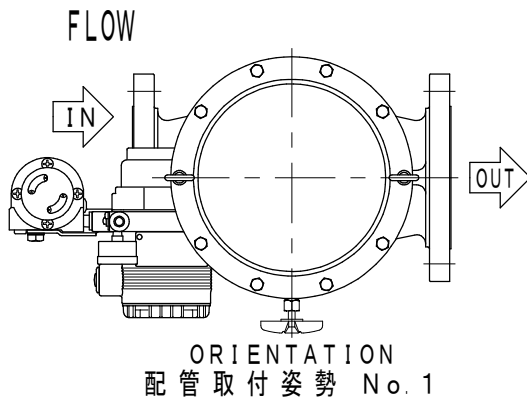
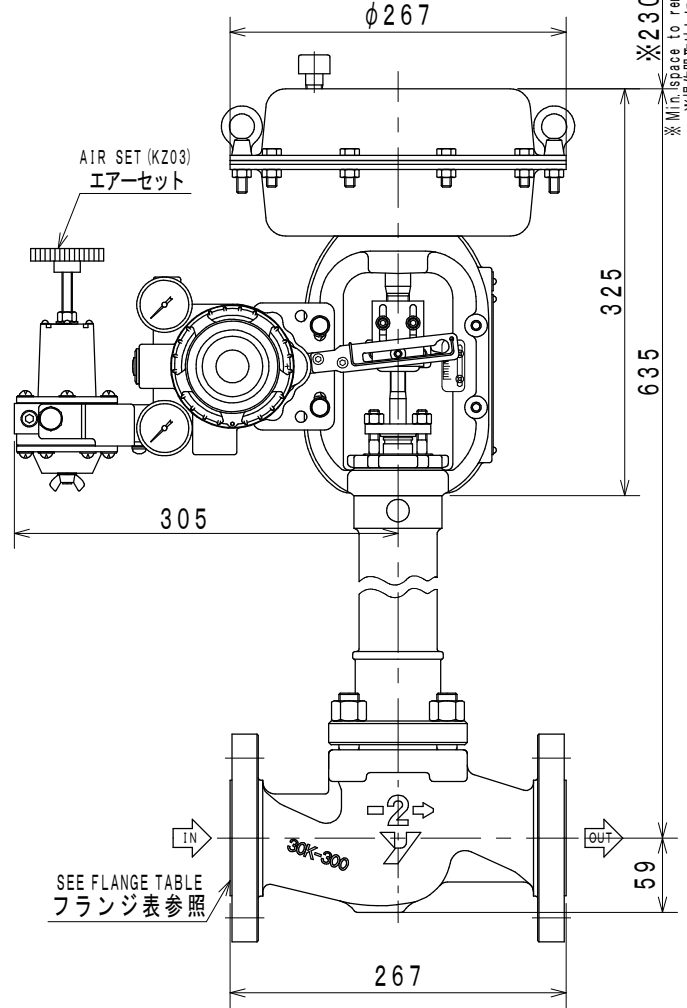
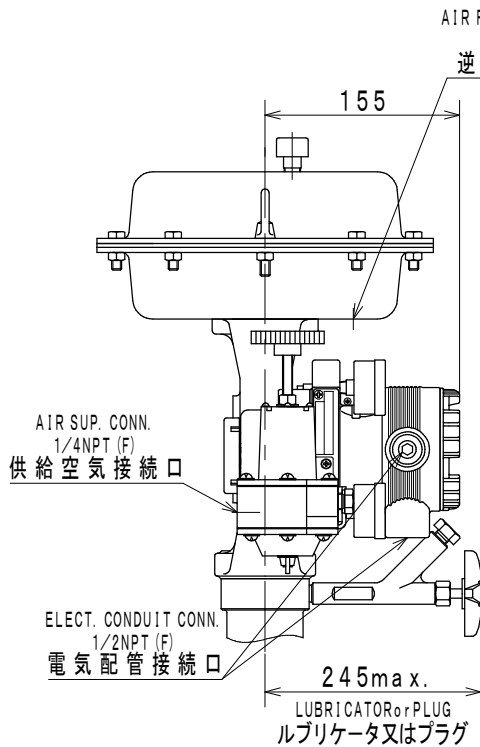
1

2

3

4

5



PROD. No. :
工事番号 :
TAG No. :

UNIT : mm

NOMINAL SIZE (INCH) 口径 (B)	RATING 圧力定格 (フランジ規格年度)	END CONNECTION 接続形式	BONNET TYPE 上蓋形式	ACTUATOR 操作器	VALVE ACTION 弁作動	TRAVEL トラベル	WEIGHT 概算質量 (kg)
2	ANSI 300 (1988)	RF	HIGH/LOW TEMP. TYPE 高/低温形	PSA2R	AIR TO OPEN	20	44

Top-Guide Single-Seated Control Valve トップガイド形単座調節弁					MODEL No. AGVM		
Yamatake Corporation					DRAWING No. AGVM-BA3RCE-BCR04B0		REV. 0

A B C D E