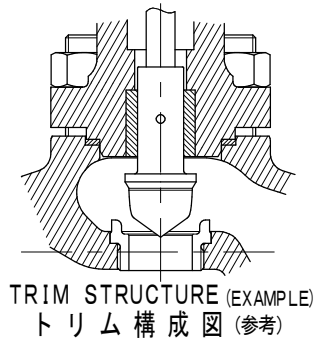
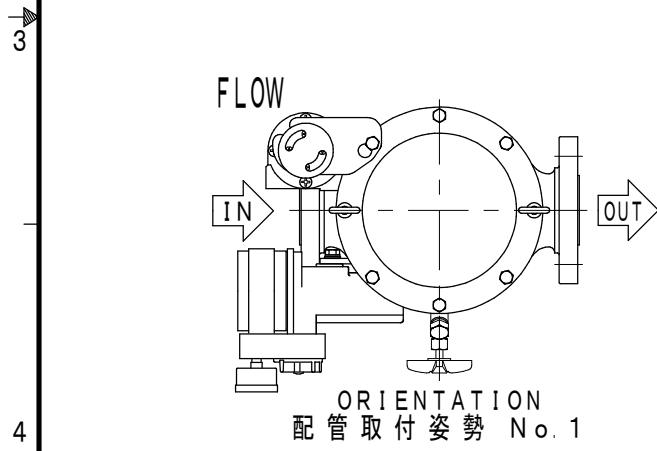
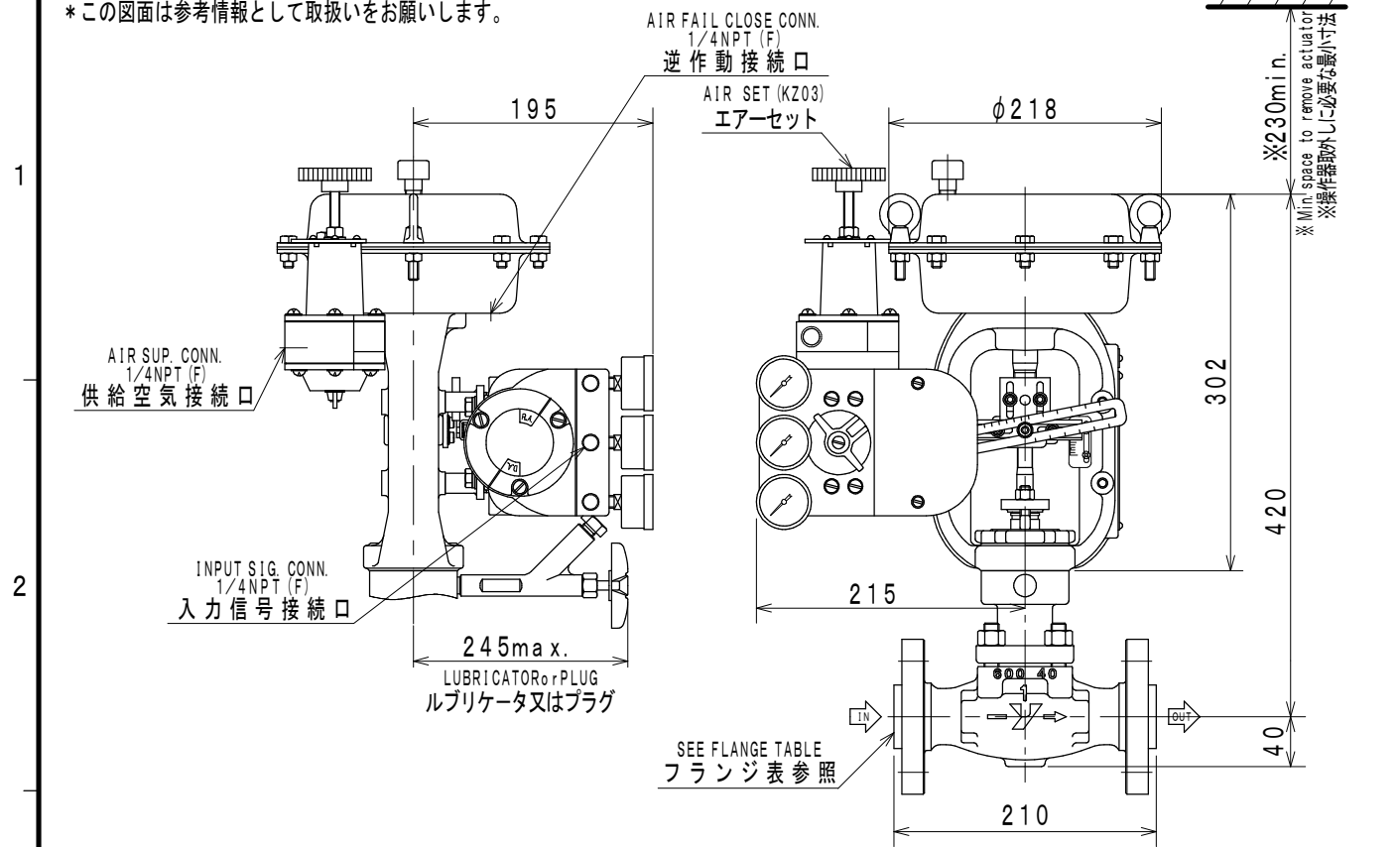


Item No. / Qty	1		1		Ref. No.	
Tag No.	15-LV-011				Purchaser	
Service					End user	
<Control valve>					Project	
					<Remarks>	
Model	HLS				SV0703-105 Indicating unit : "kgf/cm2"	
Description	Small-Port Single Seated Control Valves				SV0601-001 Air piping Connection: 1/4 NPT	
Body/Port size	1 in.	Cv=1.6			SV0602-002 Air piping: Vinyl covered copper tube. Joint:Cr plated with vinyl cap	
Conn. Size. / Rated CV				1.6	SV0101-004 Flange facing finish : Serration ANSI B16.5 (Spiral)	
Rating / Conn. Type	ANSI600		RF		SV0201-003 Seat leakage: Less than 0.01%CV (Equivalent IEC, JIS Class IV)	
Body material	SCPH2				Old Production No : 416.8304.2000	
Trim material	SUS440C					
Flow characteristic	EQ%					
Bonnet	PLAIN (-17 to 230 degC)					
Actuator / Handle	PSA1R				---	
Action	AIR TO OPEN					
Gland packing / Grease	P4519				PS6	
Gasket	V543					
Air supply / Spring range	2.8kgf/cm2	0.8-2.4kgf/cm2				
Seat leakage	CLASS IV					
Color: Body/Diaph./Yoke	SILVER	SILVER	M2.5Y8/12			
Paint	Corrosion Resistant					
<Accessories>						
Positioner	HTP-1D					
Structure						
Input signal	0.2-1.0 kgf/cm2					
Regulator	KZ03-2B-XX				1	
Regulator2						
Limit switch						
Action						
Solenoid valve						
Action / Power						
Booster						
Air lock valve						
<Process data>						
Fluid name/Phase	Water			LIQUID		
	MAX	NOR	MIN	Unit		
Flow rate	3.139			m3/h		
Inlet pressure	53			kgf/cm2G		
Outlet pressure	37			kgf/cm2G		
Differential press.	16			kgf/cm2		
Shut-off press.	68			kgf/cm2		
Temperature	15			degC		
Density/Gravity(Liq)	0.939			water=1		
Density/Gravity(G,V)				MW		
Viscosity	0.2			cP		
Flash				%		
Calculated CV	0.8877					
Travel	84			%		
Inlet velocity	1.777			m/s		
Predictive SPL	56			dBA		
<Piping spec.>						
Strength Calc. Sheet						
Design					kgf/cm2G	
Temp.					degC	
Size			1 in.	1 in.		
Sch No.			40	40		
Thickness			3.4	3.4		
Yamatake Corporation						

* The drawing shall be handled as reference.
 * この図面は参考情報として取扱いをお願いします。



PROD. No. :
 工事番号 :
 TAG No. : 15-LV-011

UNIT : mm

NOMINAL SIZE(INCH) 口径 (B)	RATING 圧力定格 (フランジ規格年度)	END CONNECTION 接続形式	BONNET TYPE 上蓋形式	ACTUATOR 操作器	VALVE ACTION 弁作動	TRAVEL トラベル	WEIGHT 概算質量 (kg)
1	ANSI 600 (1981)	RF	PLAIN TYPE 常温形	PSA1R	AIR TO OPEN	14.3	26
Small-Port Single-Seated Control Valve 小口径形単座調節弁					MODEL No. HLS		
Yamatake Corporation					DRAWING No. HLS-8A6R1E-BAR05B0		REV. 0

A B C D E