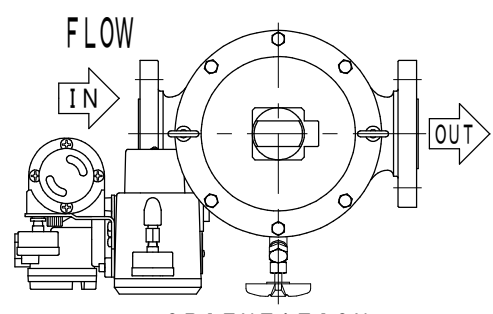
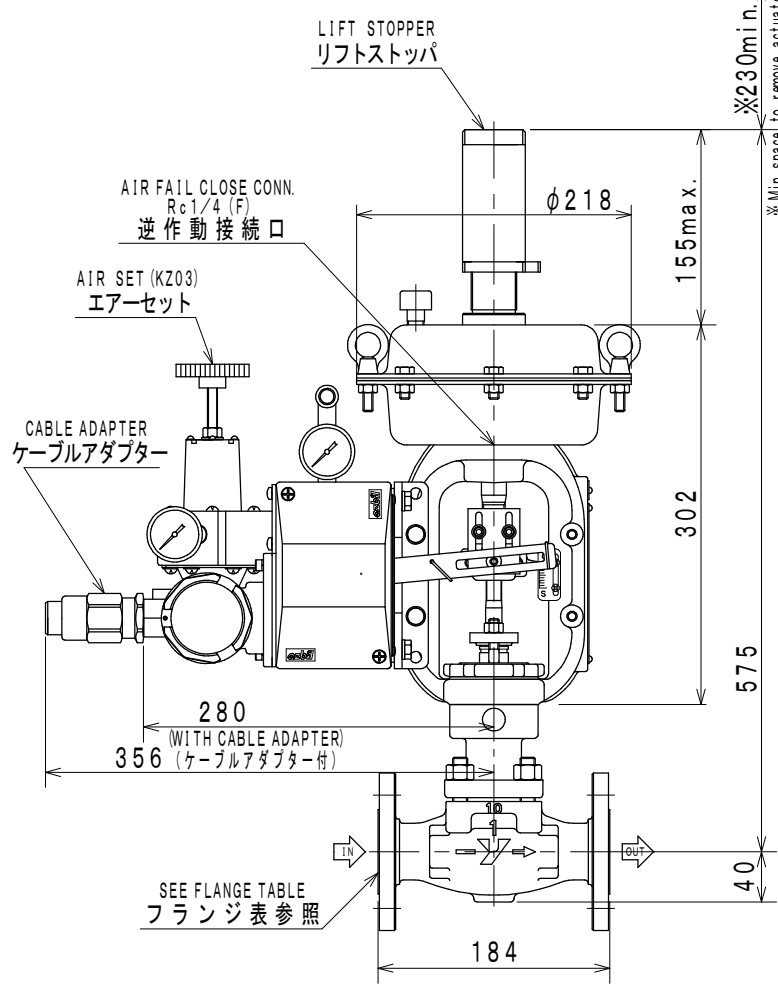
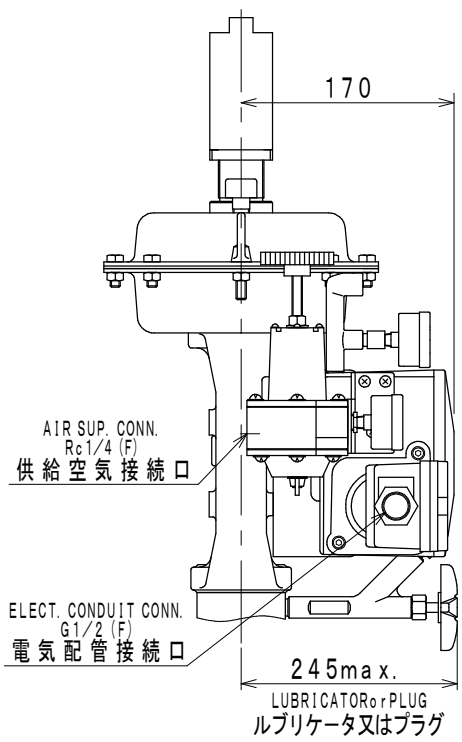


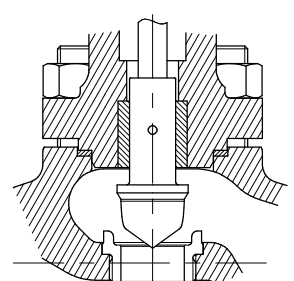
Item No. / Qty	1		1		Ref. No.		
Tag No.	BO-3				Purchaser		
Service					End user		
<Control valve>					<Remarks>		
Description					SV0505-003 Minimum and maximum flow stopper for actuator		
Body/Port size					SV0201-003 Seat leakage: Less than 0.01%CV (Equivalent IEC, JIS Class IV)		
Conn. Size. / Rated CV							
Rating / Conn. Type							
Body material							
Trim material							
Flow characteristic							
Bonnet							
Actuator / Handle							
Action							
Gland packing / Grease							
Gasket							
Air supply / Spring range							
Seat leakage							
Color: Body/Diaph./Yoke							
Paint							
<Accessories>							
Positioner							
Structure							
Input signal							
Regulator							
Regulator2							
Limit switch							
Action							
Solenoid valve							
Action / Power							
Booster							
Air lock valve							
<Process data>							
Fluid name/Phase							
OIL					LIQUID		
					Unit		
Flow rate					kg/h		
Inlet pressure					kgf/cm2G		
Outlet pressure					kgf/cm2G		
Differential press.					kgf/cm2		
Shut-off press.					kgf/cm2		
Temperature					degC		
Density/Gravity(Liq)					water=1		
Density/Gravity(G,V)					MW		
Viscosity					mPa-s		
Flash					%		
Calculated CV							
Travel					%		
Inlet velocity					m/s		
Predictive SPL					dBA		
					<Piping spec.>		
					Strength Calc. Sheet		
					Design		
					kgf/cm2G		
					Temp.		
					degC		
					Size		
					1 in.		1 in.
					Sch No.		
					40		40
					Thickness		
					3.4		3.4
					<b>Yamatake Corporation</b>		

\* The drawing shall be handled as reference.  
 \* この図面は参考情報として取扱いをお願いします。

1  
2  
3  
4



ORIENTATION  
配管取付姿勢 No. 1



TRIM STRUCTURE (EXAMPLE)  
トリム構成図 (参考)

PROD. No. :  
工事番号 :  
TAG No. : B0-3

UNIT : mm

NOMINAL SIZE (INCH) 口径 (B)	RATING 圧力定格 (フランジ規格年度)	END CONNECTION 接続形式	BONNET TYPE 上蓋形式	ACTUATOR 操作器	VALVE ACTION 弁作動	TRAVEL トラベル	WEIGHT 概算質量 (kg)
1	JIS10K (1984)	RF	PLAIN TYPE 常温形	PSA1R	AIR TO OPEN	14.3	27
Small-Port Single-Seated Control Valve 小口径形単座調節弁					MODEL No. HLS		
Yamatake Corporation					DRAWING No. HLS-810R1E-BARM3A0		REV. 0

A B C D E