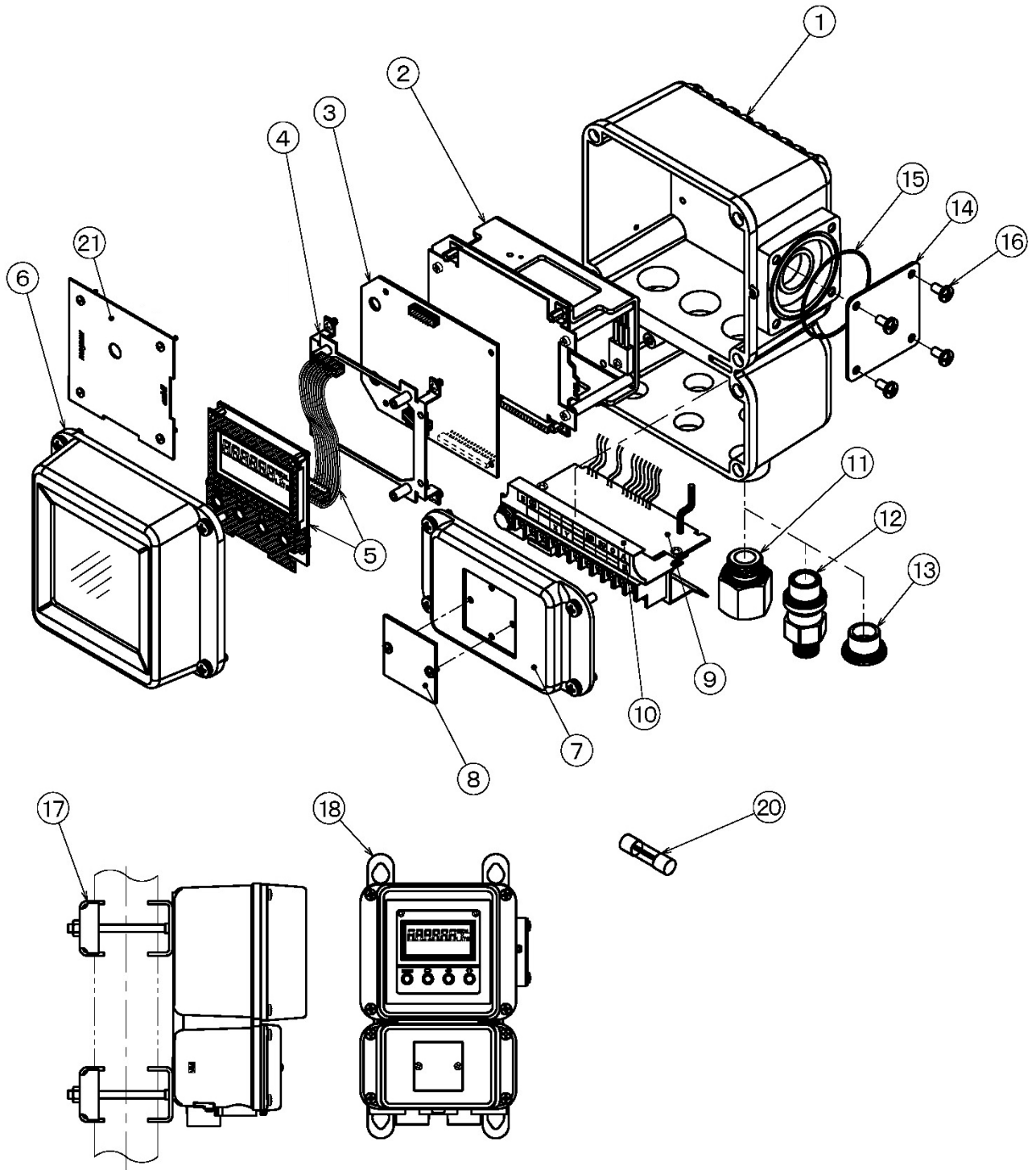


MagneW 3000 PLUS+ Converter Parts List



MagneW 3000 PLUS+ Converter Parts List Price

KEY NO	Parts name	Specifications	Units	Parts number	List Price (Yen)
1	Converter case	Standard paint	1	80381001-011	15,000
		Corrosion-proof paint	1	80381001-211	24,000
2	Power supply unit	AC100-120/200-240V	1	80383300-001	55,000
		DC24V 50Hz	1	80383300-002	66,000
		DC24V 60Hz	1	80383300-003	66,000
3	Main board	MGG10C/14C	1	80383194-001	72,000
		MGG10C/14C fast response model	1	80383194-002	85,000
4	LCD bracket		1	80383167-001	2,000
5	LCD assembly		1	80383191-001	33,000
6	Cover assembly	Glass/Standard paint	1	80383162-060	5,000
		Glass/Corrosion-proof paint	1	80383162-260	8,000
		Polycarbonate/Standard paint	1	80383162-070	6,000
		Polycarbonate/Corrosion-proof paint	1	80383162-270	9,000
7	Terminal Cover	Standard paint	1	80381010-001	2,200
		Corrosion-proof paint	1	80381010-201	9,000
8	TAG plate		1	80381014-001	2,000
9	Terminal assembly	Remote model for MGG10C/14C	1	80383128-001	11,000
		Integral model for MGG10C/14C	1	80383128-002	11,000
10	Terminal marker	MGG10C/14C	1	80381017-001	1,000
11	Adaptor	1/2NPT	1	80381077-001	1,800
		CM20	1	80381077-002	1,800
		Pg13.5	1	80381077-003	1,800
12	Water-tight gland	SUS304	1	80356020-001	7,800
		Ni plated brass	1	80356020-101	4,800
		Plastic	1	80352997-001	1,600
13	Plug	With air purge	1	80381089-001	22,700
		Without air purge	1	80381052-001	1,200
14	Cover		1	80381073-001	1,200
15	O ring		1	80020935-807	800
16	Screw		10	HS311250-10000	800
17	2 inch pipe mounting bracket	SPCC	1	80279935-002	9,000
		SUS304	1	80381130-002	34,800
18	Wall mounting bracket	SPCC	1	80279935-001	1,200
		SUS304	1	80381130-001	5,200
20	Fuse		10	80381226-001	3,600
21	Plastic plate without LCD	Vertical installation	1	80383166-001	1,000
		Horizontal installation	1	80383166-002	1,000