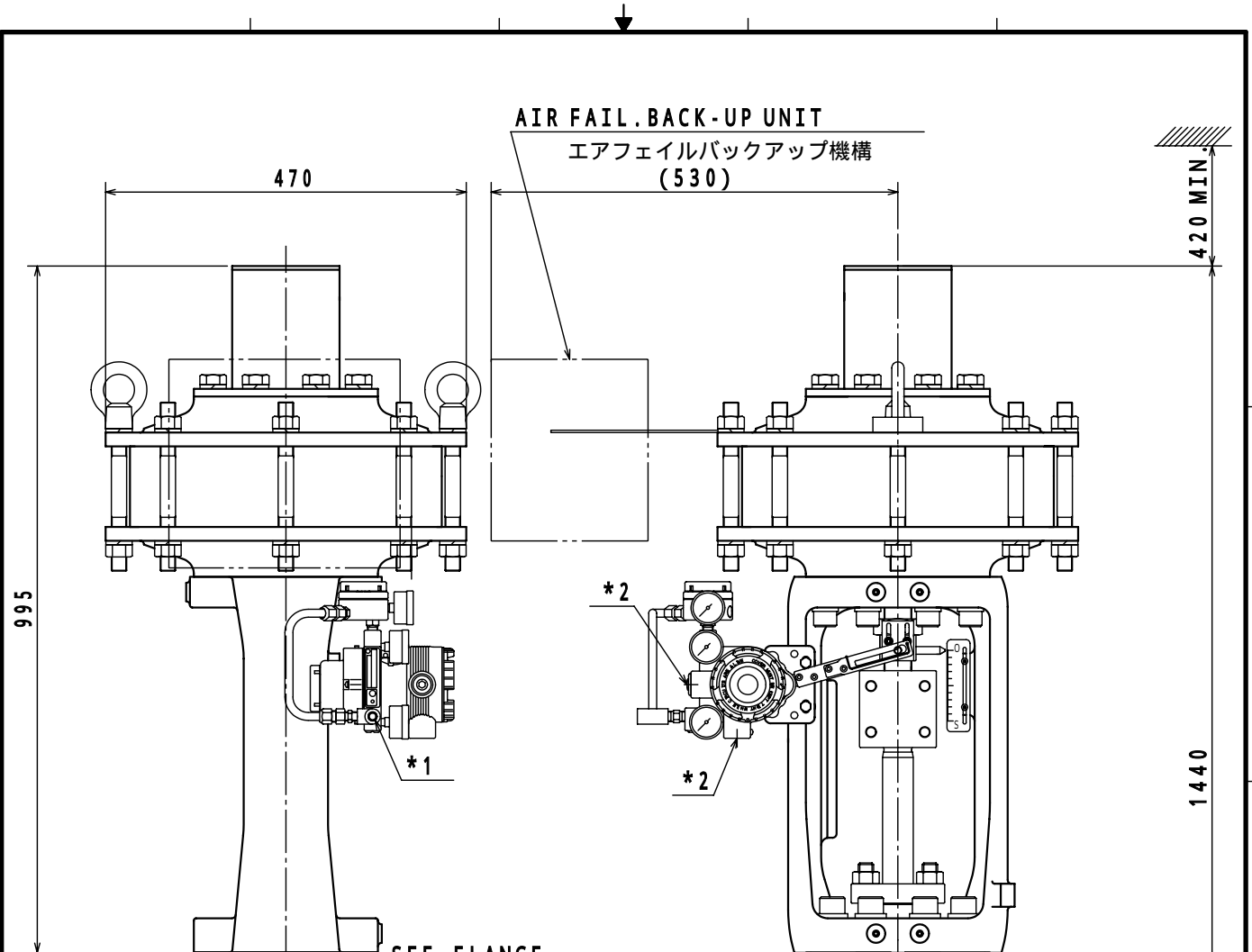


azbil

R-9YJ12-41-010,-020

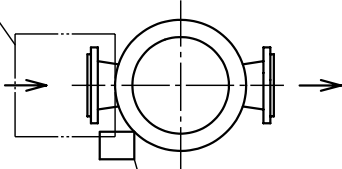


SEE FLANGE DIMENSIONS
フランジ寸法図参照

ACTUATOR TYPE 駆動部形式	DAP1000
------------------------	---------

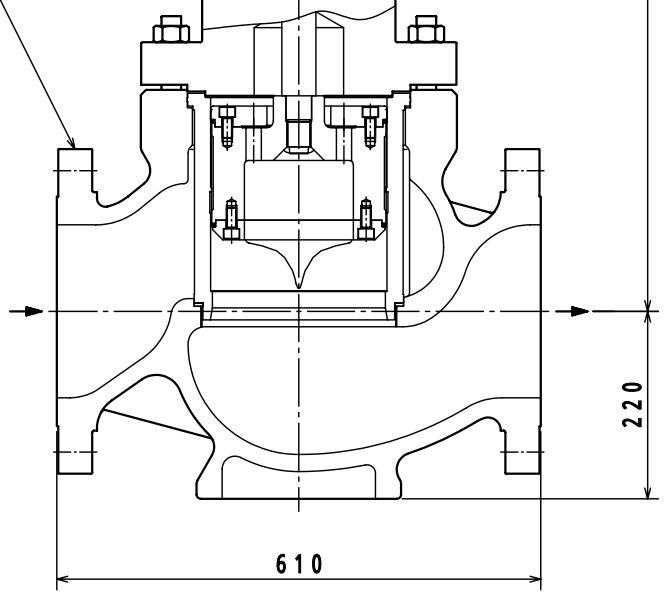
STANDARD MOUNTING POSITION
標準取付位置 (No.1)

AIR FAIL. BACK-UP UNIT
エアフェイルバックアップ機構



POSITIONER
ポジショナ

- * 2 ELECT. CONDUIT CONN.: M20x1.5
電気配管接続口
- * 1 AIR PIPING CONN.: 1/4NPT
空気配管接続



呼径 (B) NOMINAL SIZE (INCH)	リフト LIFT
8	75

RATING
定格: ANSI 600 RF

UNIT: mm

PRESSURE BALANCE TYPE CAGE VALVE (PLAIN BONNET)
プレッシャ・バランス形ケージ調節弁 (常温形)

MODEL NO.
HCB

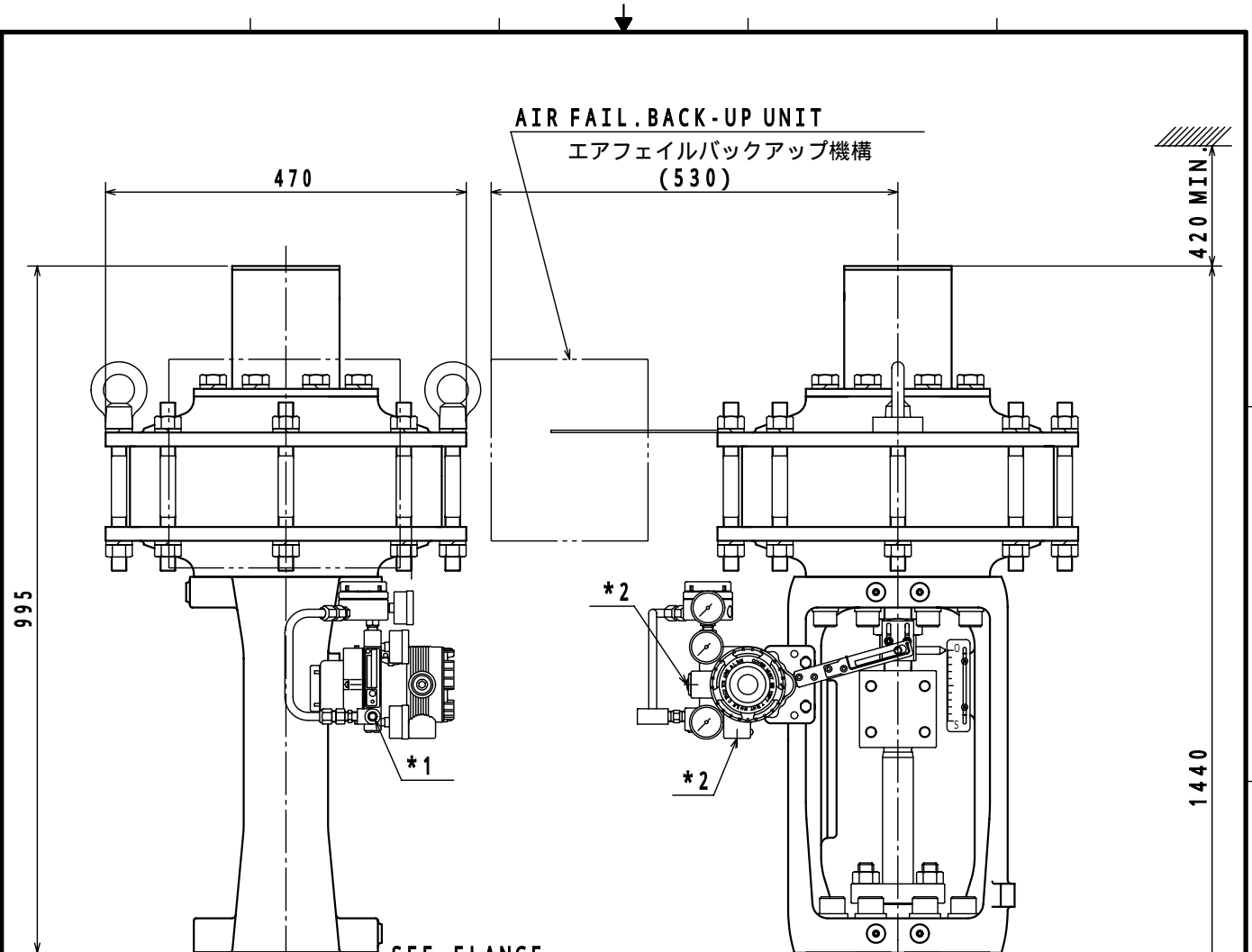
Yamatake Corporation

DATE SEP.07.'07
REF.

DRAWING NO.
XVE-5787

1	2
3	4
5	6

R-9YJ12-41-010,-020



AIR FAIL.BACK-UP UNIT
エアフェイルバックアップ機構
(530)

420 MIN

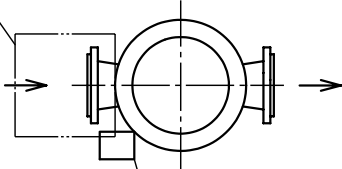
1440

SEE FLANGE
DIMENSIONS
フランジ寸法図参照

ACTUATOR TYPE 駆動部形式	DAP1000
------------------------	---------

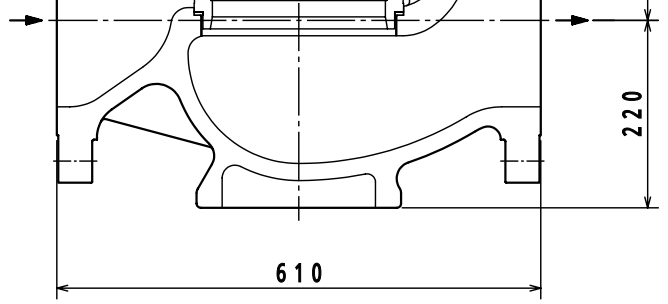
STANDARD MOUNTING POSITION
標準取付位置 (No.1)

AIR FAIL.BACK-UP UNIT
エアフェイルバックアップ機構



POSITIONER
ポジショナ

- * 2 ELECT.CONDUIT CONN.:M20x1.5
電気配管接続口
- * 1 AIR PIPING CONN.:1/4NPT
空気配管接続



220

610

呼径 (B) NOMINAL SIZE (INCH)	リフト LIFT
8	75

RATING
定格: ANSI600 RF

UNIT:mm

PRESSURE BALANCE TYPE CAGE VALVE (PLAIN BONNET)
プレッシャ・バランス形ケージ調節弁 (常温形)

MODEL NO.
HCB

Yamatake Corporation

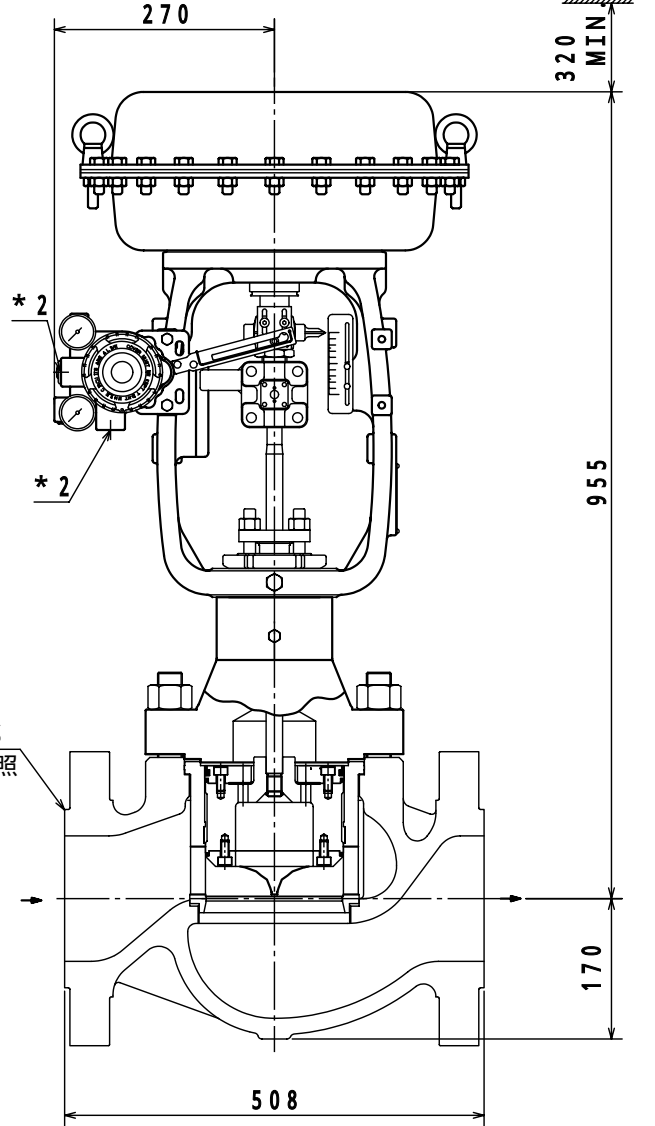
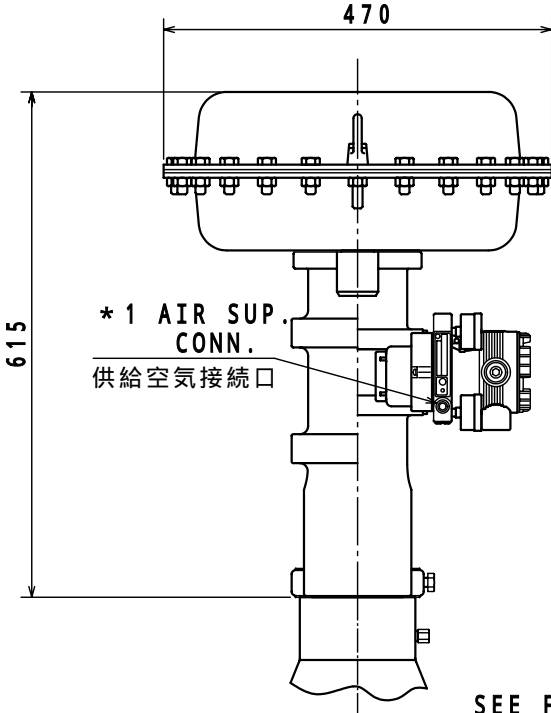
DATE SEP.07.'07
REF.

DRAWING NO.
XVE-5787

1	2
3	4
5	6

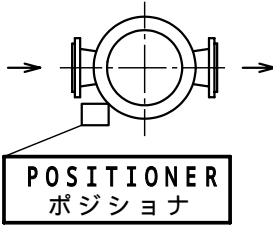
A B C D E

R-9YJ12-41-030



ACTUATOR TYPE 駆動部形式	HA4D
------------------------	------

STANDARD MOUNTING POSITION
標準取付位置 (No. 1)



呼径 (") NOMINAL SIZE (INCH)	リフト LIFT
6	50

- * 2 ELECT. CONDUIT CONN.: M20x1.5
電気配管接続口
- * 1 AIR PIPING CONN.: 1/4NPT
空気配管接続

RATING
定格: ANSI 600 RF

UNIT: mm

PRESSURE BALANCE TYPE CAGE VALVE (PLAIN BONNET)
プレッシャ・バランス形ケージ調節弁 (常温形)

MODEL NO.
HCB

Yamatake Corporation

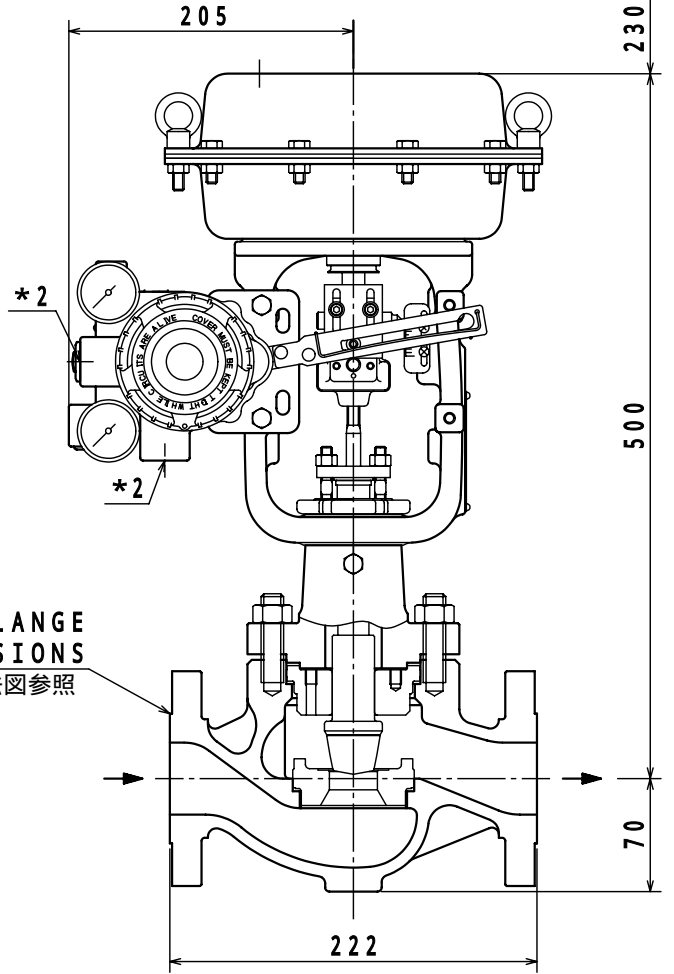
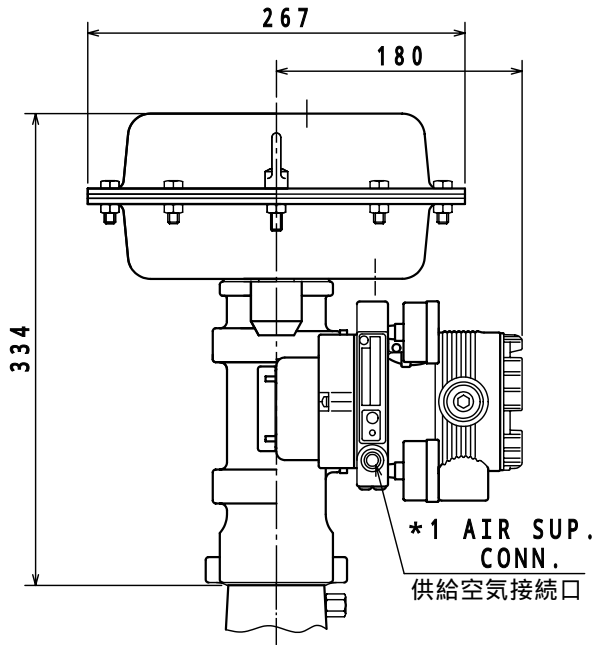
DATE SEP. 10. '07
REF.

DRAWING NO.
XVE-5788

1	2	3	4	5	6
REV					

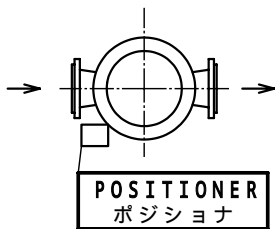
A B C D E

R-9YJ12-41-040



ACTUATOR TYPE 駆動部形式	HA2R
------------------------	------

STANDARD MOUNTING POSITION
標準取付位置 (No.1)



呼径 (") NOMINAL SIZE (INCH)	リフト LIFT
1-1/2	25

- * 2 ELECT. CONDUIT CONN.: M20x1.5
電気配管接続口
- * 1 AIR PIPING CONN.: 1/4NPT
空気配管接続

RATING
定格: ANSI150 RF

UNIT: mm

TOP-GUIDE SINGLE-SEATED CONTROL VALVE
トップガイド形単座調節弁 (常温形)

MODEL NO.

HTS

Yamatake Corporation

DATE SEP.10.'07
REF.

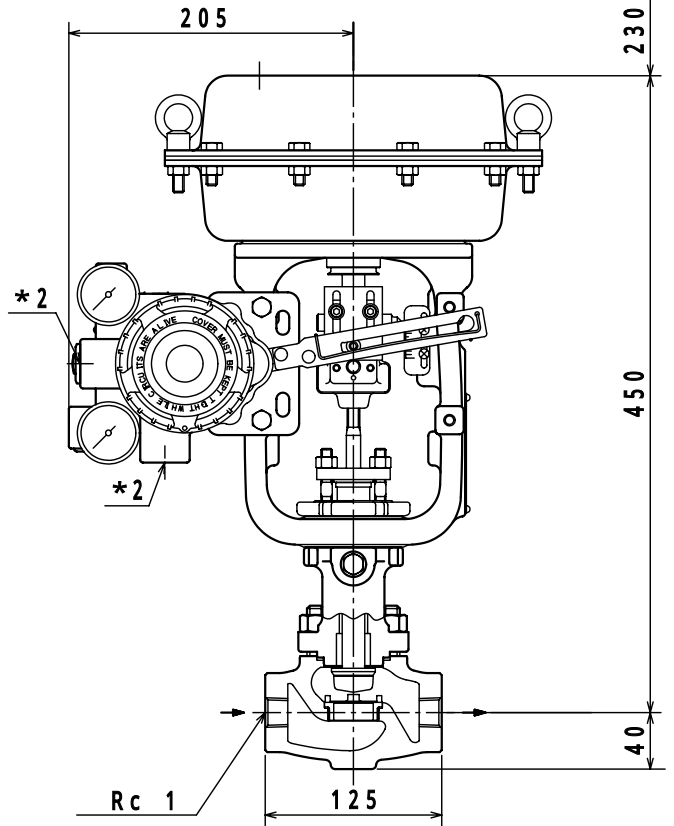
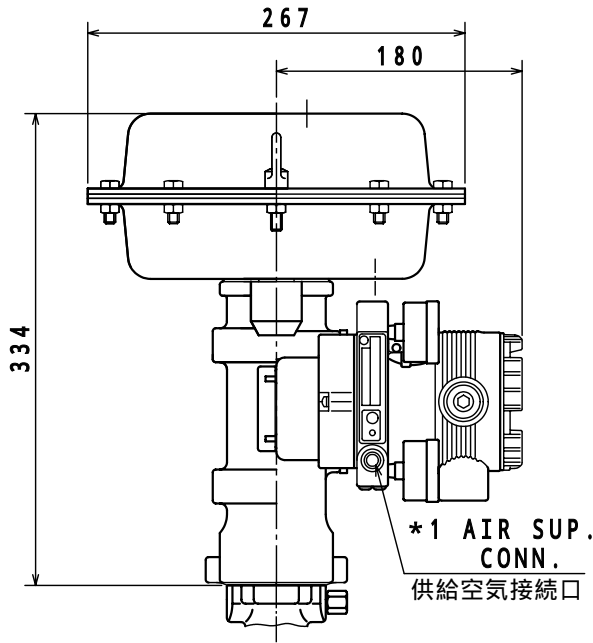
DRAWING NO.

XVE-5790

5	6
3	4
1	2

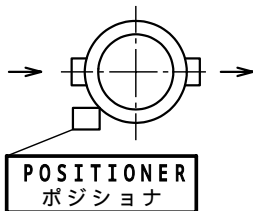
A B C D E

R-9YJ12-41-050



ACTUATOR TYPE 駆動部形式	HA2R
------------------------	------

STANDARD MOUNTING POSITION
標準取付位置 (No.1)



呼径 (") NOMINAL SIZE (INCH)	リフト LIFT
1	14.3

- * 2 ELECT. CONDUIT CONN.: M20x1.5
電気配管接続口
- * 1 AIR PIPING CONN.: 1/4NPT
空気配管接続

RATING
定格: ANSI150

UNIT: mm

LOW FLOW TYPE SINGLE-SEATED CONTROL VALVE (PLAIN BONNET)
小口径単座調節弁 (常温形)

MODEL NO.

HLS

Yamatake Corporation

DATE SEP.11.'07
REF.

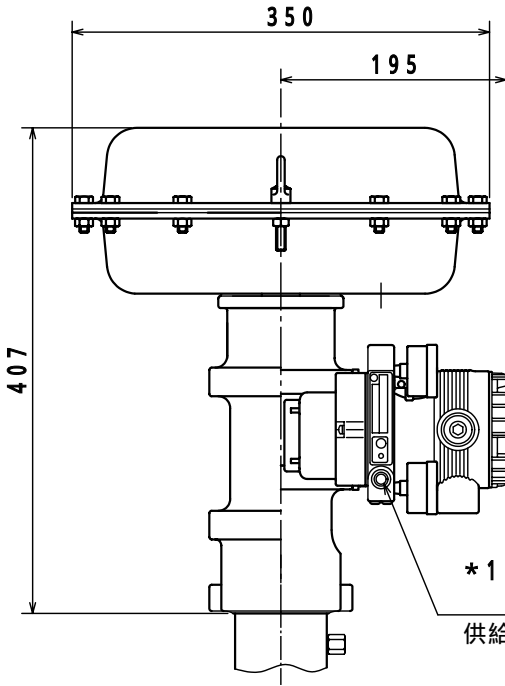
DRAWING NO.

XVE-5791

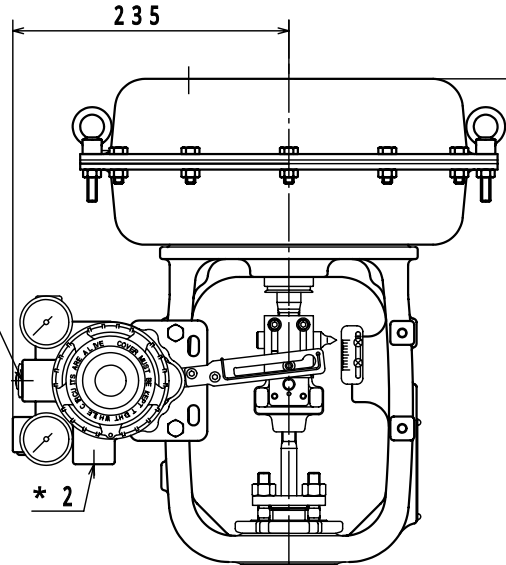
5	6
3	4
1	2

A B C D E

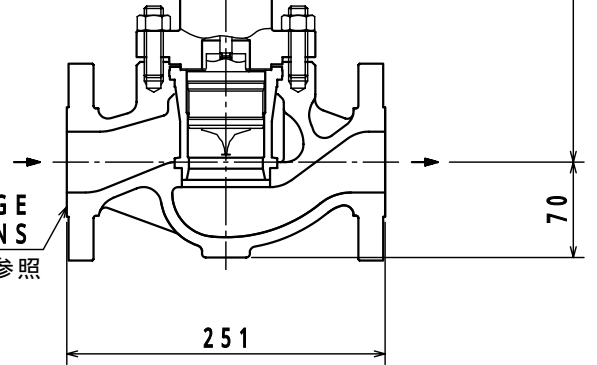
R-9YJ12-41-060,-070



*1 AIR SUP. CONN.
供給空気接続口

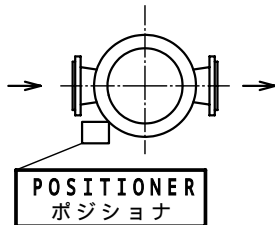


SEE FLANGE DIMENSIONS
フランジ寸法図参照



ACTUATOR TYPE 駆動部形式	HA3R
------------------------	------

STANDARD MOUNTING POSITION
標準取付位置 (No.1)



呼径 (") NOMINAL SIZE (INCH)	リフト LIFT
1-1/2	25

- * 2 ELECT. CONDUIT CONN.: M20x1.5
電気配管接続口
- * 1 AIR PIPING CONN.: 1/4NPT
空気配管接続

RATING
定格: ANSI600RF

UNIT: mm

PRESSURE BALANCE TYPE CAGE VALVE (PLAIN BONNET)
プレッシャ・バランス形ケージ調節弁 (一般形)

MODEL NO.

HC B

YAMATAKE

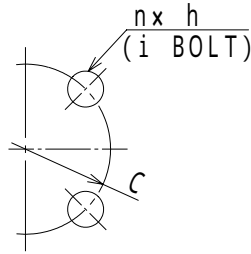
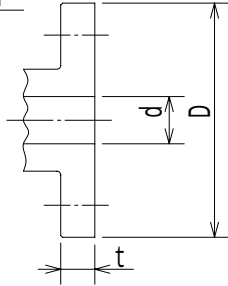
DATE SEP.11.'07
REF.

DRAWING NO.

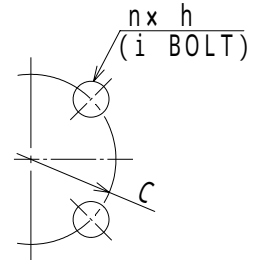
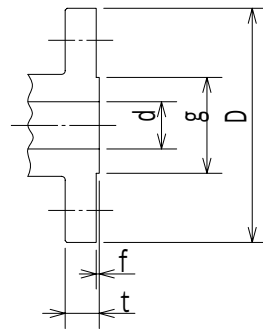
XVE-5792

5	6
3	4
199.06.28	CAD化
EV	2

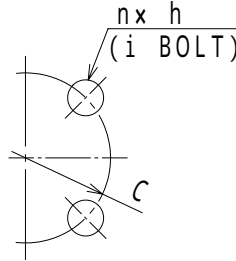
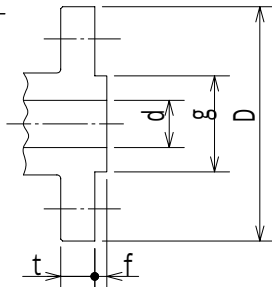
ANSI 125, 150 FF
(FLAT FACE)



ANSI 150·300 RF
(RAISED FACE)



ANSI 600 RF
(RAISED FACE)



ANSI 125 FF

SIZE (inch)	D	C	d	t	nx h	i
1	108	79.2	25	11.1	4x16	1/2
1-1/2	127	98.5	38	14.3	4x15	1/2
2	152	120.5	51	15.9	4x19	5/8
2-1/2	178	139.5	64	17.5	4x19	5/8
3	190	152.5	76	19.1	4x19	5/8
4	229	190.5	102	23.9	8x19	5/8
6	279	241.5	152	25.4	8x22	3/4
8	343	298.5	203	28.6	8x22	3/4

ANSI 150 RF, FF

SIZE (inch)	D	C	g	d	t	f	nx h	i
1/2	89	60.5	35.1	13	11.5	1.6	4x16	1/2
3/4	99	69.9	42.9	19	13.0	1.6	4x16	1/2
1	108	79.2	50.8	25	14.5	1.6	4x16	1/2
1-1/2	127	98.6	73.2	38	18.0	1.6	4x16	1/2
2	152	120.7	91.9	51	19.5	1.6	4x19	5/8
2-1/2	178	139.7	104.6	64	22.5	1.6	4x19	5/8
3	191	152.4	127.0	76	24.0	1.6	4x19	5/8
4	229	190.5	157.2	102	24.0	1.6	8x19	5/8
5	254	215.9	185.7	127	24.0	1.6	8x22	3/4
6	279	241.3	215.9	152	25.5	1.6	8x22	3/4
8	343	298.5	269.7	203	28.5	1.6	8x22	3/4
10	406	362.0	323.9	254	30.5	1.6	12x25	7/8
12	483	431.8	381.0	305	32.0	1.6	12x25	7/8

ANSI 600 RF

SIZE (inch)	D	C	g	d	t	f	nx h	i
1/2	95	66.5	35.1	13	14.5	6.4	4x16	1/2
3/4	117	82.6	42.9	19	16.0	6.4	4x19	5/8
1	124	88.9	50.8	25	18.0	6.4	4x19	5/8
1-1/2	155	114.3	73.2	38	22.5	6.4	4x22	3/4
2	165	127.0	91.9	51	25.5	6.4	8x19	5/8
2-1/2	191	149.4	104.6	64	28.5	6.4	8x22	3/4
3	210	168.1	127.0	76	32.0	6.4	8x22	3/4
4	273	215.9	157.2	102	38.5	6.4	8x25	7/8
5	330	266.7	185.7	127	44.5	6.4	8x28	1
6	356	292.1	215.9	152	48.0	6.4	12x28	1
8	419	349.3	269.7	203	56.0	6.4	12x32	1-1/8
10	508	431.8	323.9	248	63.5	6.4	16x35	1-1/4
12	559	489.0	381.0	298	67.0	6.4	20x35	1-1/4

ANSI 300 RF

SIZE (inch)	D	C	g	d	t	f	nx h	i
1/2	95	66.5	35.1	13	14.5	1.6	4x16	1/2
3/4	117	82.6	42.9	19	16.0	1.6	4x19	5/8
1	124	88.9	50.8	25	18.0	1.6	4x19	5/8
1-1/2	155	114.3	73.2	38	21.0	1.6	4x22	3/4
2	165	127.0	91.9	51	22.5	1.6	8x19	5/8
2-1/2	191	149.4	104.6	64	25.5	1.6	8x22	3/4
3	210	168.1	127.0	76	28.5	1.6	8x22	3/4
4	254	200.2	157.2	102	32.0	1.6	8x22	3/4
5	279	235.0	185.7	127	35.5	1.6	8x22	3/4
6	318	269.7	215.9	152	37.0	1.6	12x22	3/4
8	381	330.2	269.7	203	41.5	1.6	12x25	7/8
10	445	387.4	323.9	254	48.0	1.6	16x28	1
12	521	450.9	381.0	305	51.0	1.6	16x32	1-1/8

ANSI 125FF
 ANSI 150RF, FF: by ANSI B 16.5 - 1981
 ANSI 300RF: by ANSI B 16.5 - 1981
 ANSI 600RF: by ANSI B 16.5 - 1981

UNIT: mm

ANSI FLANGE DIMENSIONS
 ANSI フランジ寸法表

Yamatake Corporation

MODEL NO.

DRAWING NO.

EV-7782

A

B

C

D

E

BASIC MODELS

SELECTIONS

OPTIONAL OPTIONS SELECTIONS

AVP 300	ANALOG SIGNAL (4 ~ 20 mA DC)
AVP 301	ANALOG SIGNAL (4 ~ 20 mA DC) WITH TRAVEL TRANSMITTER

--	--	--	--	--

--	--	--	--	--

HOUSING	(AIR CONNECTION, CONDUIT)		
	WATER PROOF (Rc 1/4, G1/2)		X
	WATER PROOF (1/4 NPT, 1/2 NPT)		P
	WATER PROOF (1/4 NPT, M20 x 1.5)		Q
	TIIS FLAMEPROOF Exd CT6 (WITH PRESSURE-TIGHT CABLE PACKING ADAPTER:NOTE1) (Rc 1/4, G1/2)		E
	FM EXPLOSION-PROOF and FLAMEPROOF (1/4 NPT, 1/2 NPT)		F
	FM INTRINSICALLY SAFE (1/4 NPT, 1/2 NPT)		M
	ISSeP/CENELEC FLAMEPROOF (1/4 NPT, M20 x 1.5)		C
	KEMA/CENELEC INTRINSICALLY SAFE (1/4 NPT, M20 x 1.5)		L
	CSA EXPLOSIONPROOF (1/4 NPT, 1/2 NPT)		A
	NEPSI FLAMEPROOF (1/4 NPT, 1/2 NPT)		B
	NEPSI FLAMEPROOF (1/4 NPT, M20 x 1.5)		N
	NEPSI INTRINSICALLY SAFE and FLAMEPROOF (1/4 NPT, 1/2 NPT)		R
	NEPSI INTRINSICALLY SAFE and FLAMEPROOF (1/4 NPT, M20 x 1.5)		W
	KEMA/CENELEC INTRINSICALLY SAFE (Rc 1/4, G1/2)		V
	GOST FLAMEPROOF (1/4 NPT, M20 x 1.5)		7
	GOST INTRINSICALLY SAFE (1/4 NPT, M20 x 1.5)		8
FINISH	STANDARD		S
	CORROSION PROOF		B
	SILVER FINISH		D
POSITIONER ACTION	DIRECT (STANDARD)		D
	REVERSE		R
AIR SUPPLY PRESSURE	(RANGE OF PRESSURE GAUGE, MAXIMUM SETTING PRESSURE OF REGULATING VALVE)		
	140 Ps 150 kPa (200 kPa, 400 kPa)		1
	150 < Ps 300 kPa (400 kPa, 400 kPa)		2
	300 < Ps 400 kPa (600 kPa, 400 kPa)		3
	400 < Ps 450 kPa (600 kPa, 700 kPa)		4
450 < Ps 700 kPa (1000 kPa, 700 kPa)		5	
PRESSURE GAUGE UNIT	kPa		A
	kgf/cm ²		B
	MPa		C
	bar		D
	psi		E
	UNIT SHALL BE kgf/cm ² & psi		F
	UNIT SHALL BE kgf/cm ² & kPa		G
	UNIT SHALL BE kgf/cm ² & Mpa		H
UNIT SHALL BE kPa & kgf/cm ²		K	
UNIT SHALL BE Mpa & kgf/cm ²		L	
REGULATING VALVE WITH FILTER	NONE		X
	KZ03 REGULATING VALVE(ATTACHED ON AVP)		1
	KZ03 REGULATING VALVE(SEPARATE FROM AVP)		2
MATERIAL OF MOUNTING PLATE (PLATE/BOLTS)	NONE		X
	S5400 STANDARD ZINCING / SUS304		C
	SUS304 / SUS304		D

5	6
3	4
1	2
4	5

SMART VALVE POSITIONER

MODEL NO.
AVP300·301



DATE JAN.30.'04
REF.

DRAWING NO.
EV-3D12

BASIC MODELS

SELECTIONS

OPTIONAL SELECTIONS

AVP300	ANALOG SIGNAL (4 ~ 20 mA DC)
AVP301	ANALOG SIGNAL (4 ~ 20 mA DC) WITH TRAVEL TRANSMITTER



ACTUATOR (MOUNTING PLATE)	NONE	X X
	PSA1, 2, PSK1	Y S
	PSA3, 4, VA1 ~ 3	Y Q
	OLD TYPE PSA3, 4 (~ 1999)	Y Y
	PSA6, VA4 ~ 6	Y L
	HA1	Y A
	HA2,3 HL2,3	Y T
	HA4 HL4	Y N
	HK1	Y K
	VM12(VSP)	Y B
	VR1	Y V
	VR2,3	Y R
	RSA1	Y F
	RSA2	Y U
	GOM83S, 84S, 103S	Y G
	GOM124S	Y M
	VA1 ~ 3(OLD TYPE MOTION CONNECTOR), 800-1 ~ 3	Y W
	VA4, 5(OLD TYPE MOTION CONNECTOR), 800-4, 5	Y J
	VP5, 6	Y 1
	VP7	Y 7
SLOP560, 1000, 1000X	Y 2	
SLOP1500, 1500X	Y 3	
DAP560, 1000, 1000X	Y 4	
DAP1500, 1500X	Y 5	

OPTIONS	NONE	X
	FLAME PROOF UNIVERSAL ELBOW(SUS304, G1/2) :1pc	A
	FLAME PROOF UNIVERSAL ELBOW(SUS304, G1/2) :2pcs	C
	AIR PIPING CONN. Rc1/4 1/4NPT ADAPTER:2pcs	E
	AIR PIPING CONN. Rc1/4 1/4NPT ADAPTER:3pcs	N
	CONDUIT CONN. G1/2 1/2NPT ADAPTER:1pc	F
	CONDUIT CONN. G1/2 1/2NPT ADAPTER:2pcs	G
	DOUBLE ACTING UNIT REVERSING RELAY	W
	KZ03 TYPE FILTER:SUS	K
	SEAL TAPE NOT USE	J
	BUG RESISTANT MESH	H

NOTE 1:MODEL AVP300 WITH 1pc,MODEL AVP301 WITH 2pcs.

1	2
3	4
5	6

SMART VALVE POSITIONER

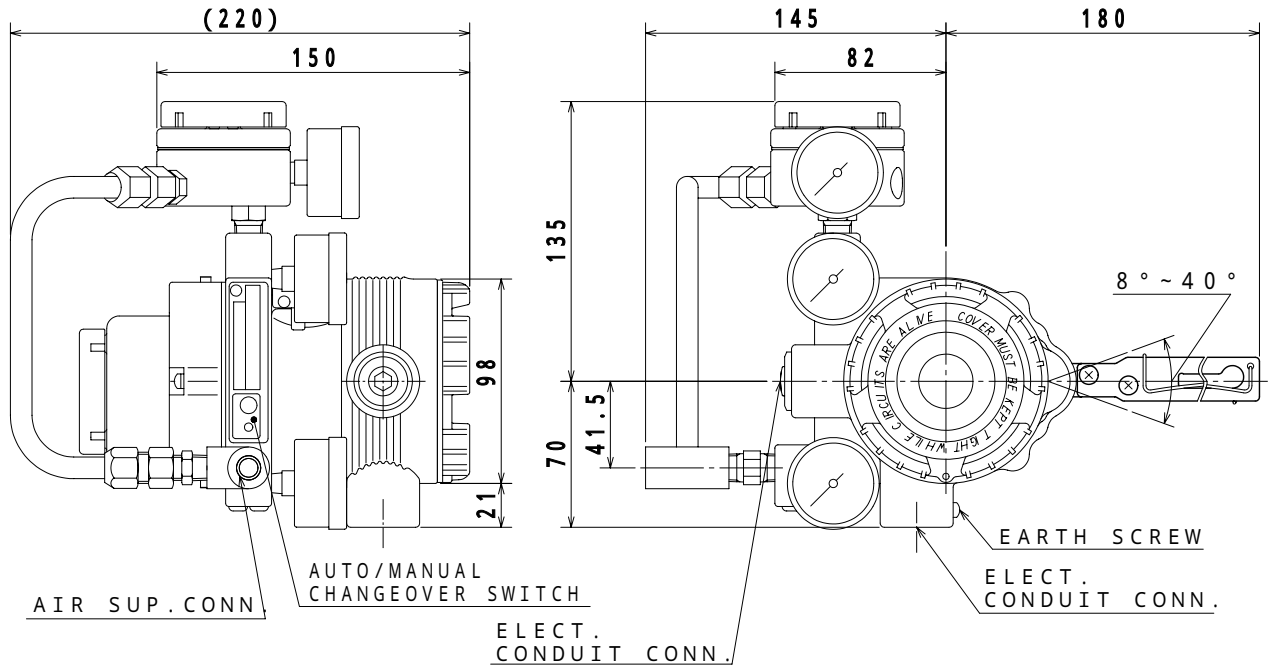
MODEL NO.
AVP300·301



DATE JAN.30.'04
REF.

DRAWING NO.
EV-3D12

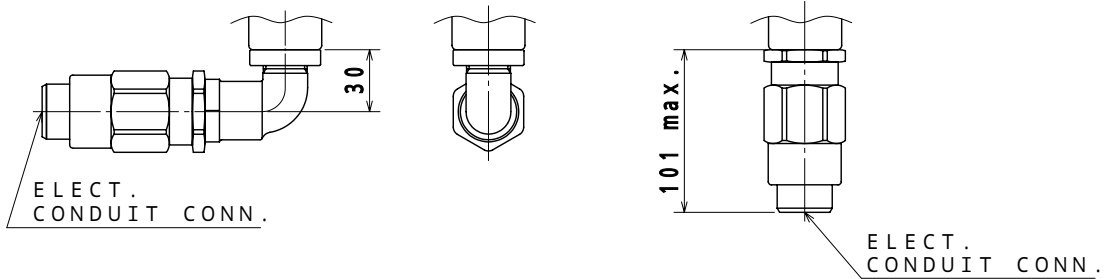
DIMENSION DRAWING



PRESSURE-TIGHT PACKING CABLE ADAPTER

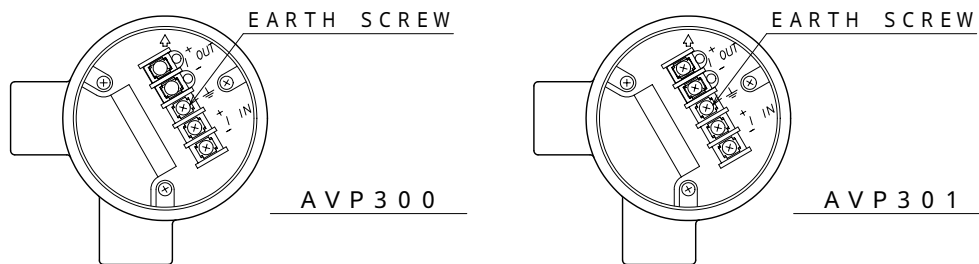
UNIVERSAL ELBOW TYPE

STRAIGHT TYPE



TERMINAL DRAWING

TERMINAL SCREW SIZE: M4



UNIT : mm

SMART VALVE POSITIONER(DOUBLE ACTING UNIT)

MODEL NO.
AVP300·301

YAMATAKE

DATE JAN.05.'04
REF.

DRAWING NO.
EV-3D12

1	2
3	4
5	6

A C D E

BASIC MODELS

SELECTIONS

OPTIONAL OPTIONS SELECTIONS

AVP 300	ANALOG SIGNAL (4 ~ 20 mA DC)
AVP 301	ANALOG SIGNAL (4 ~ 20 mA DC) WITH TRAVEL TRANSMITTER

--	--	--	--	--

--	--	--	--	--

HOUSING	(AIR CONNECTION, CONDUIT)					
	WATER PROOF	(Rc 1/4, G1/2)	X			
	WATER PROOF	(1/4 NPT, 1/2 NPT)	P			
	WATER PROOF	(1/4 NPT, M20 x 1.5)	Q			
	TIIS FLAMEPROOF Exd CT6 (WITH PRESSURE-TIGHT CABLE PACKING ADAPTER: NOTE1)	(Rc 1/4, G1/2)	E			
	FM EXPLOSION-PROOF and FLAMEPROOF	(1/4 NPT, 1/2 NPT)	F			
	FM INTRINSICALLY SAFE (1/4 NPT, 1/2 NPT)		M			
	ISSeP/CENELEC FLAMEPROOF (1/4 NPT, M20 x 1.5)		C			
	KEMA/CENELEC INTRINSICALLY SAFE (1/4 NPT, M20 x 1.5)		L			
	CSA EXPLOSIONPROOF (1/4 NPT, 1/2 NPT)		A			
	NEPSI FLAMEPROOF (1/4 NPT, 1/2 NPT)		B			
	NEPSI FLAMEPROOF (1/4 NPT, M20 x 1.5)		N			
	NEPSI INTRINSICALLY SAFE and FLAMEPROOF	(1/4 NPT, 1/2 NPT)	R			
	NEPSI INTRINSICALLY SAFE and FLAMEPROOF	(1/4 NPT, M20 x 1.5)	W			
	KEMA/CENELEC INTRINSICALLY SAFE (Rc 1/4, G1/2)		V			
	GOST FLAMEPROOF	(1/4 NPT, M20 x 1.5)	7			
	GOST INTRINSICALLY SAFE (1/4 NPT, M20 x 1.5)		8			
FINISH	STANDARD		S			
	CORROSION PROOF		B			
	SILVER FINISH		D			
POSITIONER ACTION	DIRECT (STANDARD)			D		
	REVERSE			R		
AIR SUPPLY PRESSURE	(RANGE OF PRESSURE GAUGE, MAXIMUM SETTING PRESSURE OF REGULATING VALVE)					
	140 Ps 150 kPa	(200 kPa, 400 kPa)				1
	150 < Ps 300 kPa	(400 kPa, 400 kPa)				2
	300 < Ps 400 kPa	(600 kPa, 400 kPa)				3
	400 < Ps 450 kPa	(600 kPa, 700 kPa)				4
450 < Ps 700 kPa	(1000 kPa, 700 kPa)				5	
PRESSURE GAUGE UNIT	kPa					A
	kgf/cm ²					B
	MPa					C
	bar					D
	psi					E
	UNIT SHALL BE kgf/cm2 & psi					F
	UNIT SHALL BE kgf/cm2 & kPa					G
	UNIT SHALL BE kgf/cm2 & Mpa					H
UNIT SHALL BE kPa & kgf/cm2					K	
UNIT SHALL BE Mpa & kgf/cm2					L	
REGULATING VALVE WITH FILTER	NONE					X
	KZ03 REGULATING VALVE(ATTACHED ON AVP)					1
	KZ03 REGULATING VALVE(SEPARATE FROM AVP)					2
MATERIAL OF MOUNTING PLATE (PLATE/BOLTS)	NONE					X
	S5400 STANDARD ZINCING / SUS304					C
	SUS304 / SUS304					D

5	6
3	4
1	2
4	5

SMART VALVE POSITIONER		MODEL NO. AVP300-301
YAMATAKE		DRAWING NO. EV-3D02
DATE	JAN. 30. '04	
REF.		

BASIC MODELS

SELECTIONS

OPTIONAL SELECTIONS

AVP300	ANALOG SIGNAL (4 ~ 20 mA DC)
AVP301	ANALOG SIGNAL (4 ~ 20 mA DC) WITH TRAVEL TRANSMITTER



ACTUATOR (MOUNTING PLATE)	NONE	X X
	PSA1, 2, PSK1	Y S
	PSA3, 4, VA1 ~ 3	Y Q
	OLD TYPE PSA3, 4 (~ 1999)	Y Y
	PSA6, VA4 ~ 6	Y L
	HA1	Y A
	HA2,3 HL2,3	Y T
	HA4 HL4	Y N
	HK1	Y K
	VM12(VSP)	Y B
	VR1	Y V
	VR2,3	Y R
	RSA1	Y F
	RSA2	Y U
	GOM83S, 84S, 103S	Y G
	GOM124S	Y M
	VA1 ~ 3(OLD TYPE MOTION CONNECTOR), 800-1 ~ 3	Y W
	VA4, 5(OLD TYPE MOTION CONNECTOR), 800-4, 5	Y J
	VP5, 6	Y 1
	VP7	Y 7
SLOP560, 1000, 1000X	Y 2	
SLOP1500, 1500X	Y 3	
DAP560, 1000, 1000X	Y 4	
DAP1500, 1500X	Y 5	

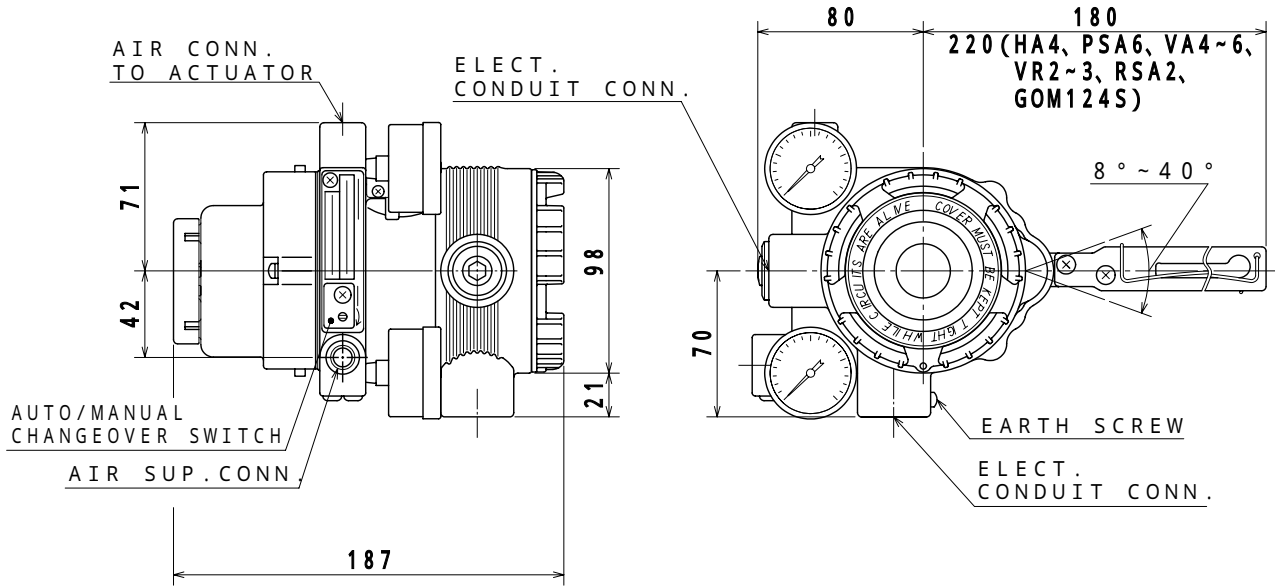
OPTIONS	NONE	X
	FLAME PROOF UNIVERSAL ELBOW(SUS304, G1/2) :1pc	A
	FLAME PROOF UNIVERSAL ELBOW(SUS304, G1/2) :2pcs	C
	AIR PIPING CONN. Rc1/4 1/4NPT ADAPTER:2pcs	E
	AIR PIPING CONN. Rc1/4 1/4NPT ADAPTER:3pcs	N
	CONDUIT CONN. G1/2 1/2NPT ADAPTER:1pc	F
	CONDUIT CONN. G1/2 1/2NPT ADAPTER:2pcs	G
	DOUBLE ACTING UNIT REVERSING RELAY	W
	KZ03 TYPE FILTER:SUS	K
	SEAL TAPE NOT USE	J
	BUG RESISTANT MESH	H

NOTE 1:MODEL AVP300 WITH 1pc,MODEL AVP301 WITH 2pcs.

1	2
3	4
5	6

SMART VALVE POSITIONER		MODEL NO. AVP300·301
YAMATAKE		DRAWING NO. EV-3D02
DATE	JAN.30.'04	
REF.		

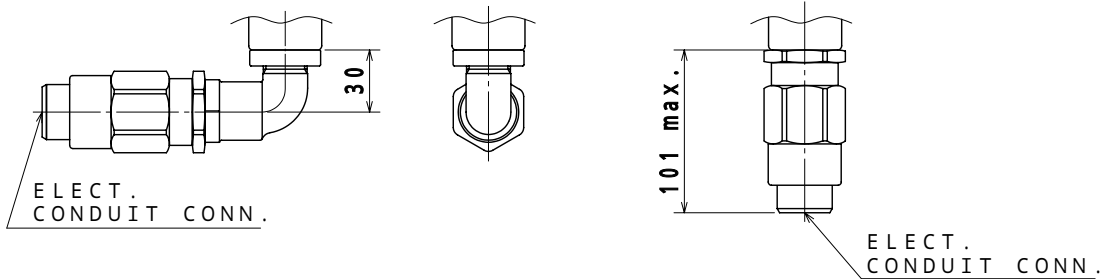
DIMENSION DRAWING



PRESSURE-TIGHT PACKING CABLE ADAPTER

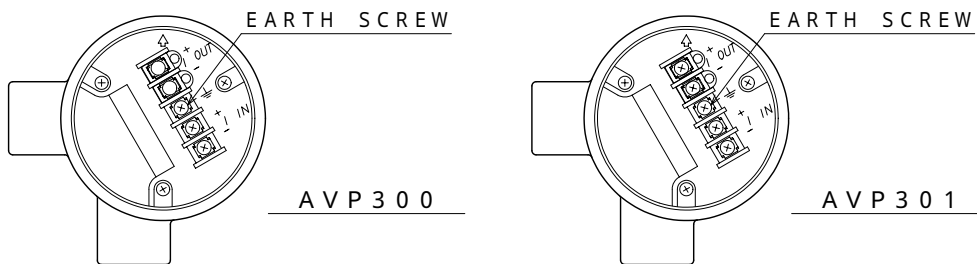
UNIVERSAL ELBOW TYPE

STRAIGHT TYPE



TERMINAL DRAWING

TERMINAL SCREW SIZE: M4



UNIT : mm

SMART VALVE POSITIONER

MODEL NO.
AVP300·301



DATE JAN.05.'04
REF.

DRAWING NO.
EV-3D02

1	2
3	4
5	6

A B C D E