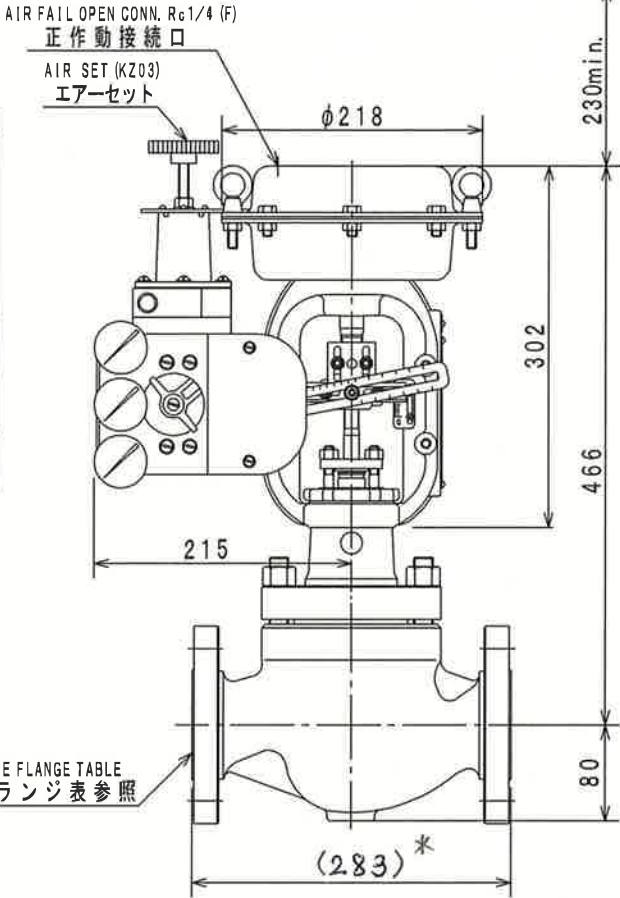
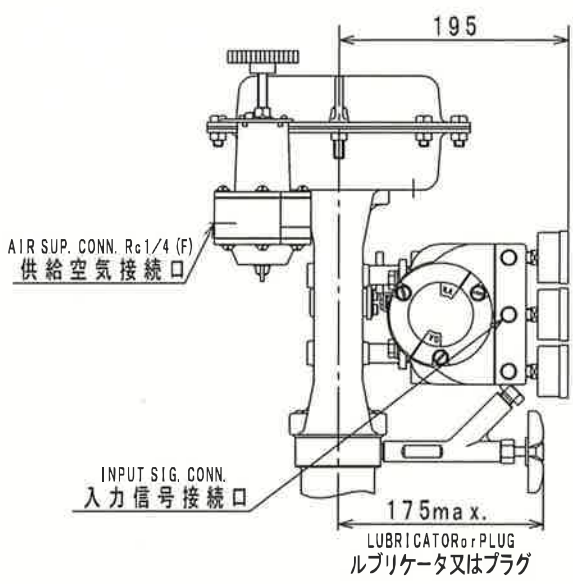


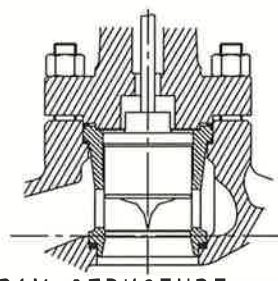
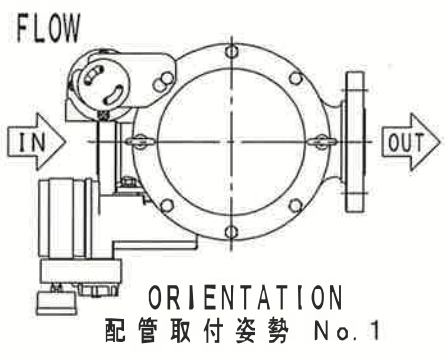
Tag. No. FICA-9

1



REFERENCE

3



4

PRODUCTION No. 工事番号	FICA-9
Tag No.	

UNIT: mm

Press. Balanced Cage Type Control Valve プレッシャバランス形ケージ調節弁	NOMINAL SIZE (INCH) 口径 (B)	RATING 圧力定格 (フランジ規格年度)	END CONNECTION 接続形式	BONNET TYPE 上蓋形式	ACTUATOR 操作器	VALVE ACTION 弁作動	TRAVEL トラベル	WEIGHT 製品質量 (kg)
MODEL No. HCB	2	ANSI 300 (1981)	T&G (G)*	PLAIN TYPE 常温形	PSA1	AIR TO CLOSE 正作動	25	38.5

5

Yamatake Corporation

DRAWING No.

Table 6. Dimensions

Valve Size (in.)	Actuator Model no.	A	E	D	H		B
					Plain bonnet	Extension bonnet	
3/4	HA2D, R	61.4	220	55	495	625	281
	HA3D, R	61.4	220	55	565	695	363
1	HA3D, R	71.4	250	65	585	710	363
1½	HA4D, R	81.4	285	75	820	975	520

Note) "H" dimensions are applicable when a handwheel is not provided. When a handwheel actuator is used, add the dimensions of handwheel specified on Specification. (No. SS2-8213-0500)

REFERENCE

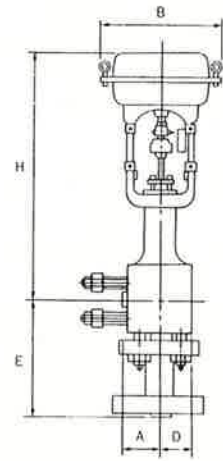


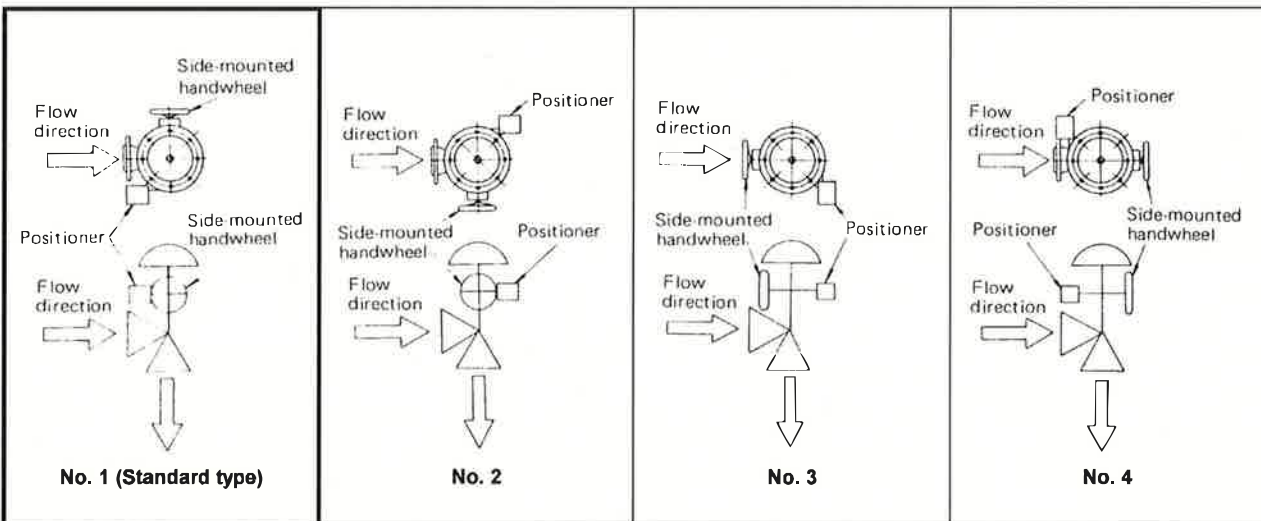
Figure 2. Dimensions

Table 7. Weight

(Unit:kg)

Valve size (in.)	Actuator model no.	Plain bonnet	Extension bonnet
3/4	HA2D, R	63	73
	HA3D, R	76	91
1	HA3D, R	101	111
1½	HA4D, R	188	208

Note) Weights shown above are applicable when a handwheel is not provided. When a handwheel actuator is used, add the weights of handwheel specified on Specification Sheet. (No. SS2-8213-0500)



Note) When you require installation of the valve in a position other than the standard installation position, indicate the required installation position by the installation position number.

Figure 3. Pipe installation position

Ordering Information

When ordering, please specify :

- | | |
|--|---|
| <ul style="list-style-type: none"> 1) Model number : HAH. 2) Valve size or Cv required. 3) Body rating of type of end connection. 4) Body and trim material, necessity of hardening. 5) Valve characteristics and type of plug 6) Type of actuator, necessity of manual handle, supply air pressure. 7) Valve action (direct or reverse) 8) Necessity of positioner, pressure regulator with filter. | <ul style="list-style-type: none"> 9) Necessity of special spec. such as oil-free, free from copper, etc. 10) Name of flow medium. 11) Normal flow and maximum required. 12) Pressure of flow medium, upstream and downstream pressure (at fully closed and fully opened). 13) Temperature and specific gravity of flow meium 14) Viscosity of flow medium, inclusive or exclusive of slurry. 15) Direction sof medium flow. |
|--|---|

Tag No. LICA-36A

No. SS2-HAH100-0100 (Rev.1)

Table 6. Dimensions

Valve Size (in.)	Actuator Model no.	A	E	D	H		B
					Plain bonnet	Extension bonnet	
3/4	HA2D, R	61.4	220	55	495	625	281
	HA3D, R	61.4	220	55	565	695	363
1	HA3D, R	71.4	250	65	585	710	363
1½	HA4D, R	81.4	285	75	900	975	520

Note) "H" dimensions are applicable when a handwheel is not provided. When a handwheel actuator is used, add the dimensions of handwheel specified on Specification. (No. SS2-8213-0500)

REFERENCE

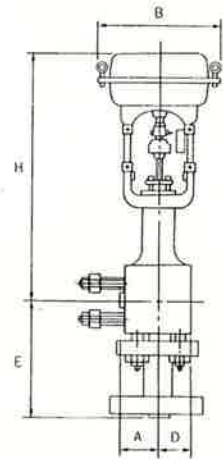


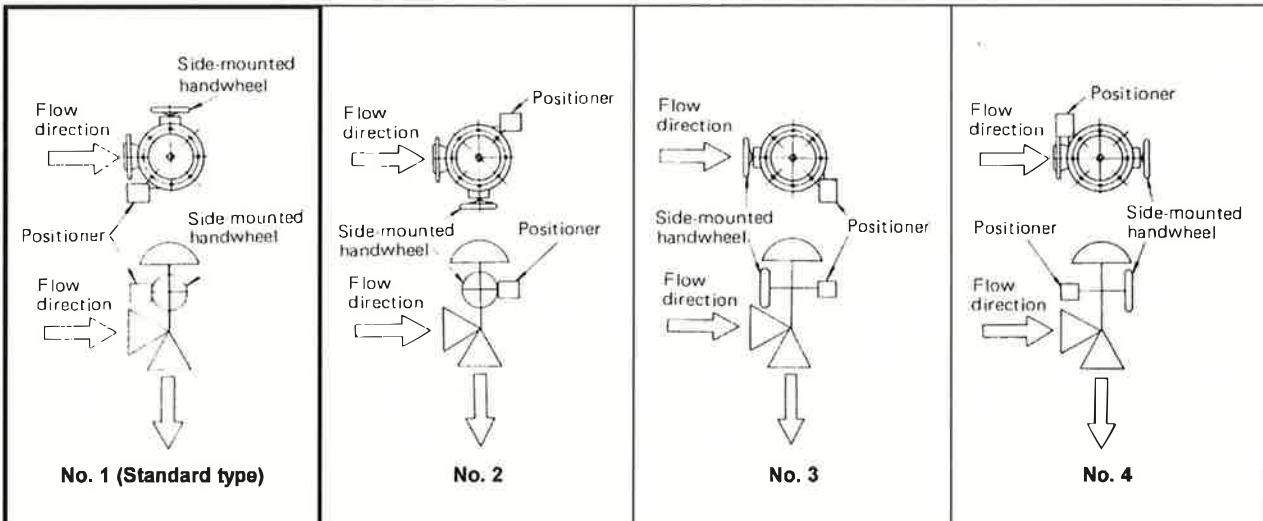
Figure 2. Dimensions

Table 7. Weight

(Unit:kg)

Valve size (in.)	Actuator model no.	Plain bonnet	Extension bonnet
3/4	HA2D, R	63	73
	HA3D, R	76	91
1	HA3D, R	101	111
1½	HA4D, R	188	208

Note) Weights shown above are applicable when a handwheel is not provided. When a handwheel actuator is used, add the weights of handwheel specified on Specification Sheet. (No.SS2-8213-0500)



Note) When you require installation of the valve in a position other than the standard installation position, indicate the required installation position by the installation position number.

Figure 3. Pipe Installation position

Ordering Information

When ordering, please specify :

- | | |
|--|---|
| <ul style="list-style-type: none"> 1) Model number : HAH. 2) Valve size or Cv required. 3) Body rating of type of end connection. 4) Body and trim material, necessity of hardening. 5) Valve characteristics and type of plug 6) Type of actuator, necessity of manual handle, supply air pressure. 7) Valve action (direct or reverse) 8) Necessity of positioner, pressure regulator with filter. | <ul style="list-style-type: none"> 9) Necessity of special spec. such as oil-free, free from copper, etc. 10) Name of flow medium. 11) Normal flow and maximum required. 12) Pressure of flow medium, upstream and downstream pressure (at fully closed and fully opened). 13) Temperature and specific gravity of flow meium 14) Viscosity of flow medium, inclusive or exclusive of slurry. 15) Direction sof medium flow. |
|--|---|