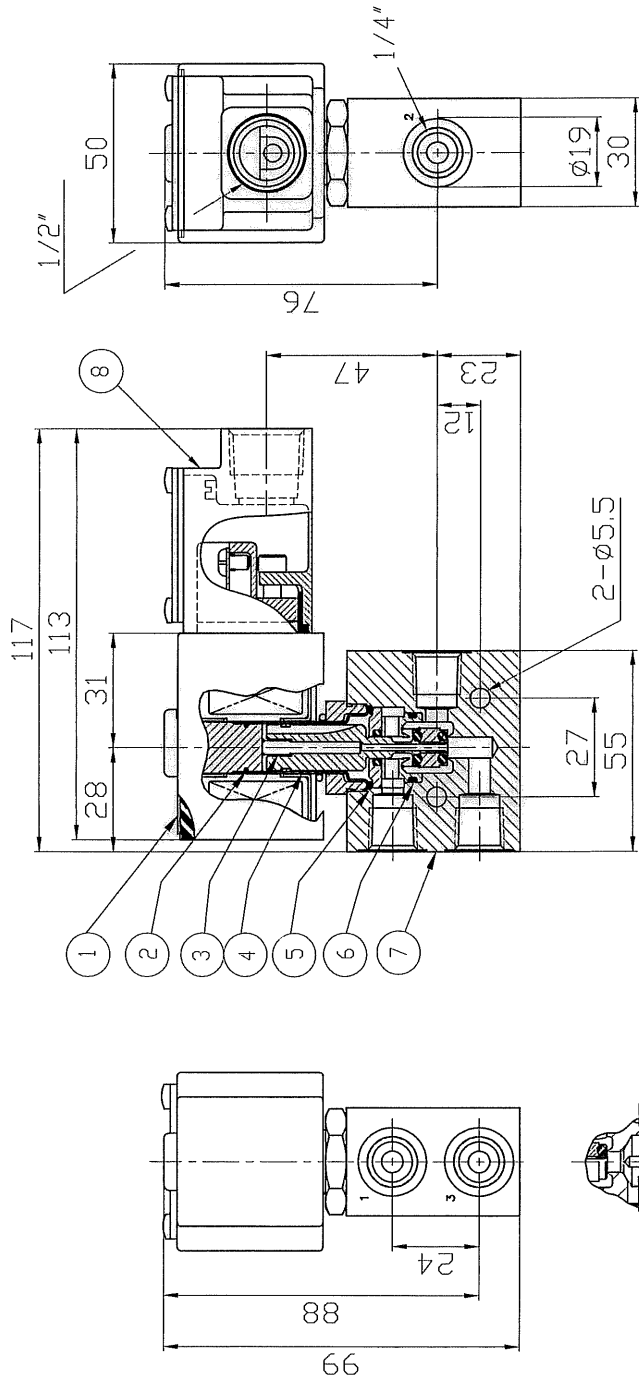


*INDICATES ITEMS SUPPLIED
IN REBUILD KIT.

PARTS LIST		
ITEM	PART NAME	QTY.
1	SOLENOID ASSY	1
2	SOL. BASE SUB-ASSY	1
3	SPRING	1
4	CORE/INSERT	1
5	GASKET	1
6	GASKET	1
7	BODY	1
8	JUNCTION BOX	1
9	GASKET	1
10	MANUAL OPERATOR ASSY	1



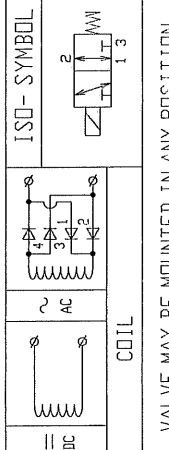
JKF8327G41	JKF8327G41	NPT1/4
JKFJ327G41	JKFJ327G41	RC1/4
CABLE ENTRY CONN. NPT1/2	CABLE ENTRY CONN. G1/2	PIPE PORT CONN.
CATALOG NUMBER		

MANUAL OPERATOR
FOR MANUAL OPERATOR ADD SUFFIX "MO" TO CATALOG NUMBER

MANUAL OPERATION
PUSH SPRING LOADED KNOB AND TURN KNOB UNTILL
THREAD IS FULLY ENGAGED AND STOP IS HITTED.

ELECTRICAL OPERATION
LOOSEN KNOB UNTILL THREAD ENGAGEMENT IS LOST

BULL. : _JKF_327G41 , 3 WAY SOLENOID VALVE
PIPE CONN. : SEE TABLE
ORIFICE DIA. : 5.7mm
BODY MATERIAL. : BRASS
SEATING. : BUNA-N
ENCLOSURE. : NEMA1, 2, 3, 3S, 4&4X GENERAL PURPOSE WATERTIGHT
WATTS. : 12.0W/AC, 11.6W/DC



VALVE MAY BE MOUNTED IN ANY POSITION.
FOR OPTIMUM PERFORMANCE MOUNT VALVE
WITH SOLENOID VERTICAL AND UPRIGHT.

SCALE	APPROX. DATE	3/19/02
1:1	CK'D BY	3/19/02
	DRG. NO.	3/19/02
	ISSUE	2/19/02
	SR. NO.	
	BY	
	DATE	
	APP.	
	DATE	
HE-279-907-X1	CHANGE LETTER	
	FULL SIZE	A2

ASCO (Japan) Co., Ltd.