

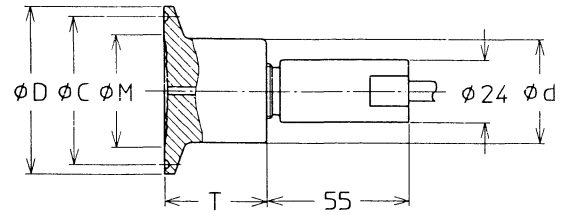
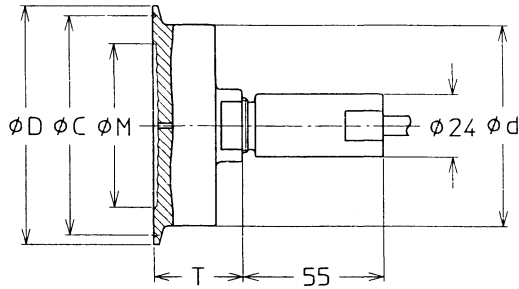
**Dimensions**

Units: mm

**Flush Type**

3S, 4S

2S



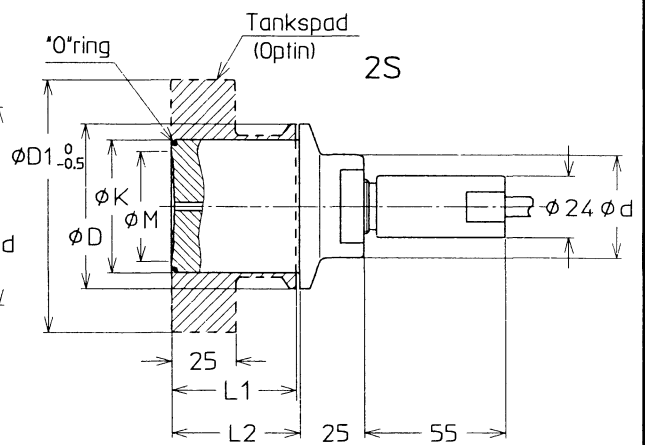
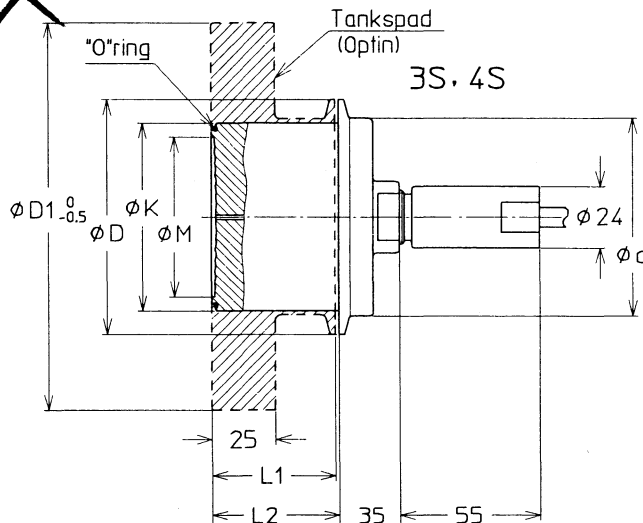
**Dimensions**

CODE No.		Fetule Size	$\phi D$	$\phi d$	$\phi C$	$\phi M$	T
Standard	Rating						
F	X	IDF 4S	119	102.5	110	90	35
		IDF 3S	91	76.7	83.5	62	35
		IDF 2S	64	40	56.5	43	40

**Extended Type Tankspad**

3S, 4S

2S



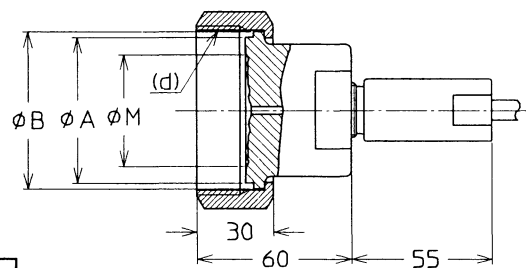
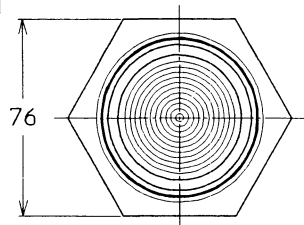
**Length of Extended Parts**

Depth of Tankspad (L1)	Length of Extension (L2)
50	51
100	101.5

**Dimensions**

CODE No.		Fetule Size	$\phi D$	$\phi d$	$\phi K$	$\phi M$	Tankspad Dim. $\phi D1$
Standard	Rating						
F	X	IDF 4S	119	102.5	101.5	90	200
		IDF 3S	91	76.7	72.9	62	150
		IDF 2S	64	40	51.8	43	98

**Hexagon Nut Type**



**Dimensions**

CODE No.		Nominal size (d)	D	$\phi M$	$\phi A$	$\phi B$
Standard	Rating					
F	X	IDF 2S	76	43	56.2	60.5

0	104-10-19	T.F. / S.F.			
1					
2					
3					
4					
5					

ST3000 Series 900 Clamped Fitting Dimensional Table

MODEL NO. Sanitary Dimensional Table

**YAMATAKE**

DATE 04. 10. 19 REF.

DRAWING NO. ESH-H0430-1

A

B

C

D

E