

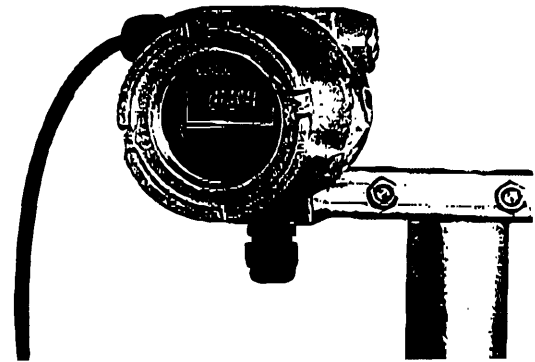
## CP SERIES 2-WIRE TYPE CONDUCTIVITY TRANSMITTER Models: ECP-20T/SECP-20T

### FEATURES

- Rigid aluminium enclosure with free angle mounting.
- Intrinsically safe with IEC (Ex) approval. (Pending) (Model SECP-20T).

### SPECIFICATIONS

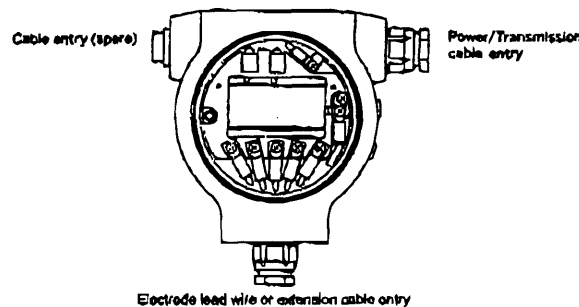
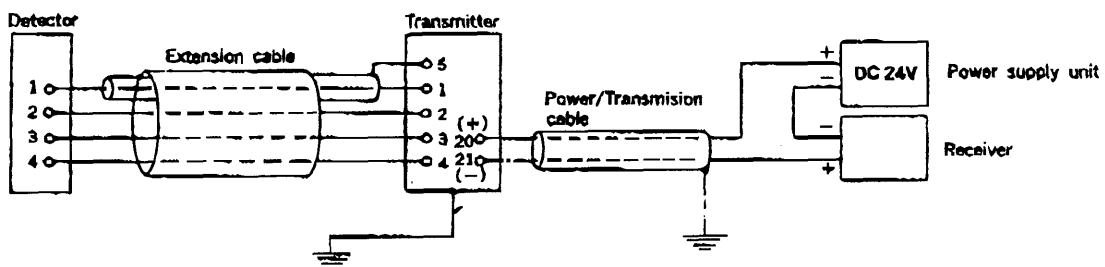
<b>Product Name</b>	: 2-wire type conductivity transmitter.
<b>Measurement Object</b>	: Electrical conductivity of solution
<b>Measurement Method</b>	: Electrode
<b>Display</b>	: LCD digital indication.
<b>Resolution</b>	: 0.001 $\mu$ S/cm, 0.1 $^{\circ}$ C
<b>Transmission Output</b>	: 2-wire system, 4~20mA DC, isolated.
<b>Max. Load Resistance</b>	: 750 $\Omega$ when power supply voltage is 24V DC. (Max load resistance = 50 x [Vdc-9]).
<b>Measurement Range</b>	: Conductivity selected as follows: 1) 0~2.00/5.00/10.00 $\mu$ S/cm at 25 $^{\circ}$ C 2) 0~20.00/50.00/100.00 $\mu$ S/cm at 25 $^{\circ}$ C 3) 0~200/500/1000 $\mu$ S/cm at 25 $^{\circ}$ C 4) 0~2.00/5.00/10.00mS/cm at 25 $^{\circ}$ C Temperature (display only) 0~100 $^{\circ}$ C.
<b>Power Supply</b>	: 24V DC operational at 9~30V DC, depending on load resistance.
<b>Power Consumption</b>	: 0.6VA or less.
<b>Repeatability</b>	: Within $\pm 0.5\%$ FS (by equivalent input).
<b>Linearity</b>	: Within $\pm 1\%$ FS (by equivalent input).
<b>Temp. Compensation Range</b>	: ECP-20T; -5~120 $^{\circ}$ C SECP-20T; -5~105 $^{\circ}$ C
<b>Ambient Temperature</b>	: -20~55 $^{\circ}$ C



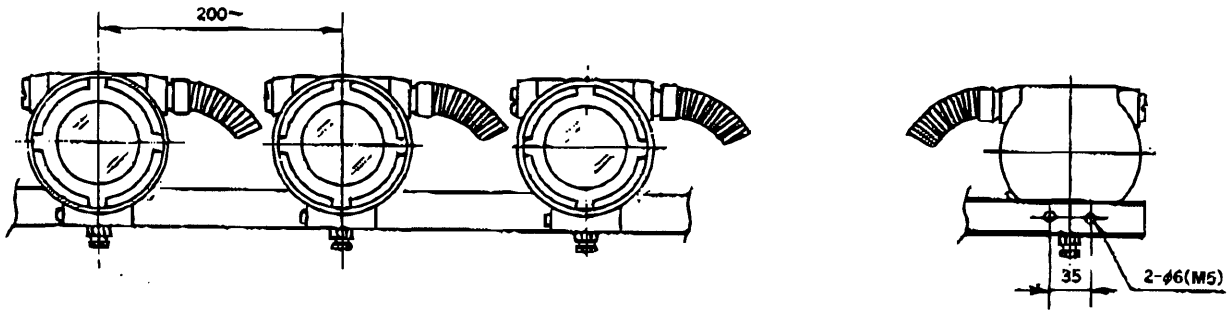
<b>Ambient Humidity</b>	: 99% RH or less.
<b>Enclosure</b>	: IP 65.
<b>Mounting</b>	: 50A (2 inches, 60.5mm O.D) pipe mount or wall mount.
<b>Cable Entry</b>	: NPT 1/2"
<b>Material</b>	
Main body	: Aluminium alloy casting.
Window	: Glass.
<b>Paint Colour</b>	: Blue.
<b>Weight</b>	: Approx. 2kg.
<b>Sun Protection</b>	: Hood is available for protection from direct sunlight (for pipe mount installation), (optional).

**Note:** Extension cable (model EC-10) is recommended to extend cable between transmitter and detector. Extension cable shall be separated from noise source such as power line.

### WIRING DIAGRAM



**INSTALLATION**



**OPTIONAL ACCESSORIES**

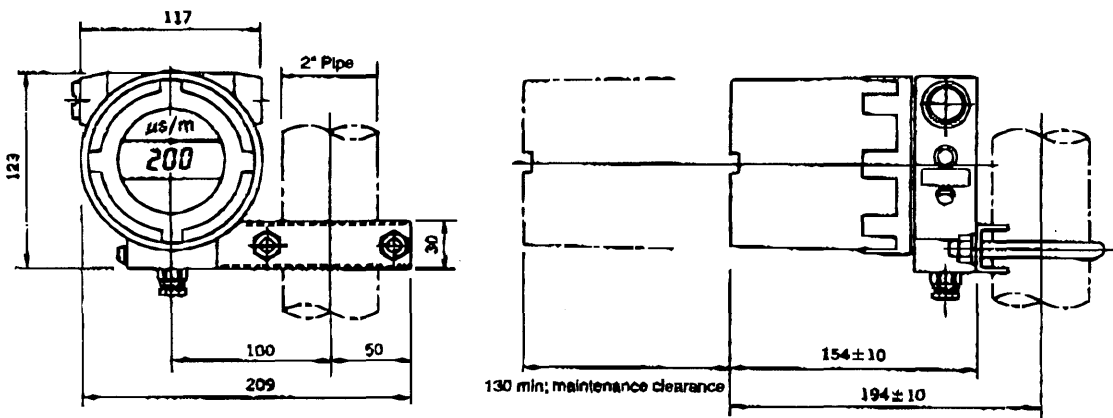
Power units and combined meter-relay/power units are available from DKK-TOA. To be specified when placing order.

- 1) Power Unit**
- Model : PA-24
  - Output Voltage Rating : 24V DC  $\pm$  1V
  - Output Current Rating : 2~22mA (not suitable for parallel connection of two instruments).
  - Power Requirements : Specify one of the following:  
100V, 110V, 115V, 120V, 200V or 220V AC  $\pm$  10% 50 / 60Hz.
  - Ambient Temperature : -5~55°C.
  - Construction : Indoor use, plug in type.
  - Weight : Approx. 300g.
- \* 4~20mA DC output signal is available from the terminal block.

**2) Bar Graph Meter-relay with 24V Power Supply**

- Model : BMR-24
- Output Voltage : 24V DC  $\pm$  1V.
- Input Signal : DC4~20mA (Input resistance 10 $\Omega$ ).
- Alarms : Four contacts; High-high, High, Low and Low-low limits.  
Contact rating...125V, 0.5A.
- Scale : To be specified on order placement.
- Scale Length : 100mm.
- Indication Element : Red colour LED, 101 dots.
- Power Requirements : 85~264V AC, 50 / 60Hz.
- Power Consumption : Approx. 5Va
- Ambient Conditions : 0~45°C, 40~80%RH.
- Weight : Approx. 450g.

**DIMENSIONS** units: mm



**DKK-TOA CORPORATION**

**CAUTION** Do not operate products before consulting instruction manual.

International Operations:  
 DKK-TOA Corporation  
 29-10, 1-Chome, Takadanobaba, Shinjuku-ku, Tokyo 169-8648 Japan  
 Tel: +81-3-3202-0225 Fax: +81-3-3202-5685

Representative Office (Europe):  
 DKK-TOA European Representative  
 St. Johns Innovation Centre, Cowley Rd., Cambridge CB4 0WS UK.  
 Tel: +44 (0)1223-526471 Fax: +44 (0)1223-709239

<http://www.toadkk.co.jp> information and specifications are for a typical system and are subject to change without notice.

