

Internal float type

T: Top connection

[Unit: mm]

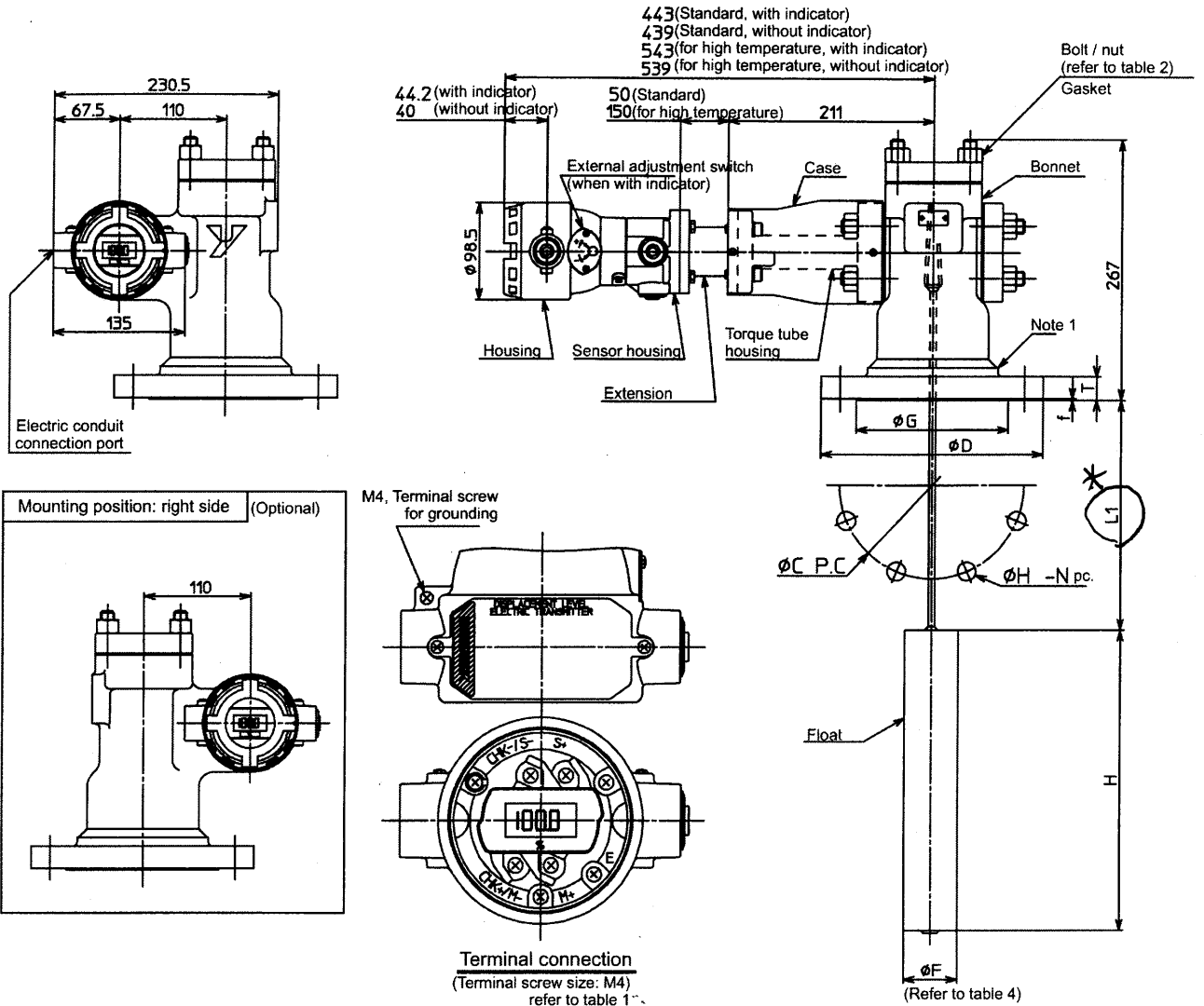


Table 1. Terminal

Symbol	Description
S+, S-	Power supply and output signal terminal
CHK+, CHK-	Terminal for check meter
M+, M-	Terminal for ammeter installed outside
E	Ground terminal

Table 2. Bolt / nut material

	Bolt / nut material
U, M, A, E	SNB7 / S45C *
D, W	SUS304/SUS304

* When Y131 is specified, bolt/nut material shall be SUS304/SUS304.

Table 4. Size H

Measuring range (mm)	H
0-300	300
0-350	350
0-400	400
0-500	500
0-600	600
0-700	700
0-800	800
0-1000	1000
0-1200	1200
0-1500	1500
0-2000	2000

Table 3. Connecting flange size

Flange rating		∅D	∅G	T	f	∅C	∅H-N
80 mm	JIS 10K RF	185	126	18	2	150	19-8
100 mm		210	151	18	2	175	19-8
125 mm		250	182	20	2	210	23-8
3 in.	JPI ANSI 150 RF	190	127	24	1.6	152.4	19-4
4 in.		229	157.2	24	1.6	190.5	19-8
5 in.		254	185.6	24	1.6	215.9	22-8
80 mm	JIS 20K RF	200	132	22	2	160	23-8
100 mm		225	160	24	2	185	23-8
125 mm		270	195	26	2	225	25-8
80 mm	JIS 30K RF	210	140	28	2	170	23-8
100 mm		240	160	32	2	195	25-8
125 mm		275	195	36	2	230	25-8
3 in.	JPI ANSI 300 RF	210	127	28.5	1.6	168.1	22-8
4 in.		254	157.2	32	1.6	200.2	22-8
5 in.		279	185.6	35.5	1.6	235	22-8

* MUST BE SPECIFY WHEN ORDERING.

Note) 1: When pressure rating is JIS 10K, hub shown in the figure above will not be provided.