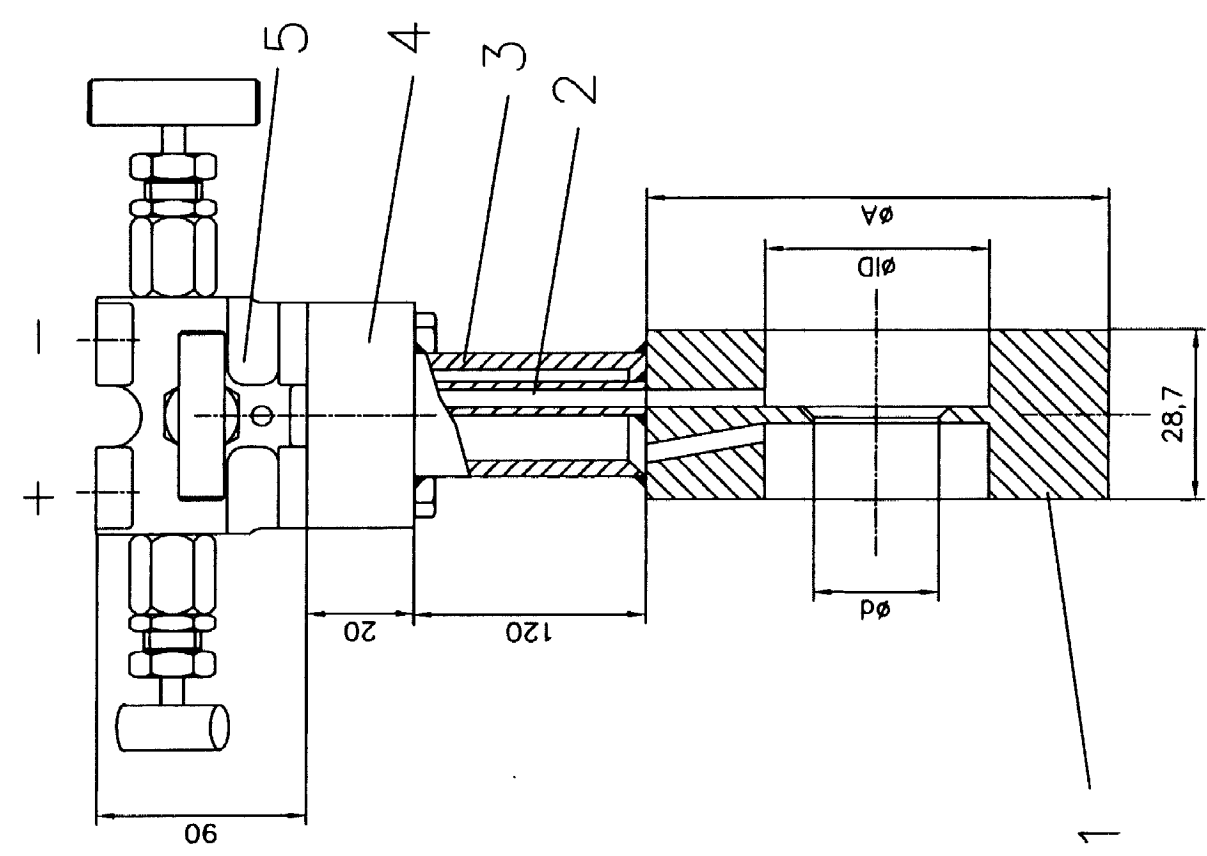


Client	Yokogawa
order no.:	
Tag:	
size	1/2" ANSI, RF-SF
rating	150 lbs.
orifice bore ϕ d	
pipe ID	17,08 mm
dimension A	47,5 mm
material	SS316Ti
range:	
d/p-range:	
quantity	

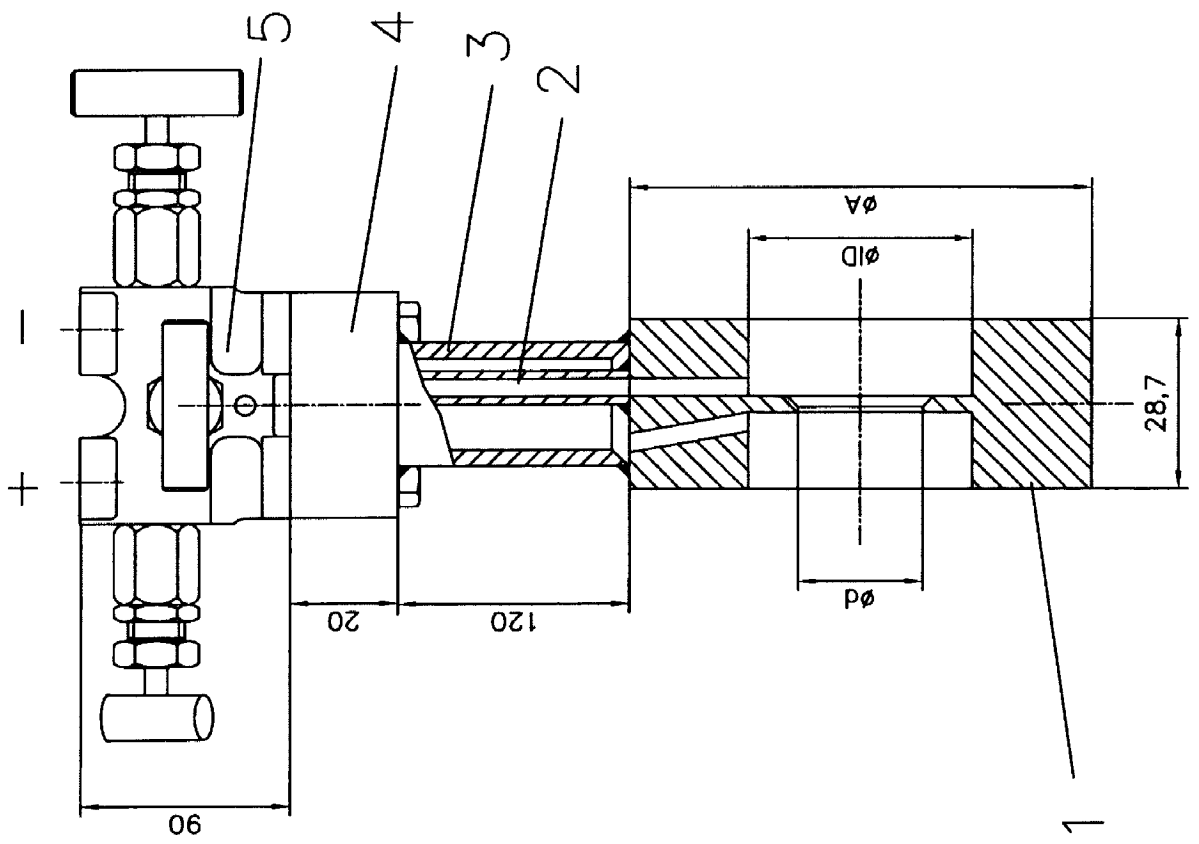


pipe line	medium	mounting of the flow sensor depend on the pipe line (horizontal or vertical)
<input checked="" type="checkbox"/> horizontal	<input checked="" type="checkbox"/> gas	<input checked="" type="checkbox"/> or <input type="checkbox"/>
<input type="checkbox"/> vertical	<input type="checkbox"/> fluid	<input type="checkbox"/> or <input type="checkbox"/>
<input type="checkbox"/> up stream	<input type="checkbox"/> gas	<input type="checkbox"/> or <input type="checkbox"/>
<input type="checkbox"/> down stream	<input type="checkbox"/> fluid	<input type="checkbox"/> or <input type="checkbox"/>

5	3-way manifold	1	316L
4	flange plate	1	316Ti
3	pulse pipe ϕ 26,7 x 2,87 mm	1	EN10216 316Ti
2	pulse pipe ϕ 8 x 1 mm	1	EN10216 316Ti
1	orifice	1	ISO5167-1 316Ti
item description		pc.	standards/dwg. material

Benennung:			
Compact Orifice with manifold			
Type: BL405-DN1/2" 150 Lbs RF			
dated	name	made	Form A.4
13.04.2010	K.Brumm	INTRA-AUTOMATION GmbH	
Gez.		Otto-Hahn-Straße 20	
Gepr.		41515 Grevenbroich	
Norm			
drawing no.:			Rev. page
BL405-0.5"-150-54747			0 1/1
Erst. für:			DOS-Bez.:

Client	Yokogawa
order no.:	
Tag.:	
size	1" ANSI, RF-SF
rating	150 lbs.
orifice bore ϕ d	
pipe ID	27,86 mm
dimension A	66,7 mm
material	SS316Ti
range:	
d/p-range:	
quantity	

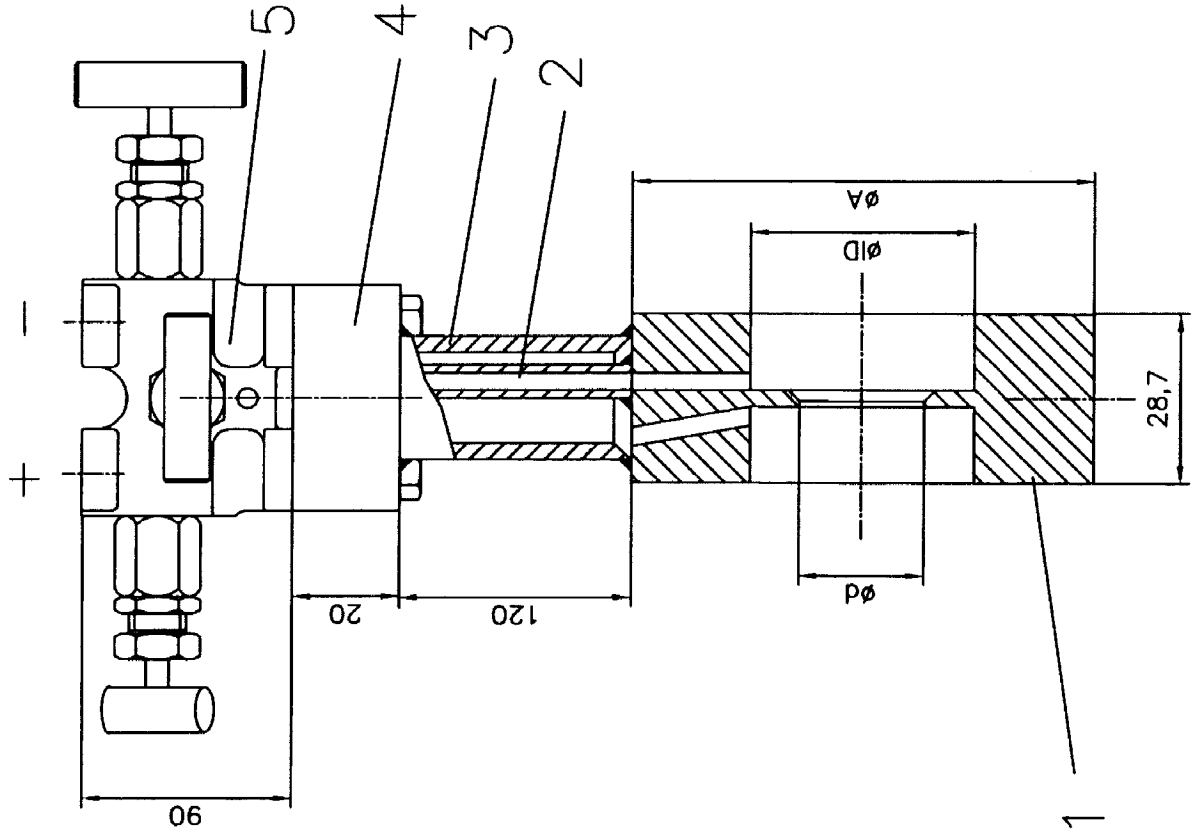


pipe line	medium	mounting of the flow sensor depend on the pipe line (horizontal or vertical)
<input checked="" type="checkbox"/> horizontal	<input checked="" type="checkbox"/> gas	<input checked="" type="checkbox"/> \otimes or <input type="checkbox"/> \odot
<input type="checkbox"/> vertical	<input type="checkbox"/> fluid	<input type="checkbox"/> \otimes or <input type="checkbox"/> \odot
<input type="checkbox"/> up stream	<input type="checkbox"/> gas	<input type="checkbox"/> \otimes or <input type="checkbox"/> \odot
<input type="checkbox"/> down stream	<input type="checkbox"/> fluid	<input type="checkbox"/> \otimes or <input type="checkbox"/> \odot

5	3-way manifold	1	316L
4	flange plate	1	316Ti
3	pulse pipe ϕ 26,7 x 2,87 mm	1	EN10216 316Ti
2	pulse pipe ϕ 8 x 1 mm	1	EN10216 316Ti
1	orifice	1	ISO5167-1 316Ti
Item description	pc.	standard/req.	material

Benennung:			
Compact Orifice with manifold			
Type: BL405-DN1" 150 Lbs RF			
dated	name	mode	Form
04.01.2010	K.Brumm		A4
Gez.	INTRA-AUTOMATION GmbH		
Gepr.	Otto-Hahn-Strabe 20		
Norm	41515 Grevenbroich		
drawing no.:	BL405-1,0"-150-54747		
Rev.	0		
page	1/1		
Item modify	dated/home	DOS-Bez.:	
Ursprung:			

Client	Yokogawa
order no.:	
Tag:	
size	1 1/2" ANSI, RF-SF
rating	150 lbs.
orifice bore ϕ d	
pipe ID	40,94 mm
dimension A	85,7 mm
material	SS316Ti
range:	
d/p-range:	
quantity	



pipe line	medium	mounting of the flow sensor depend on the pipe line (horizontal or vertical)
<input checked="" type="checkbox"/> horizontal	<input checked="" type="checkbox"/> gas	<input checked="" type="checkbox"/> or <input type="checkbox"/>
<input type="checkbox"/> vertical	<input type="checkbox"/> fluid	<input type="checkbox"/> or <input type="checkbox"/>
<input type="checkbox"/> up stream	<input type="checkbox"/> gas	<input type="checkbox"/>
<input type="checkbox"/> down stream	<input type="checkbox"/> fluid	<input type="checkbox"/>

5	3-way manifold	1	316L
4	flange plate	1	316Ti
3	pulse pipe ϕ 26,7 x 2,87 mm	1	EN10216 316Ti
2	pulse pipe ϕ 8 x 1 mm	1	EN10216 316Ti
1	orifice	1	ISO5167-1 316Ti
item description		p.c.	standard/avg. material

Benennung:			
Compact Orifice with manifold			
Type: BL405-DN1/2" 150 Lbs RF			
dated	name	made	Form A4
13.04.2010	K.Brumm	INTRA-AUTOMATION GmbH	
Gez.		Otto-Hahn-Strabe 20	
Gepr.		41515 Grevenbroich	
Norm			
drawing no.:			Rev. page
BL405-0.5" -150-54747			0 1/1
item/modify	date/name		Erz./Bez.:
			005-Bez.: